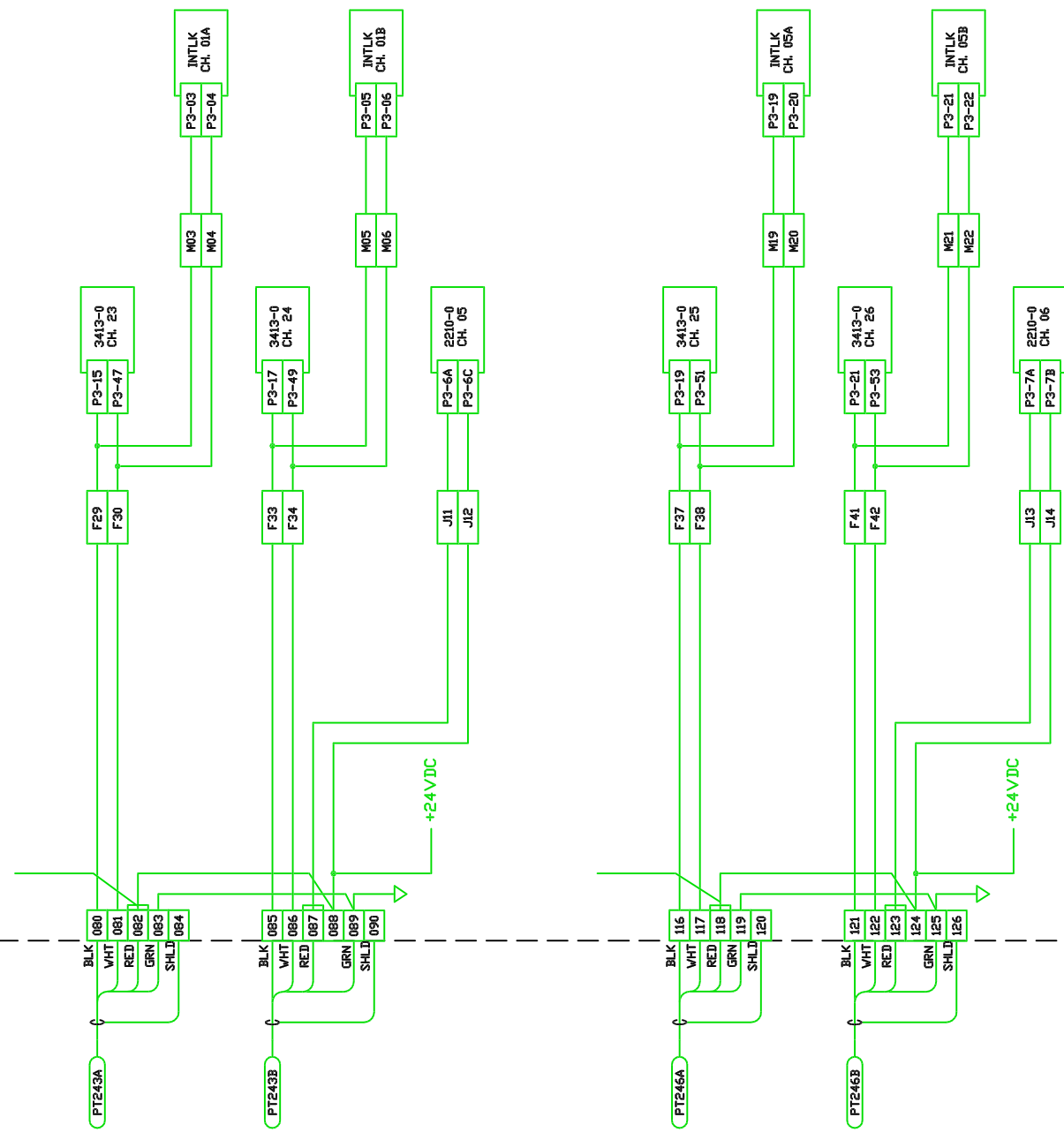


PSI CDS

PSI CDS



LIGO CALIFORNIA INSTITUTE OF TECHNOLOGY MASSACHUSETTS INSTITUTE OF TECHNOLOGY	
VCMS ELECTRICAL DIAGRAM WA LEFT MID STATION BEAM TUBE GAUGE PAIRS	
SCALE	SIZE/DWG. NO.
CAB FILE	B
D961361-A-C	D961361-A-C
1361S1C0	1 DF 1
SHEET	1
REV.	00
VER.	01

CURRENT REVISION APPROVAL	
DATE	9-9-96
GROUP	CDS
SIGNATURE	
DESIGNED	TONY T.
CHECKED	R. Back

DATE	1/3/97
DESCRIPTION	A Initial Release per ECN E970001-00-C
SHEETS EFFECTED	
DATE	
DESCRIPTION	
ISSUE DESCRIPTION	

REV	
DESCRIPTION	
USED IN	
NEXT ASS'Y	

UNLESS OTHERWISE SPECIFIED  
DIMENSIONS ARE IN INCHES  
TOLERANCES:  
FRACTIONS ± .005  
DECIMALS ± .001  
DIMENSIONS IN PARENTHESIS ARE  
TYPICAL  
TWO PLACE DECIMALS ± .001  
TWO PLACE DECIMALS ± .001  
DIMENSIONS IN PARENTHESIS ARE  
TYPICAL  
TWO PLACE DECIMALS ± .001  
DIMENSIONS IN PARENTHESIS ARE  
TYPICAL  
TWO PLACE DECIMALS ± .001

DESCRIPTION	
DWG. NO.	
REFERENCE DRAWINGS	

DESCRIPTION	
DWG. NO.	

DATE	9-9-96
GROUP	CDS
SIGNATURE	
DESIGNED	TONY T.
CHECKED	R. Back
DATE	1/3/97
DESCRIPTION	A Initial Release per ECN E970001-00-C
SHEETS EFFECTED	
DATE	
DESCRIPTION	
ISSUE DESCRIPTION	
REV	
USED IN	
NEXT ASS'Y	