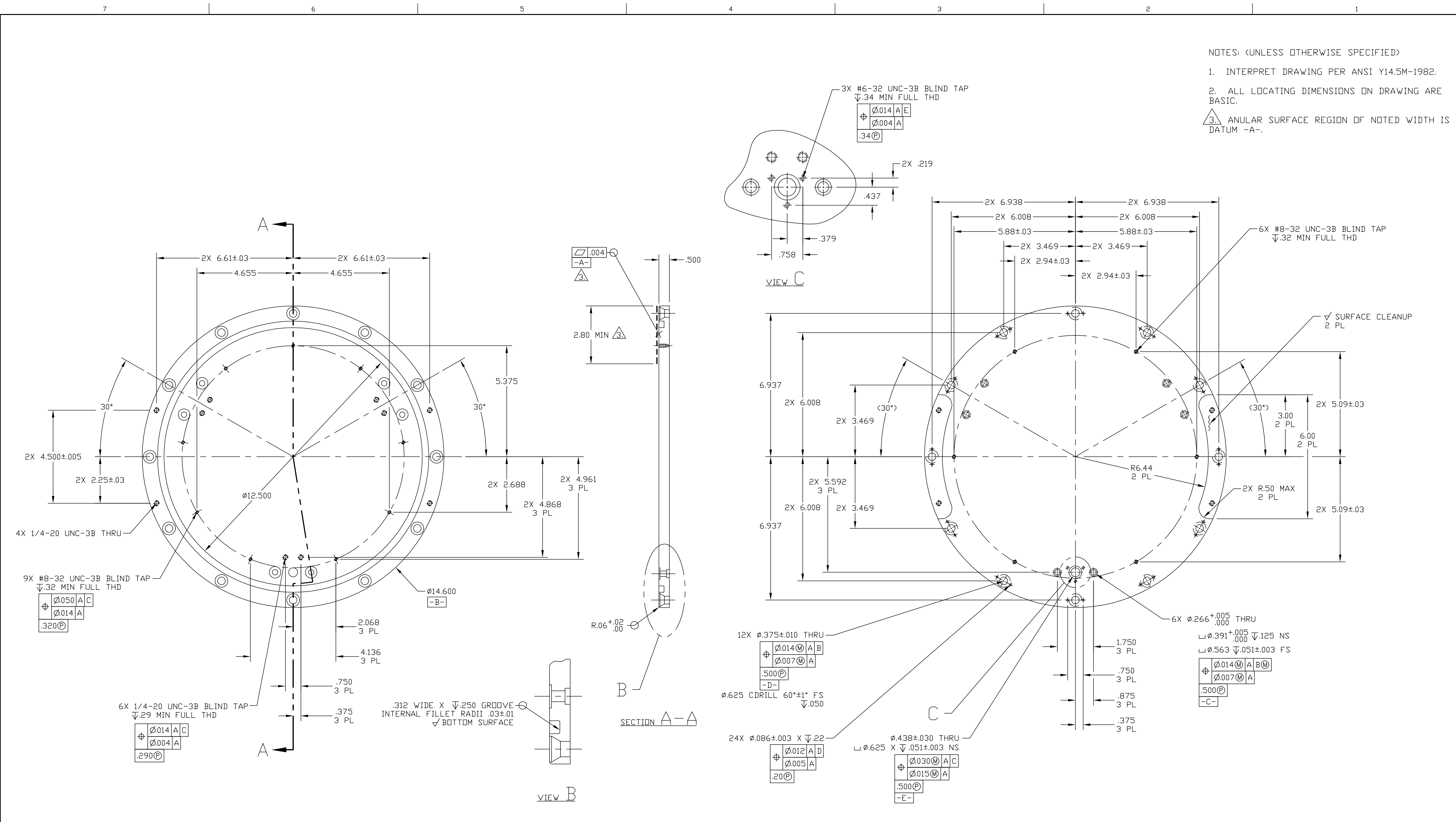


- NOTES: (UNLESS OTHERWISE SPECIFIED)
1. INTERPRET DRAWING PER ANSI Y14.5M-1982.
 2. ALL LOCATING DIMENSIONS ON DRAWING ARE BASIC.
 3. ANULAR SURFACE REGION OF NOTED WIDTH IS DATUM -A-.



		UNLESS OTHERWISE SPECIFIED DIMENSIONS ARE IN INCHES															LIGO CALIFORNIA INSTITUTE OF TECHNOLOGY MASSACHUSETTS INSTITUTE OF TECHNOLOGY				
		TOLERANCES: FRACTIONAL ± ANGULAR ± 0.5° ANGULARMACH ± BEND ± TWO PLACE DECIMAL ±0.3			THREE PLACE DECIMAL ±0.05 FINISHED SURFACE 32 MICROINCH AVERAGE BREAK CORNERS IN: DUT: .005-.010 REMOVE ALL BURRS															CORE OPTIC COMPONENT CARRIER BASE PLATE	
		MATERIAL: 6061 ALU, 1/2 PLATE PER QQ-A-250/11	HEAT TREAT: T6 PER AMS 2770	FINISH:	B	DCN E970047	A	DCN E960157	00	RELEASE FOR FAB	CONLEY	12-30-96	CAD FILE	D961421-B.dwg	SIZE	DWG. NO.	D	D961421-B-D			
DWG. NO.		DESCRIPTION	USED IN:	NEXT ASS'Y: D961425	REV	DESCRIPTION	DCC	SYS	DET	CDS	VE	CC	BT	CHECK	DRWN	DATE	SCALE	SHEET	1 OF 1		
		REFERENCE DRAWINGS															NTS				