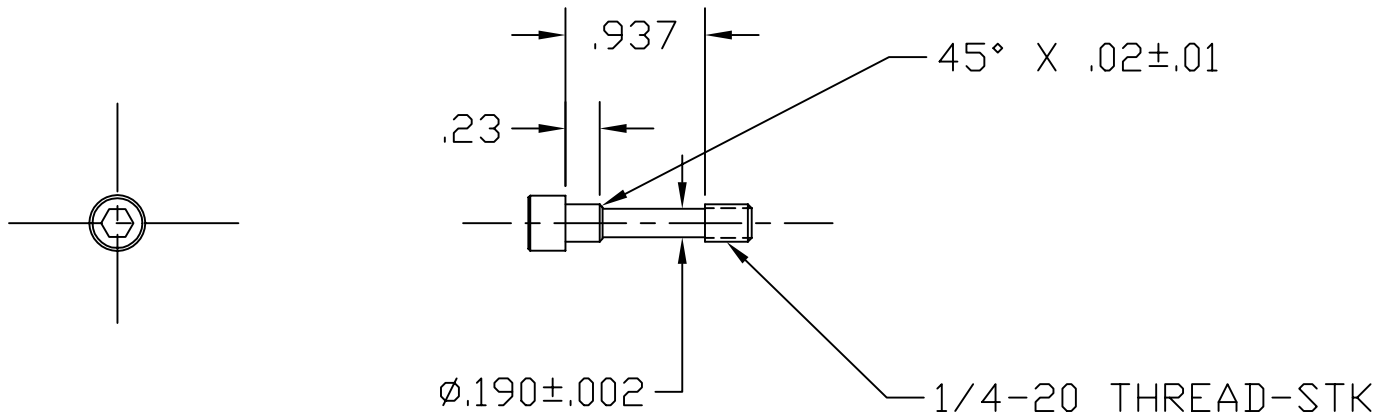


NOTES: (UNLESS OTHERWISE SPECIFIED)
 1. INTERPRET DRAWING PER ANSI Y14.5M-1982
 MATERIAL:
 MAKE FROM "UC-COMPONENTS" #C-2020-NA
 1/4-20 X 1.25 LG SDC HD CAP SCREW,
 STAINLESS STEEL WITH SILVER PLATE.
 FOR VENDOR INFORMATION, SEE TOP
 ASSEMBLY MATERIALS LIST D970006 OR
 D970007.



UNLESS OTHERWISE SPECIFIED
 DIMENSIONS ARE IN INCHES

TOLERANCES:
 FRACTIONAL \pm
 ANGULAR $\pm 0.5^\circ$
 ANGULAR MACH \pm BEND \pm
 TWO PLACE DECIMAL $\pm .03$

THREE PLACE DECIMAL $\pm .005$
 FINISHED SURFACE 16 MICROINCH AVERAGE
 BREAK CORNERS IN: OUT: .005-.010
 REMOVE ALL BURRS

MATERIAL: HEAT TREAT: FINISH:

USED ON: NEXT ASS'Y: D961471 & D961472

| REV | DESCRIPTION | DCC | SYS | DET | CDS | VE | CC | BT | CHECK | DRWN | DATE |
|-----|---------------------|-----|-----|-----|-----|----|----|----|-------|-------|--------|
| A | DCN E960157 | | | | | | | | | | |
| 01 | RELEASE FOR FAB | | | | | | | | | | |
| 0A | PRELIMINARY RELEASE | | | | | | | | | | |
| 00 | PRE-RELEASE | | | | | | | | | KABOT | 1/7/97 |

LIGO CALIFORNIA INSTITUTE OF TECHNOLOGY
 MASSACHUSETTS INSTITUTE OF TECHNOLOGY

CORE OPTIC COMPONENT CARRIER
 CAPTIVE SCREW

CAD FILE: D961431-A.dwg SIZE: A DWG. NO.: D961431-A-D
 SCALE: NTS SHEET: 1 OF 1