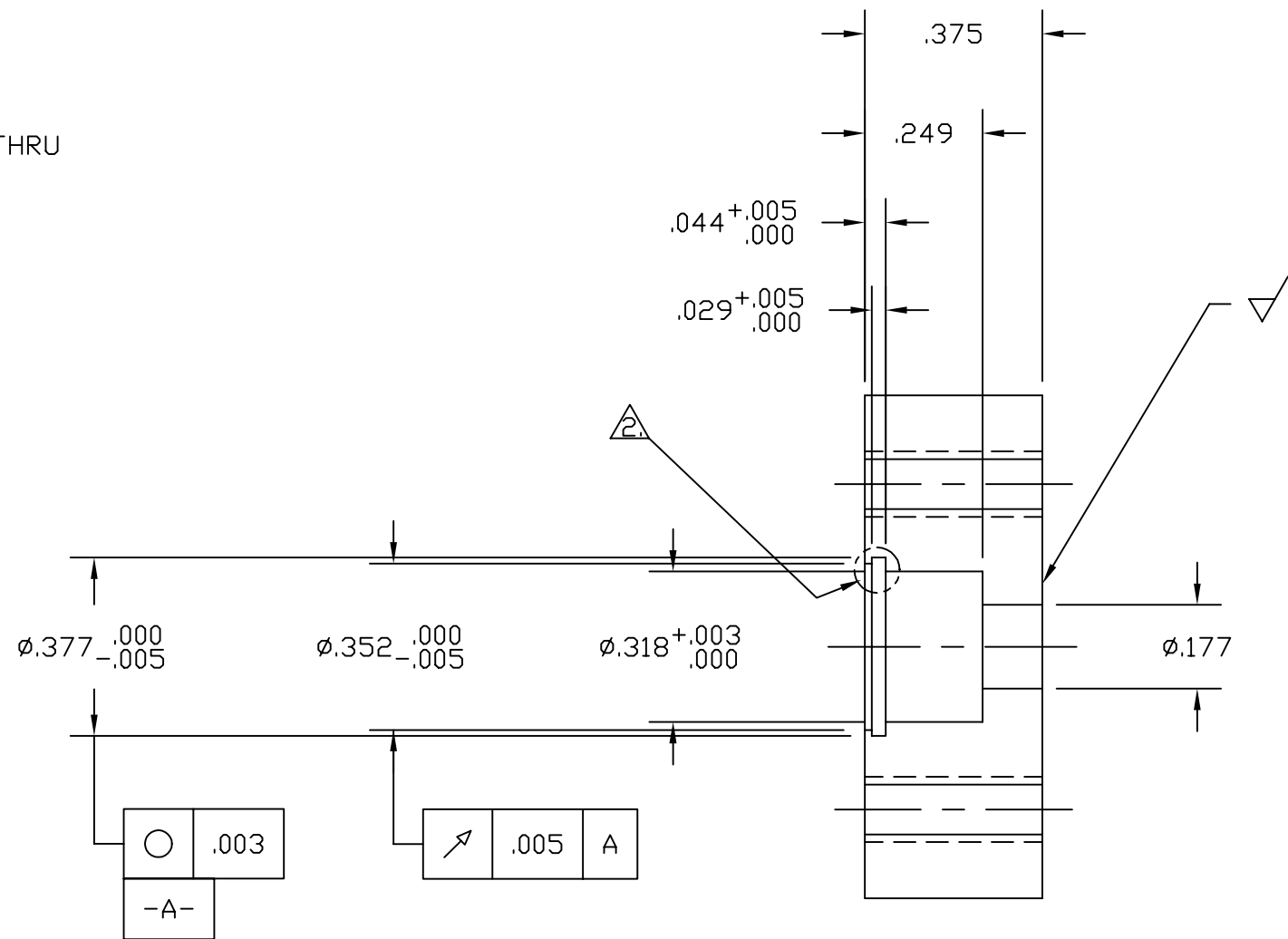
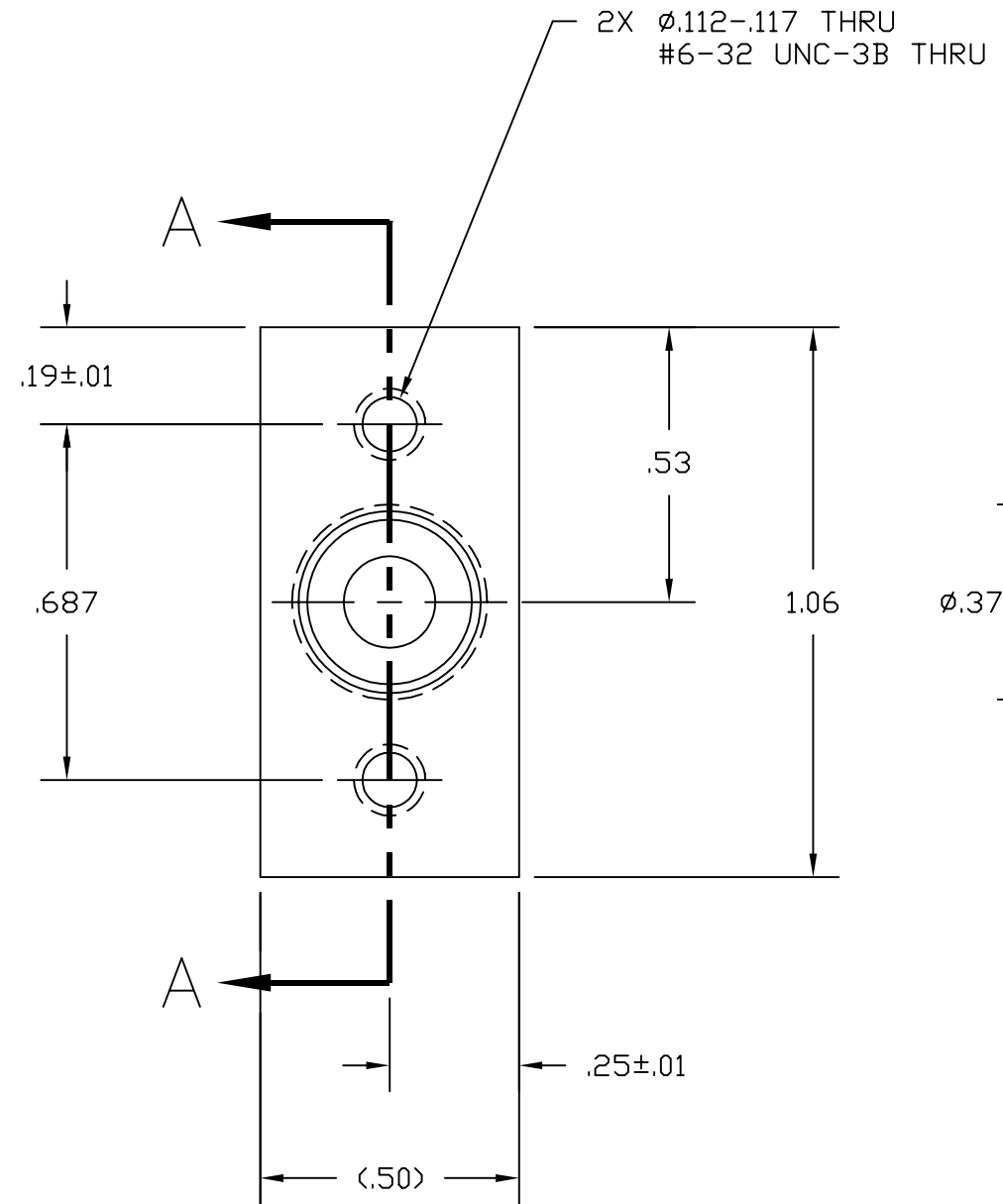


NOTES: (UNLESS OTHERWISE SPECIFIED)  
 1. INTERPRET DRAWING PER ANSI Y14.5M-1982.  
 2. GROOVE MAX. ALLOWABLE INTERNAL CORNER RADII .005.



SECTION A-A

		UNLESS OTHERWISE SPECIFIED DIMENSIONS ARE IN INCHES												LIGO CALIFORNIA INSTITUTE OF TECHNOLOGY MASSACHUSETTS INSTITUTE OF TECHNOLOGY			
		TOLERANCES: FRACTIONAL ± ANGULAR ± 0.5° ANGULARMACH ± BEND ± TWO PLACE DECIMAL ± .03		THREE PLACE DECIMAL ± .005 FINISHED SURFACE 32 MICROINCH AVERAGE BREAK CORNERS IN OUT: .005-.010 REMOVE ALL BURRS												CORE OPTIC COMPONENT CARRIER FOOT	
		MATERIAL: 6061 ALU, 1/2 X 3/8 BAR PER AMS QQ-A-225/8		HEAT TREAT: T6 PER AMS 2770												CONLEY 12-16-96	
DWG. NO.		DESCRIPTION		FINISH:		REV										SCALE NTS	
REFERENCE DRAWINGS		USED ON:		NEXT ASS'Y: D961418		ISSUE DESCRIPTION										SIZE DWG. NO. B D961469-A-D	
																SHEET 1 OF 1	