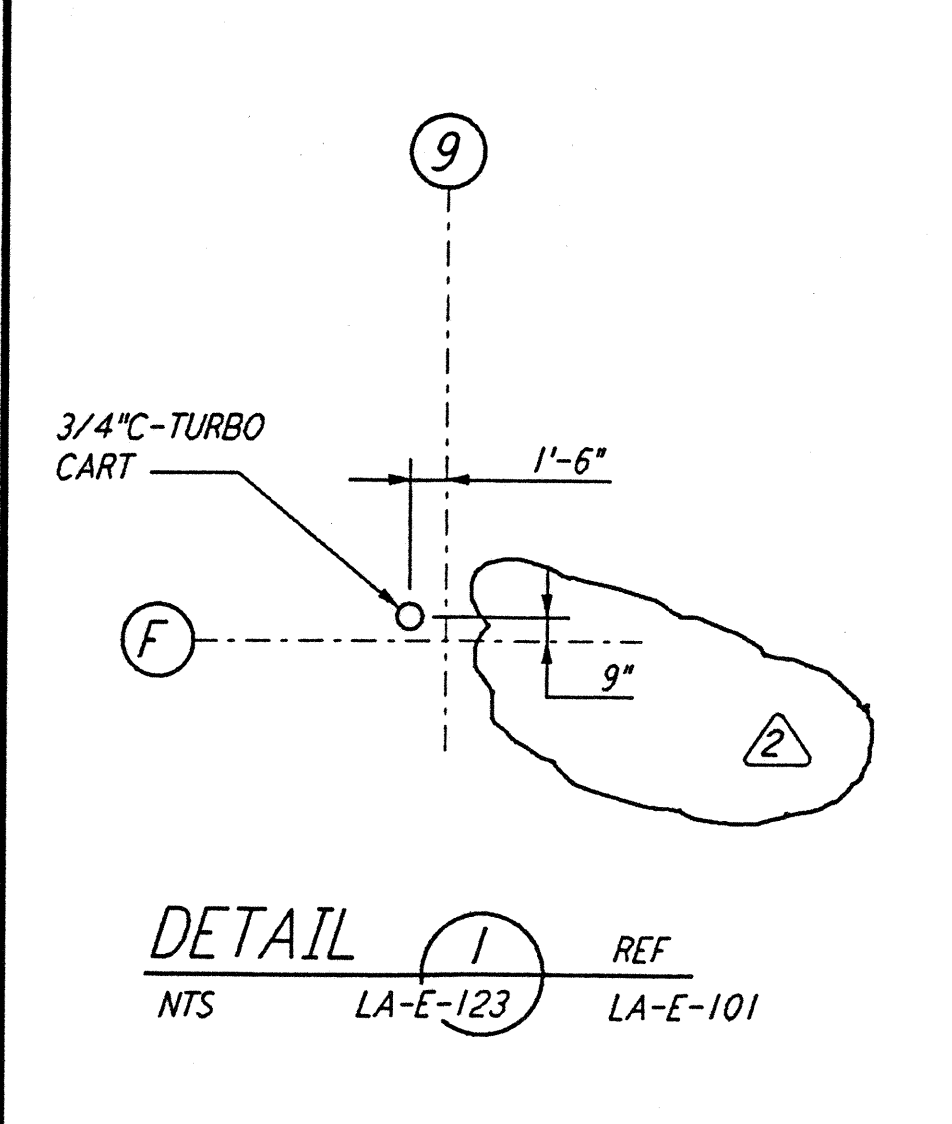
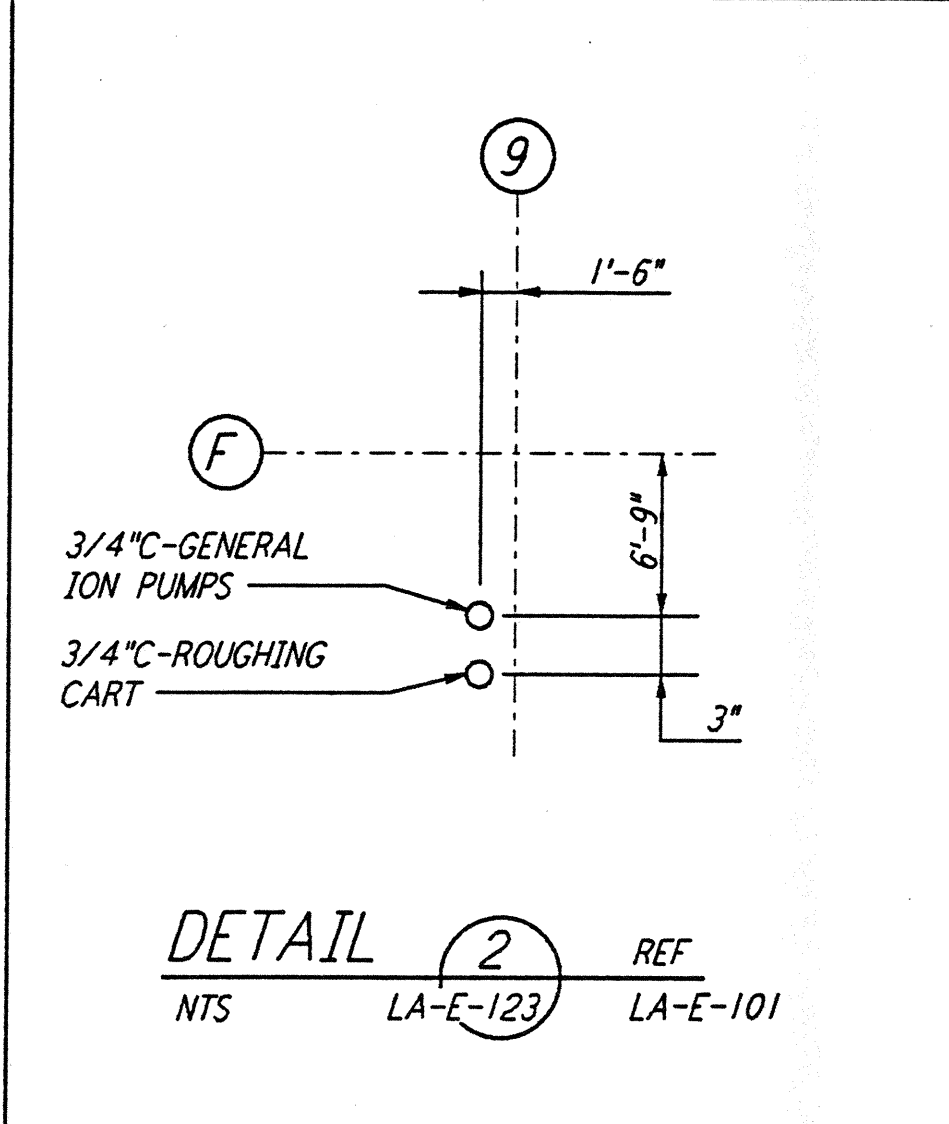


not be reproduced, copied, loaned, exhibited, or used in any other way, except by written consent from PARSONS to the borrower.

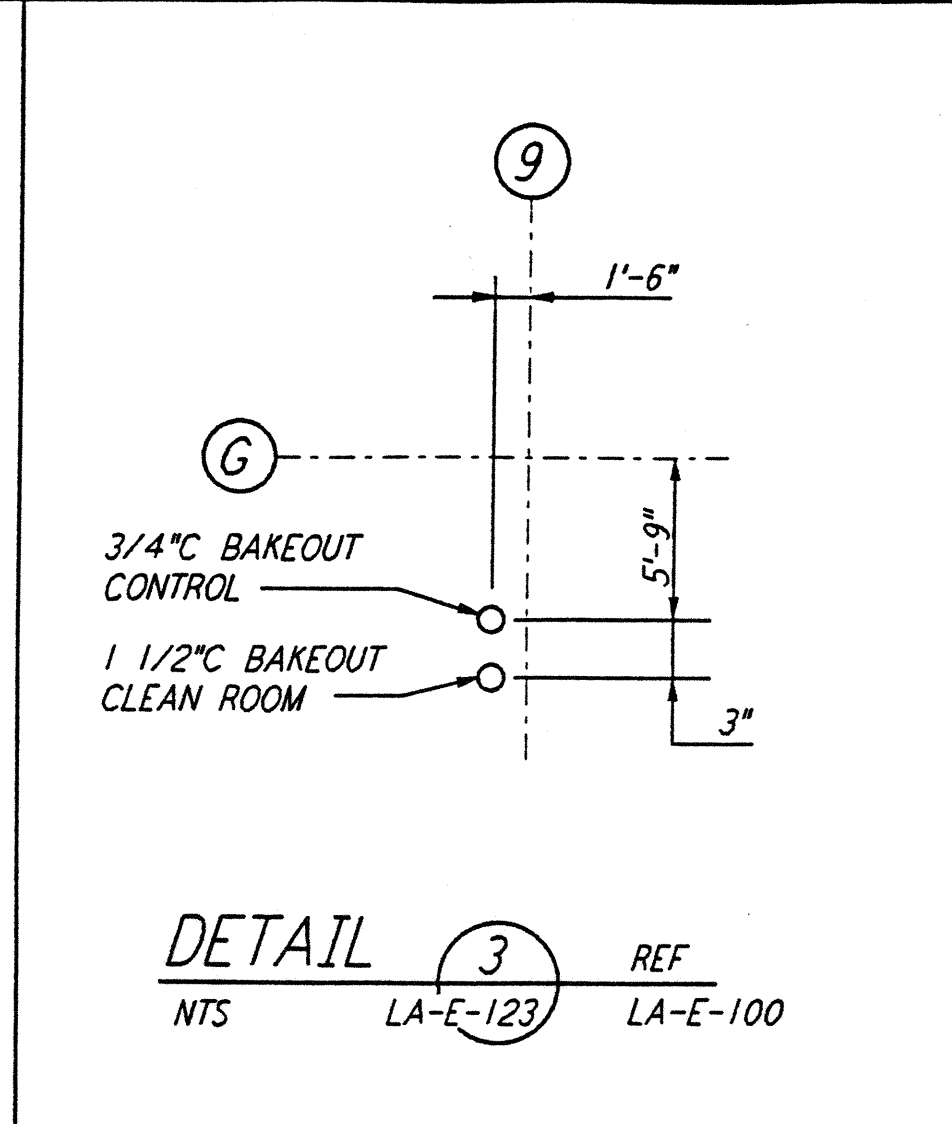
This document and the design it covers are the property of PARSONS. They are loaned only with the borrower's expressed written agreement that they will



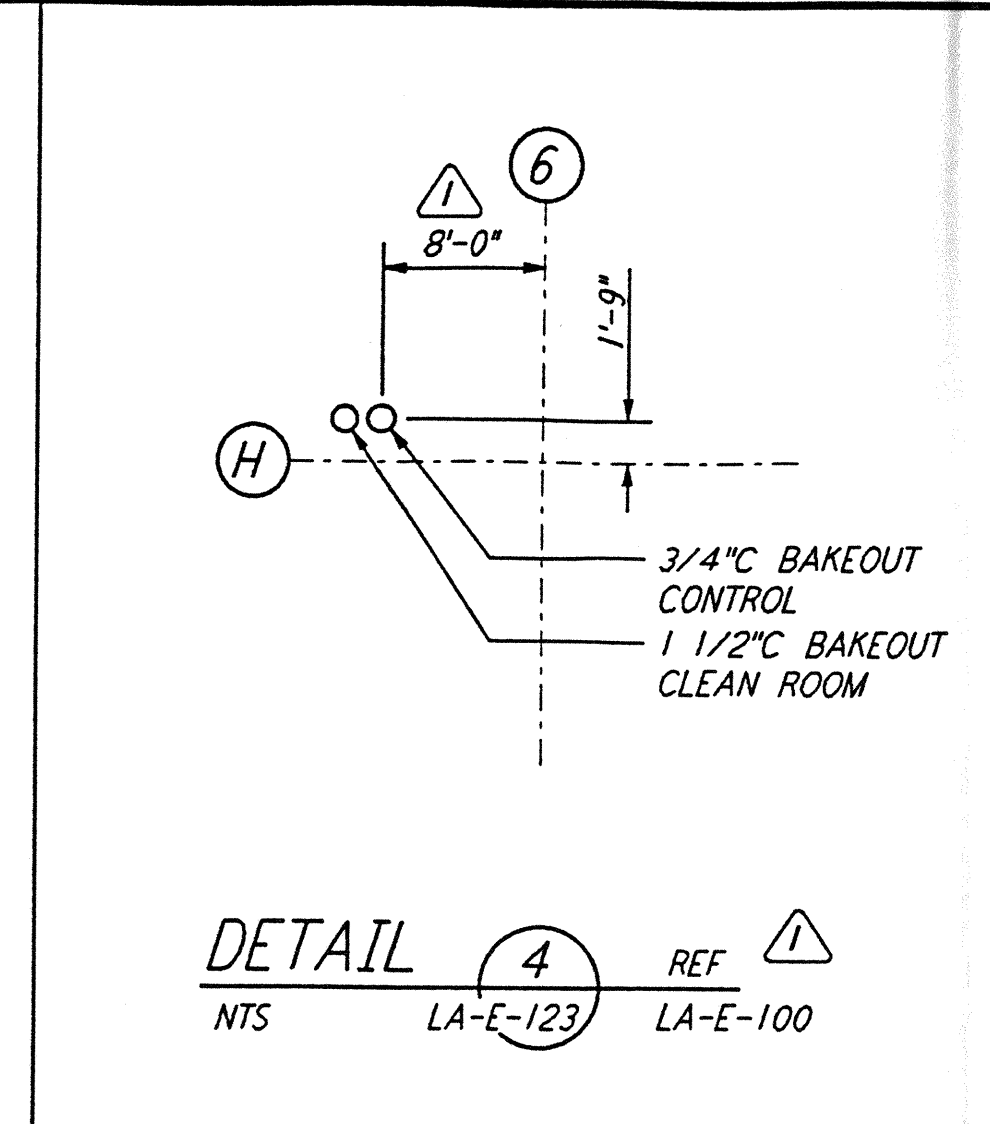
DETAIL 1 REF
 NTS LA-E-123 LA-E-101



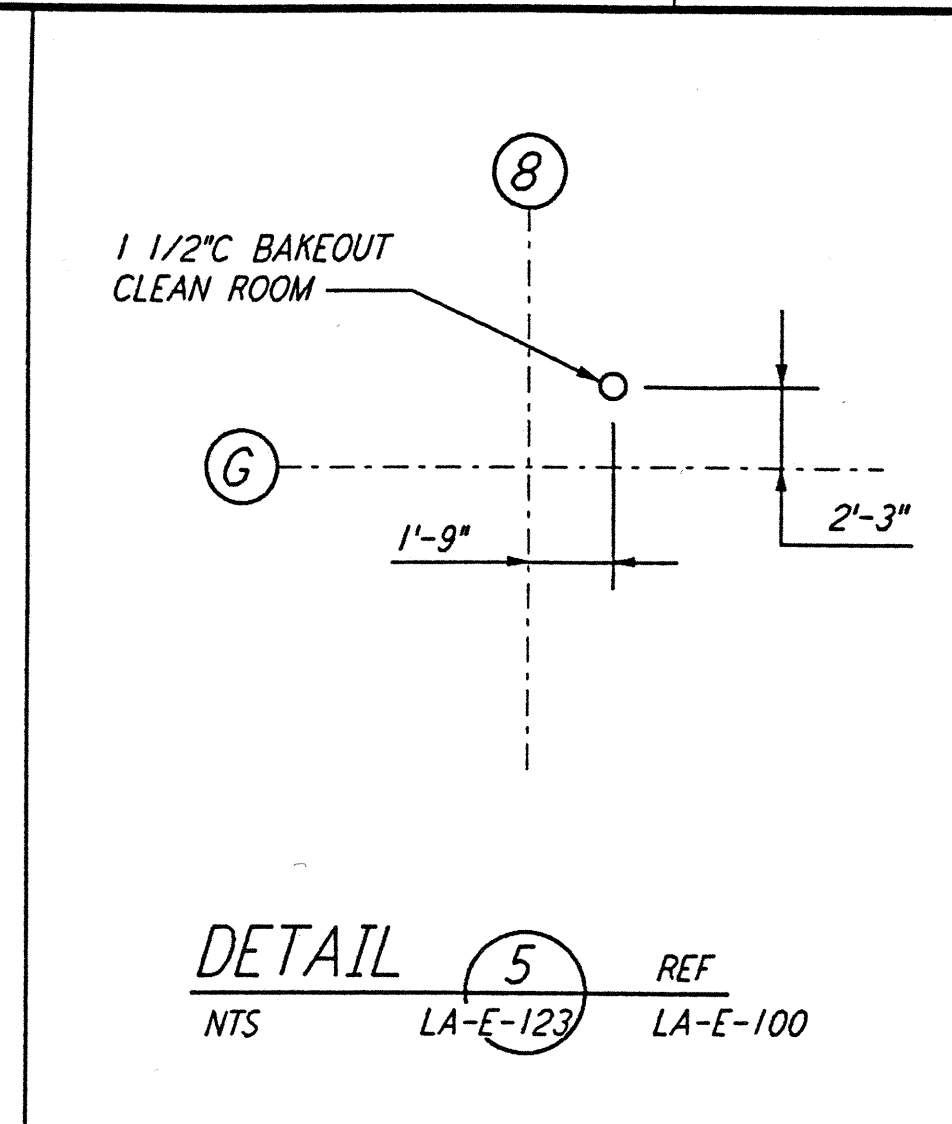
DETAIL 2 REF
 NTS LA-E-123 LA-E-101



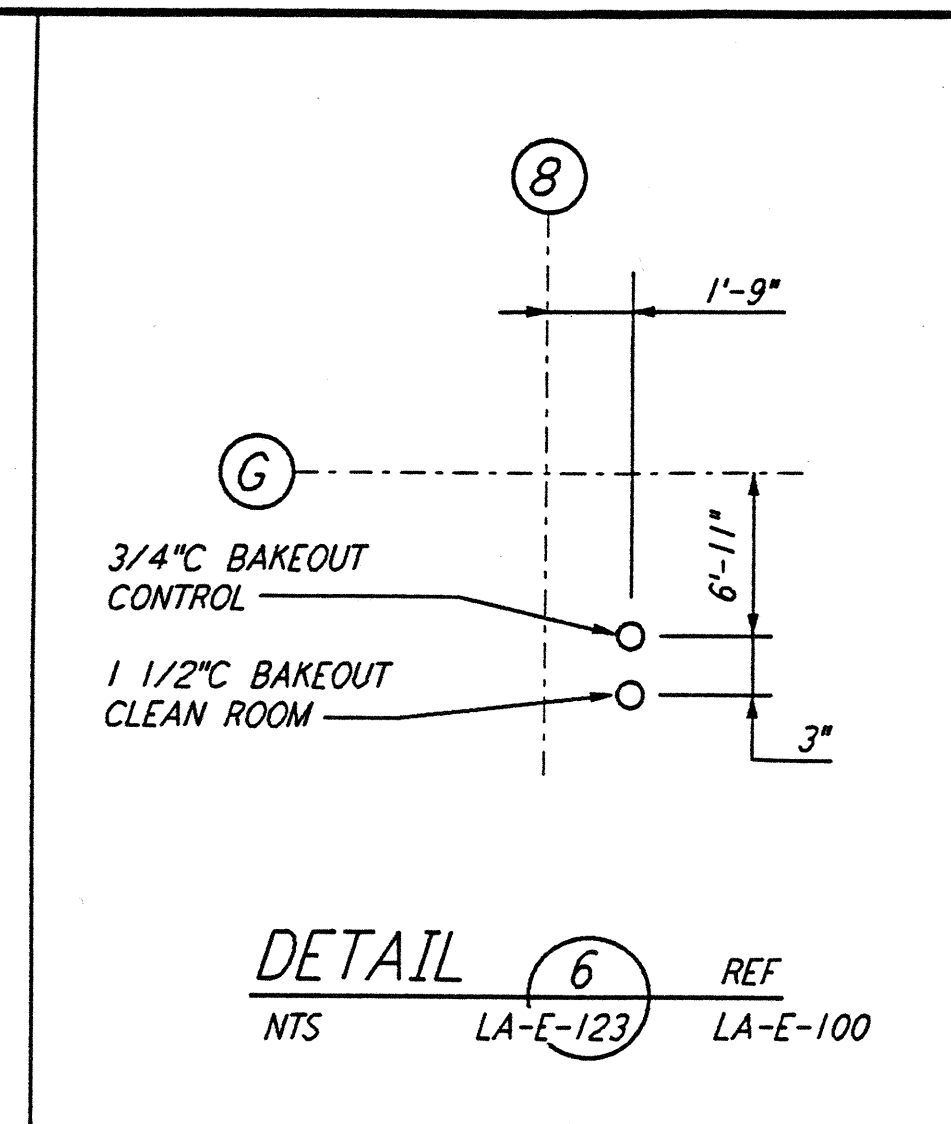
DETAIL 3 REF
 NTS LA-E-123 LA-E-100



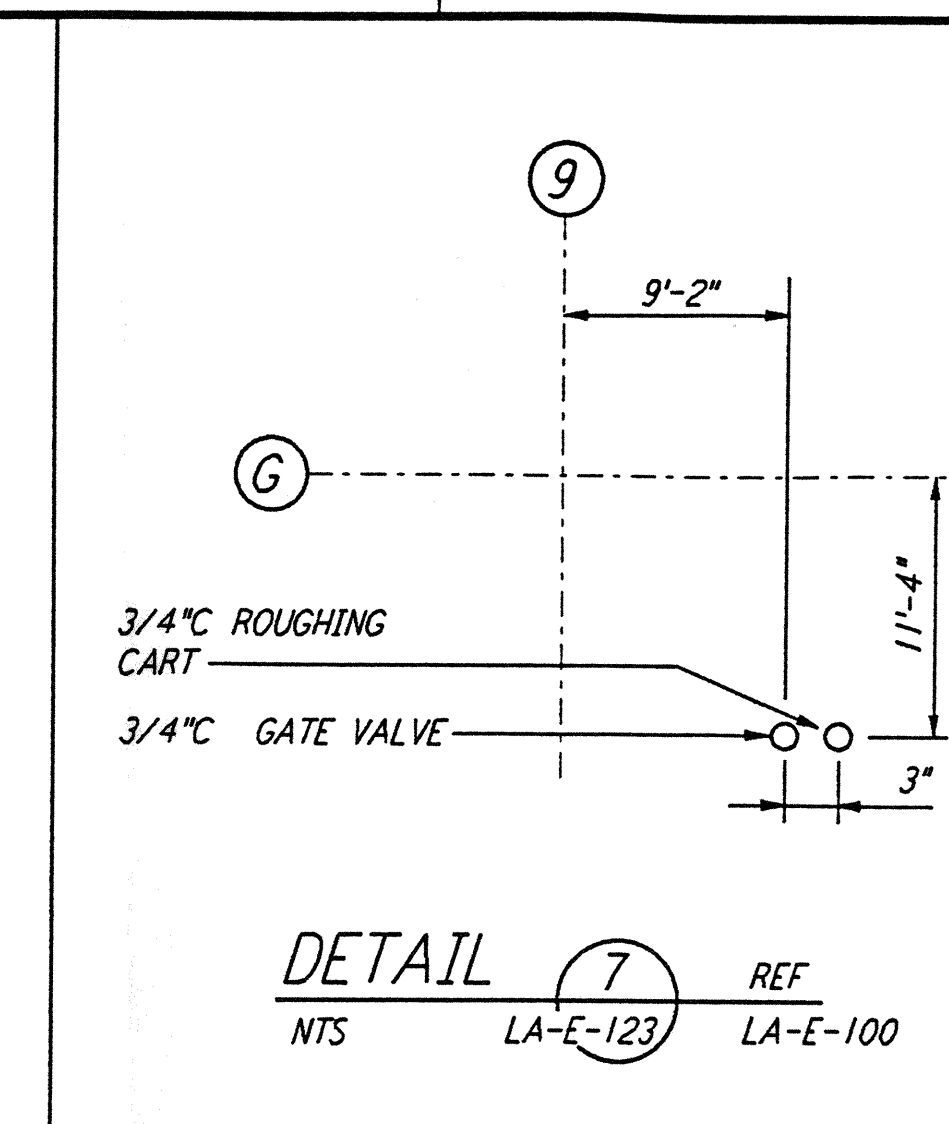
DETAIL 4 REF
 NTS LA-E-123 LA-E-100



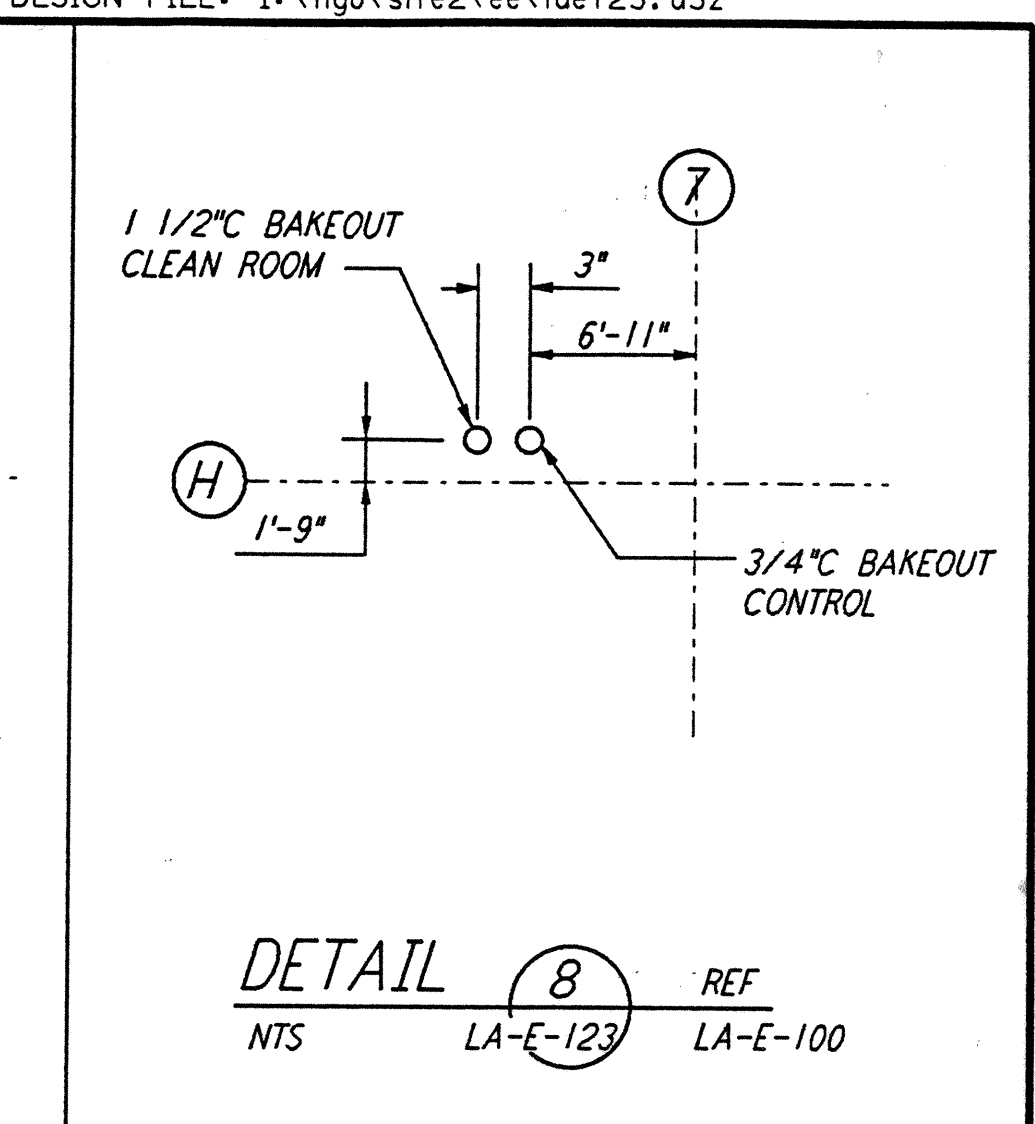
DETAIL 5 REF
 NTS LA-E-123 LA-E-100



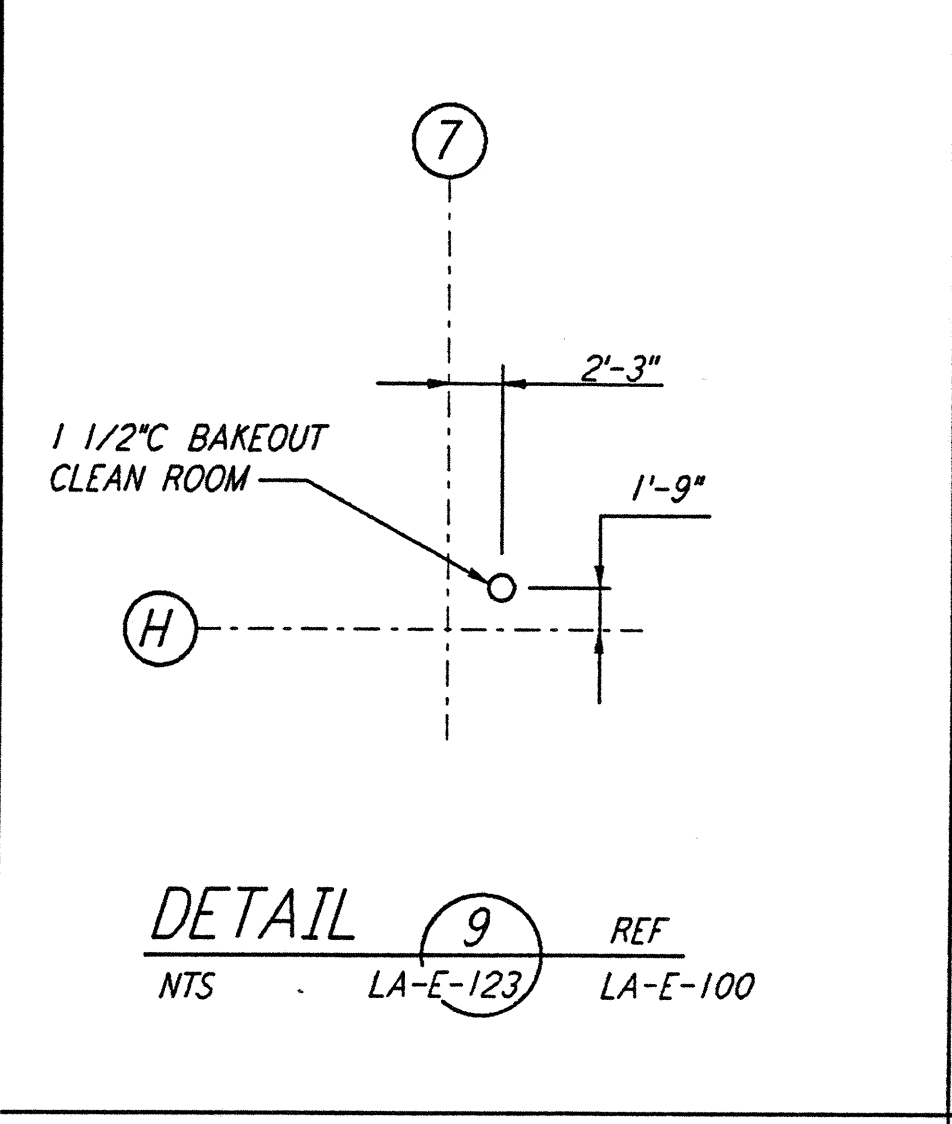
DETAIL 6 REF
 NTS LA-E-123 LA-E-100



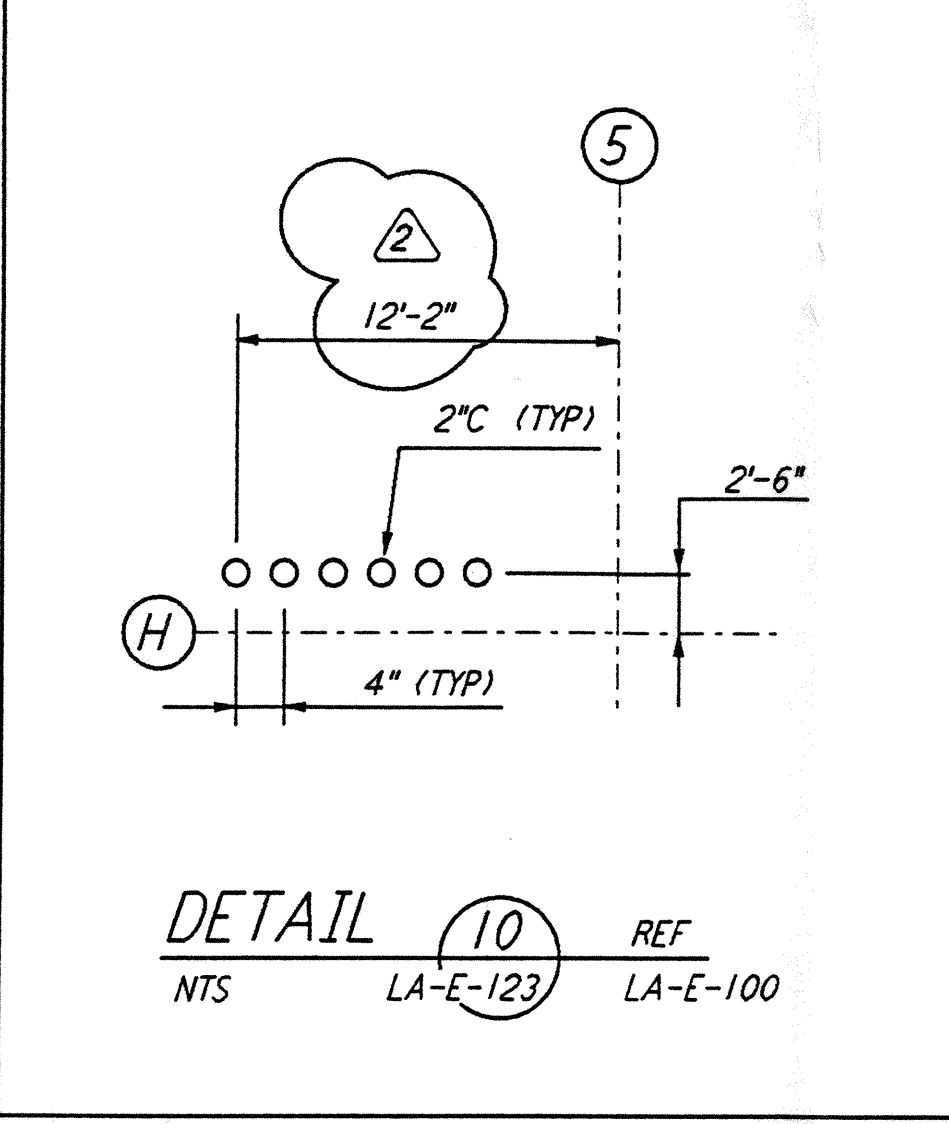
DETAIL 7 REF
 NTS LA-E-123 LA-E-100



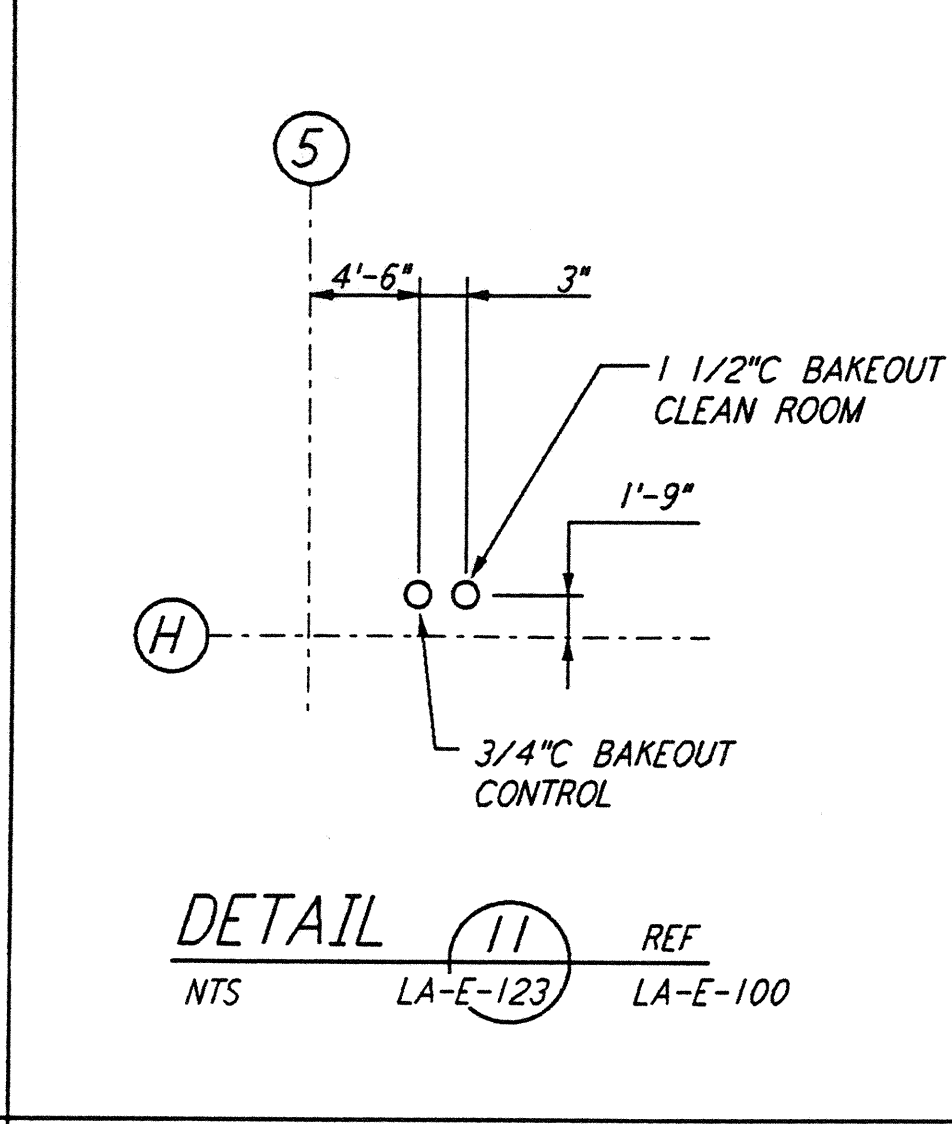
DETAIL 8 REF
 NTS LA-E-123 LA-E-100



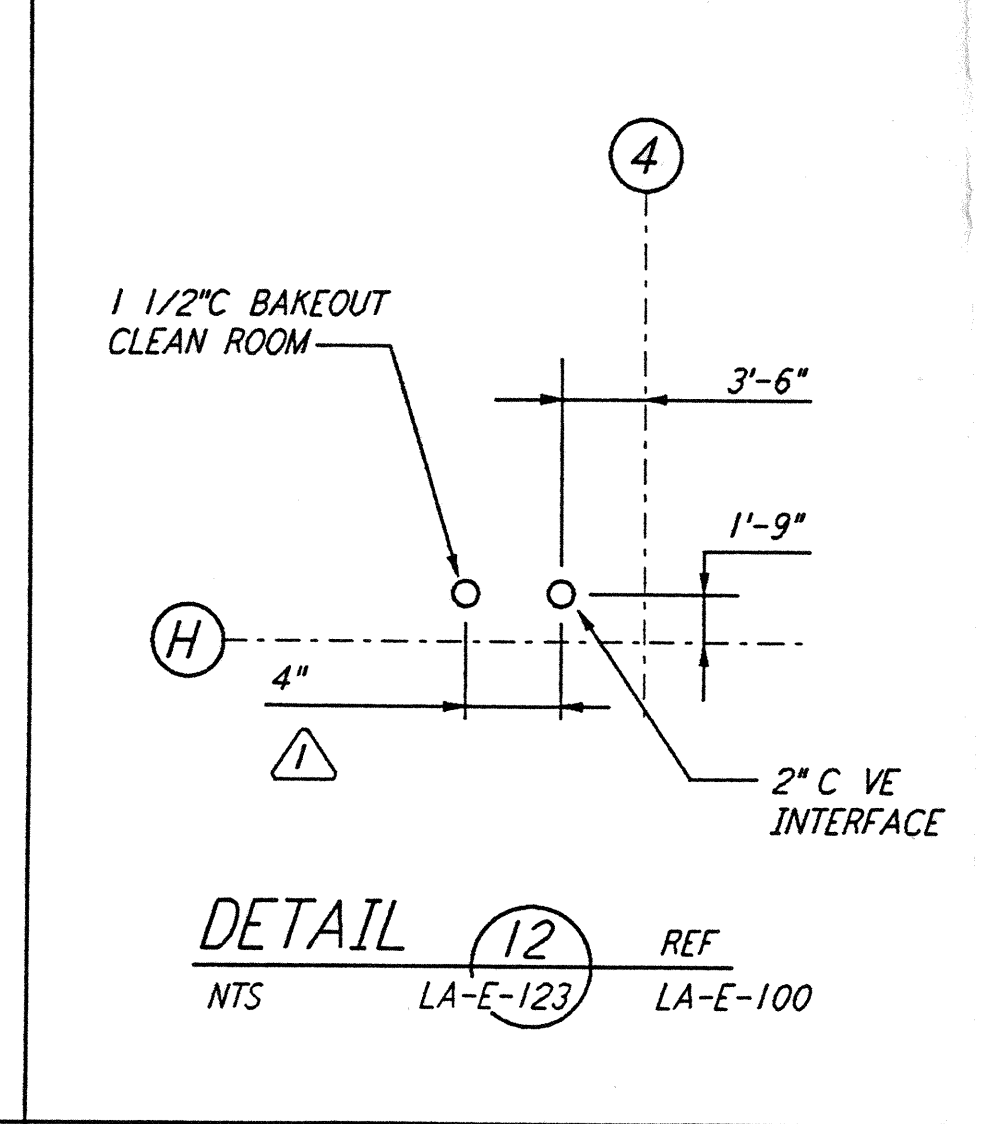
DETAIL 9 REF
 NTS LA-E-123 LA-E-100



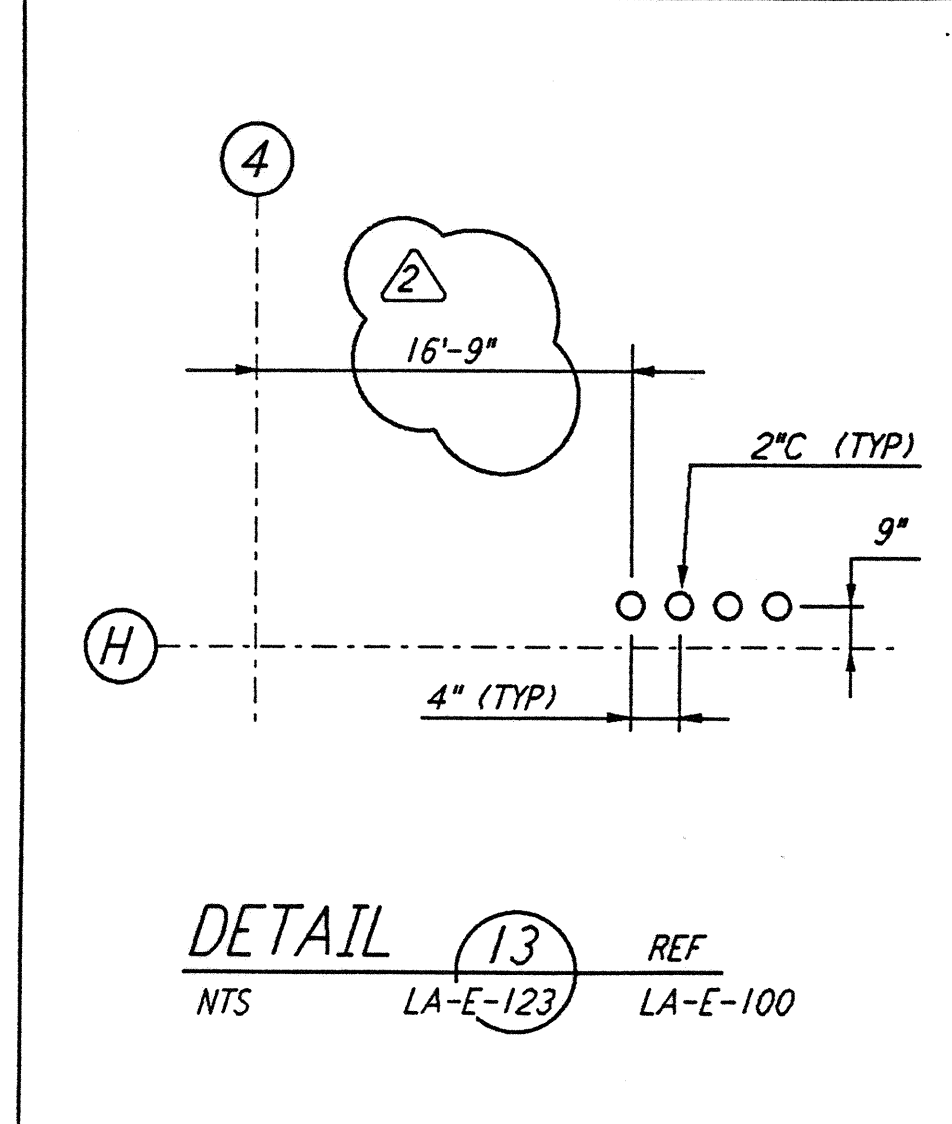
DETAIL 10 REF
 NTS LA-E-123 LA-E-100



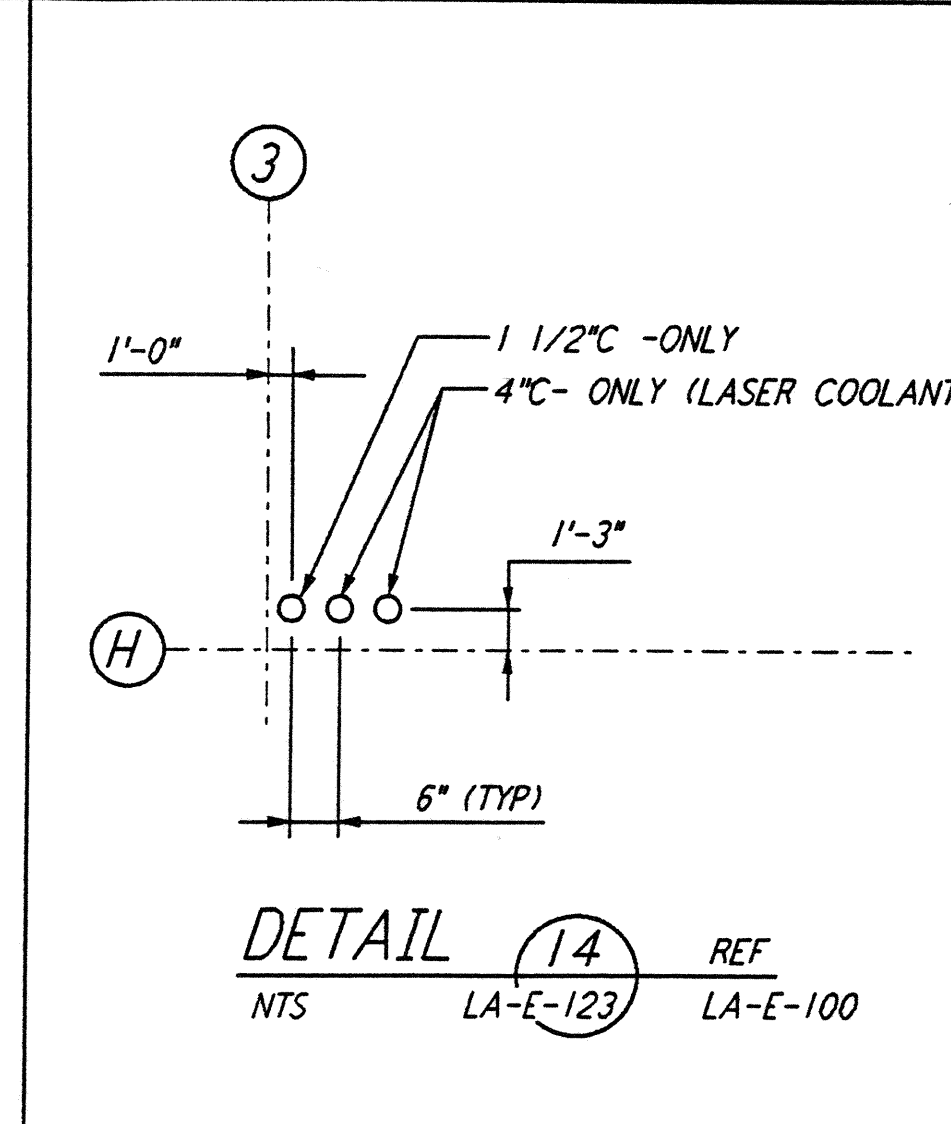
DETAIL 11 REF
 NTS LA-E-123 LA-E-100



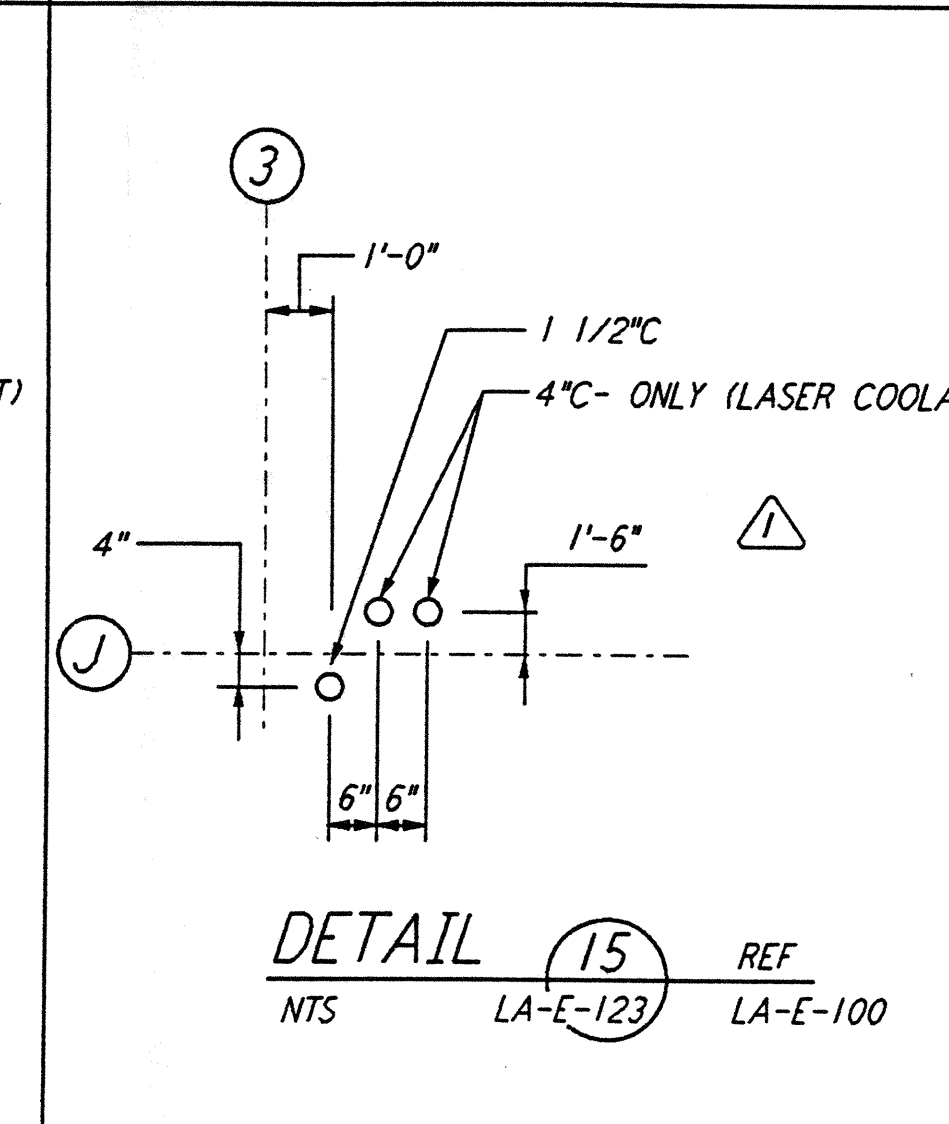
DETAIL 12 REF
 NTS LA-E-123 LA-E-100



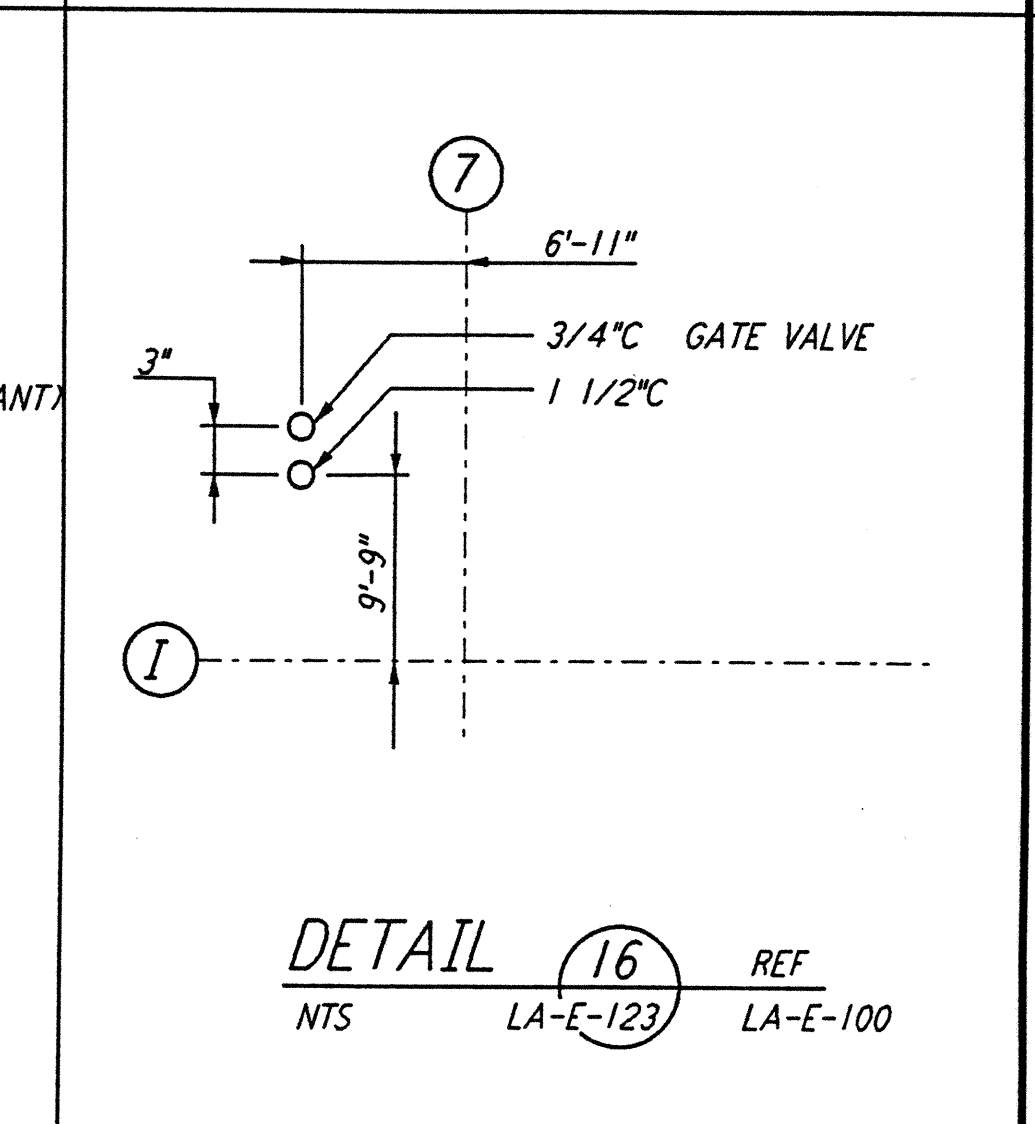
DETAIL 13 REF
 NTS LA-E-123 LA-E-100



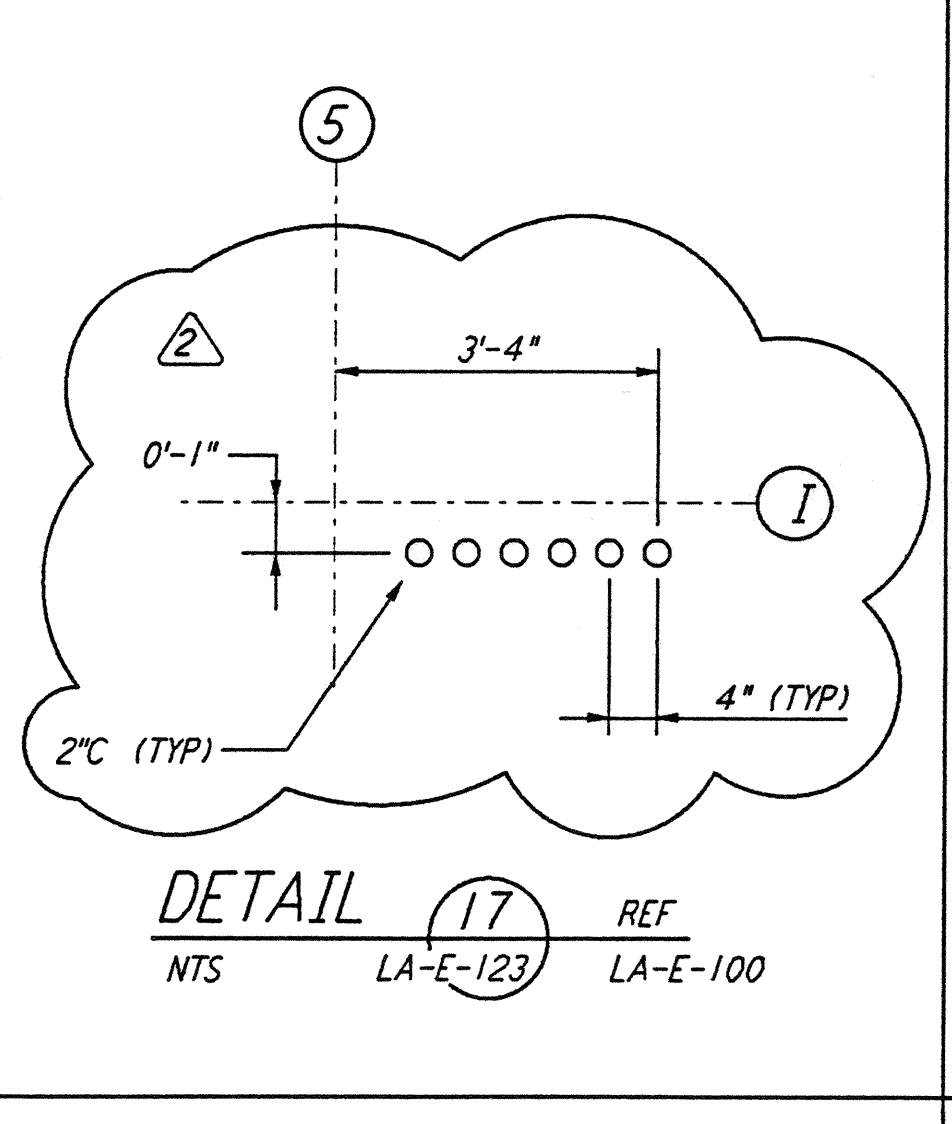
DETAIL 14 REF
 NTS LA-E-123 LA-E-100



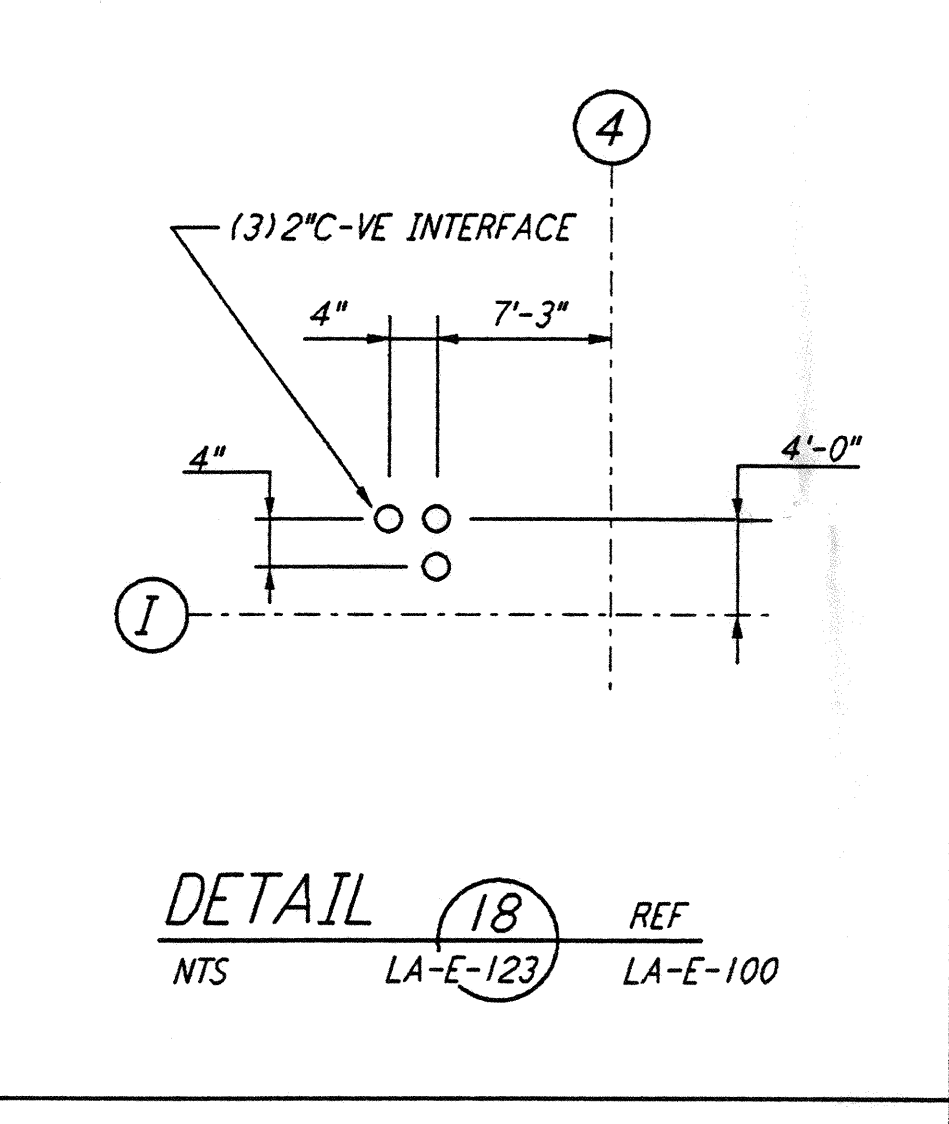
DETAIL 15 REF
 NTS LA-E-123 LA-E-100



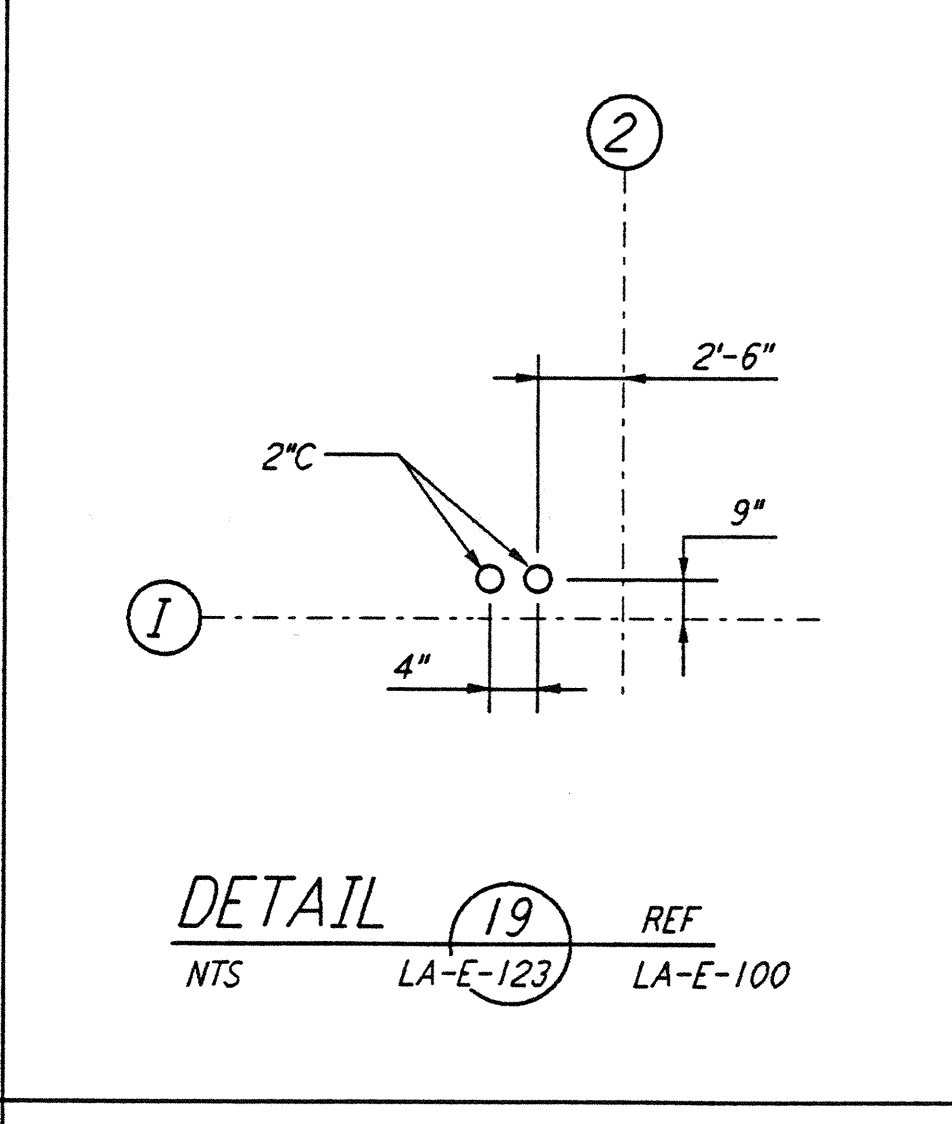
DETAIL 16 REF
 NTS LA-E-123 LA-E-100



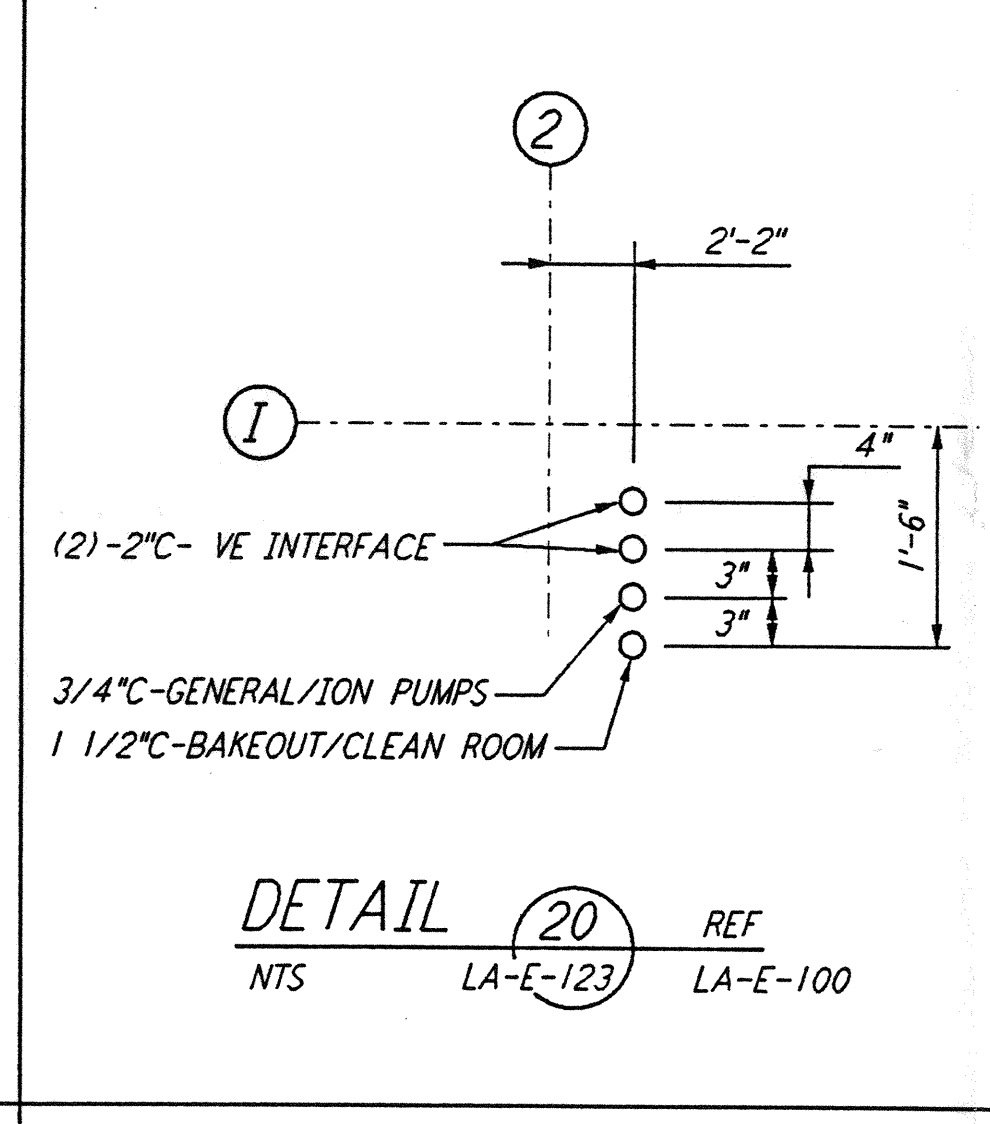
DETAIL 17 REF
 NTS LA-E-123 LA-E-100



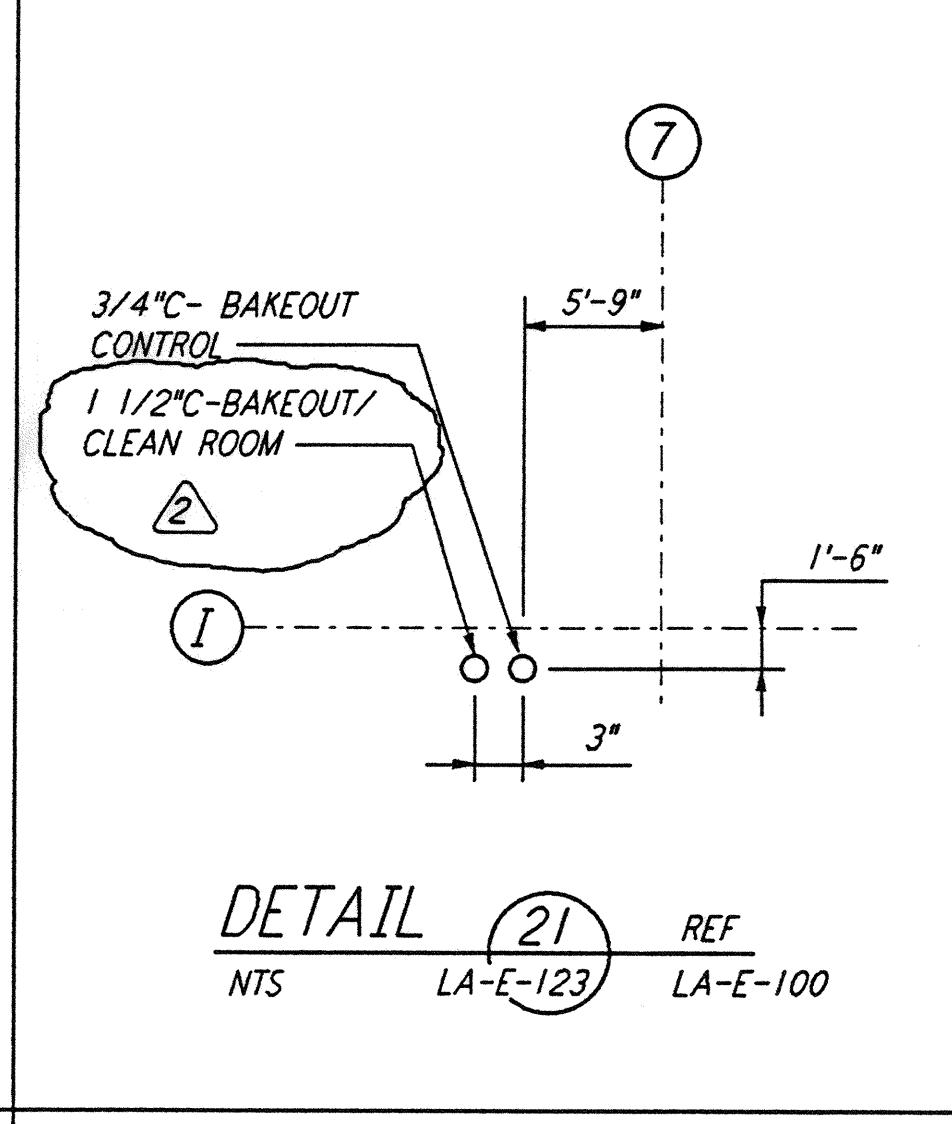
DETAIL 18 REF
 NTS LA-E-123 LA-E-100



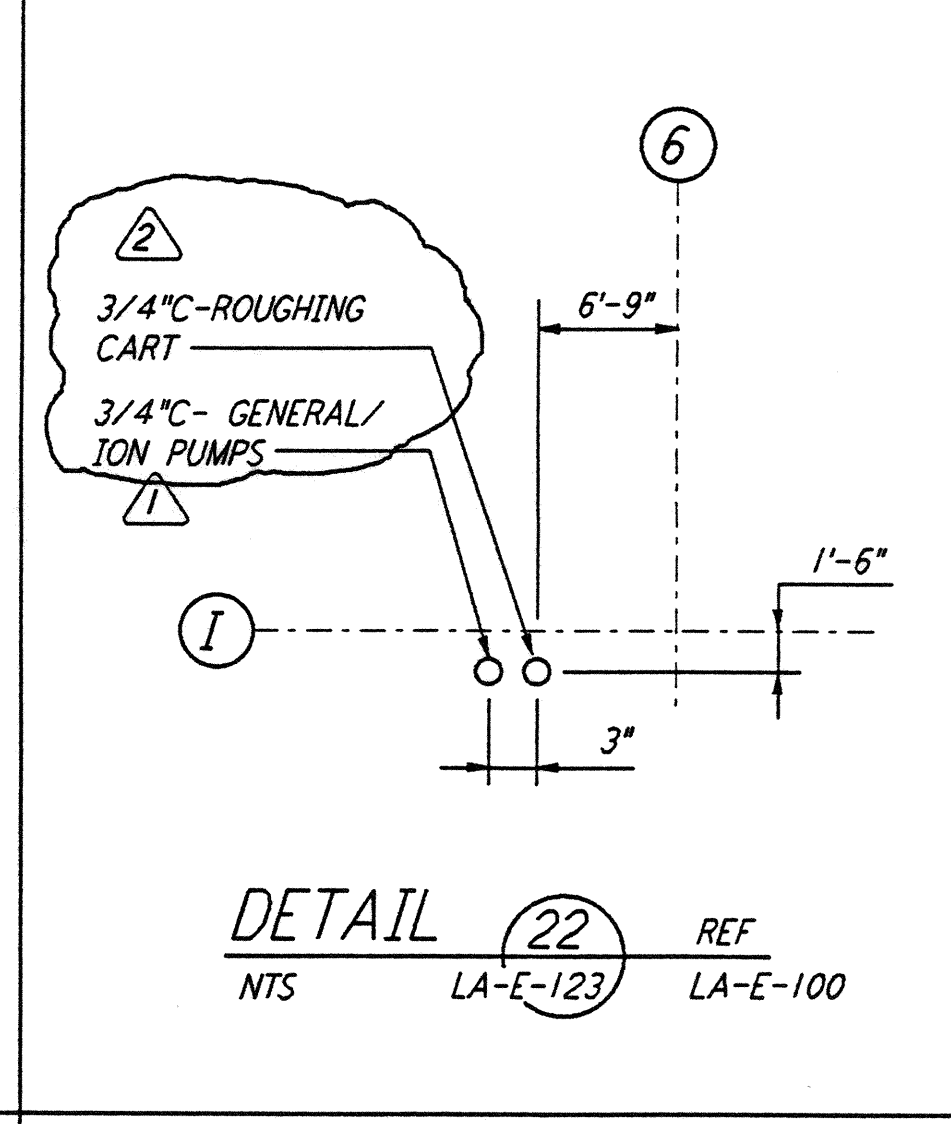
DETAIL 19 REF
 NTS LA-E-123 LA-E-100



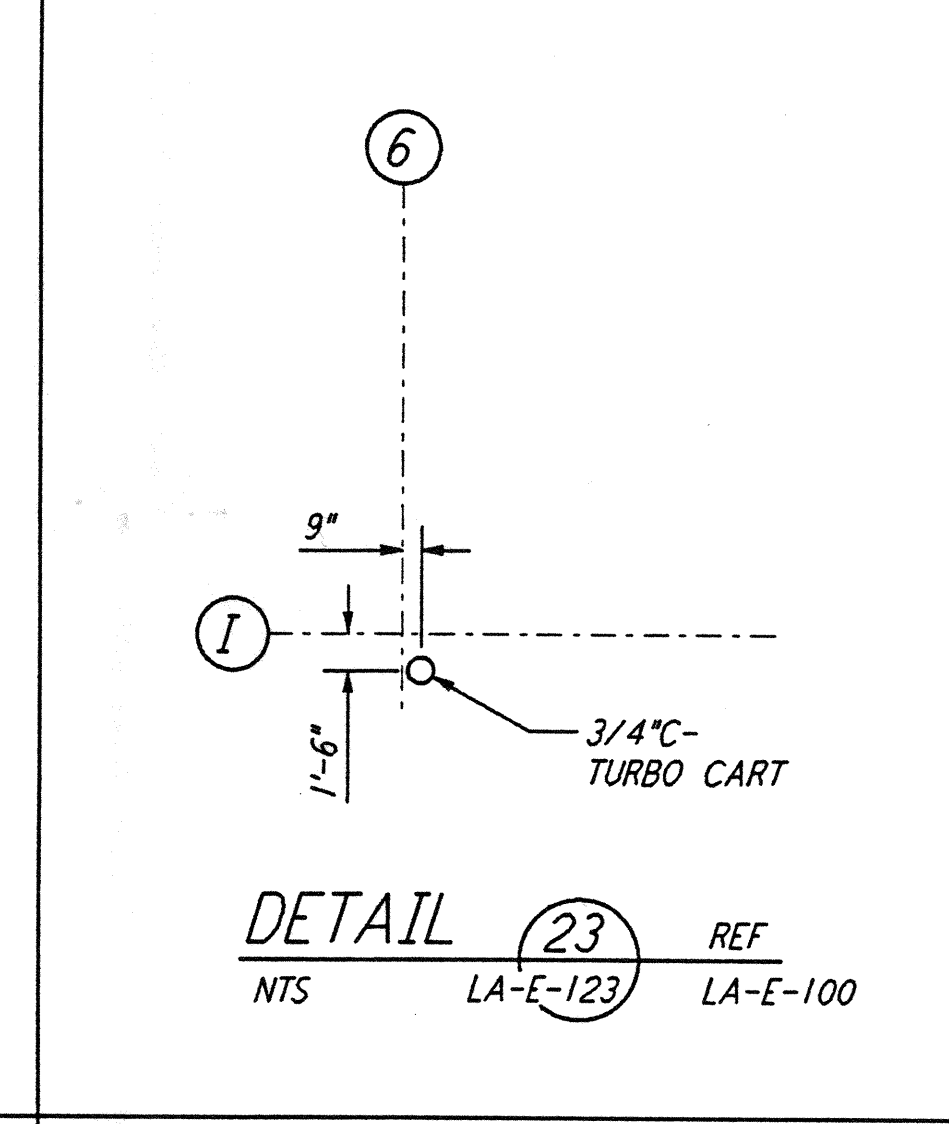
DETAIL 20 REF
 NTS LA-E-123 LA-E-100



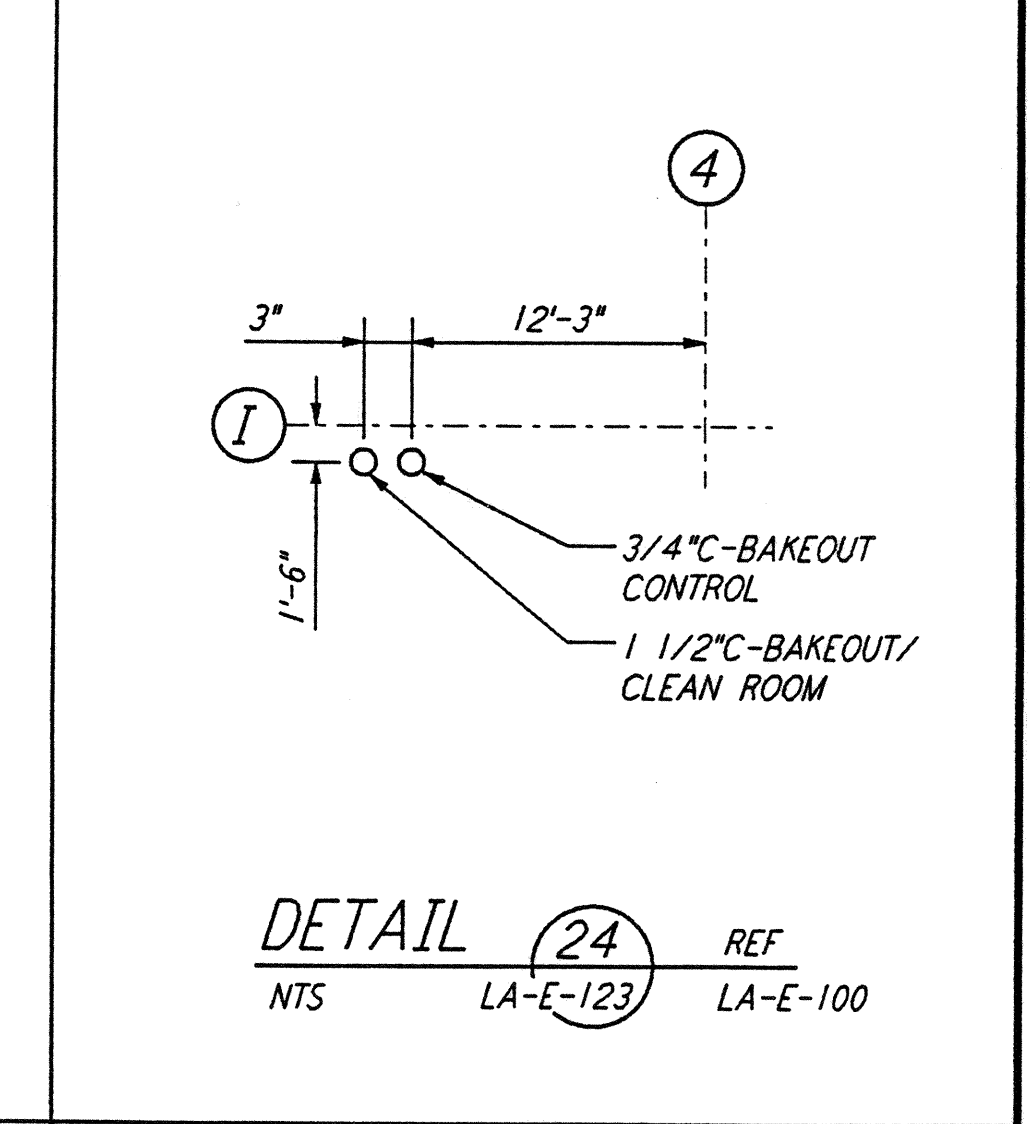
DETAIL 21 REF
 NTS LA-E-123 LA-E-100



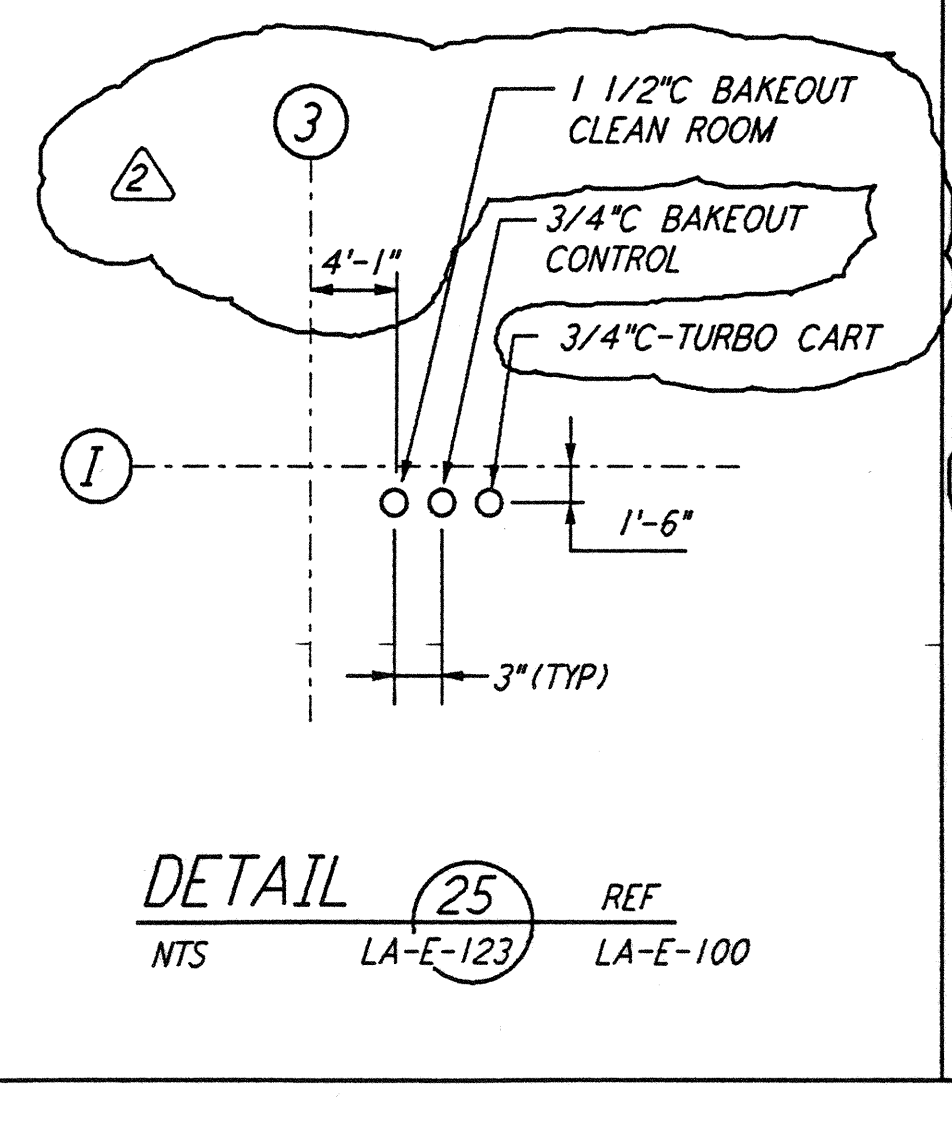
DETAIL 22 REF
 NTS LA-E-123 LA-E-100



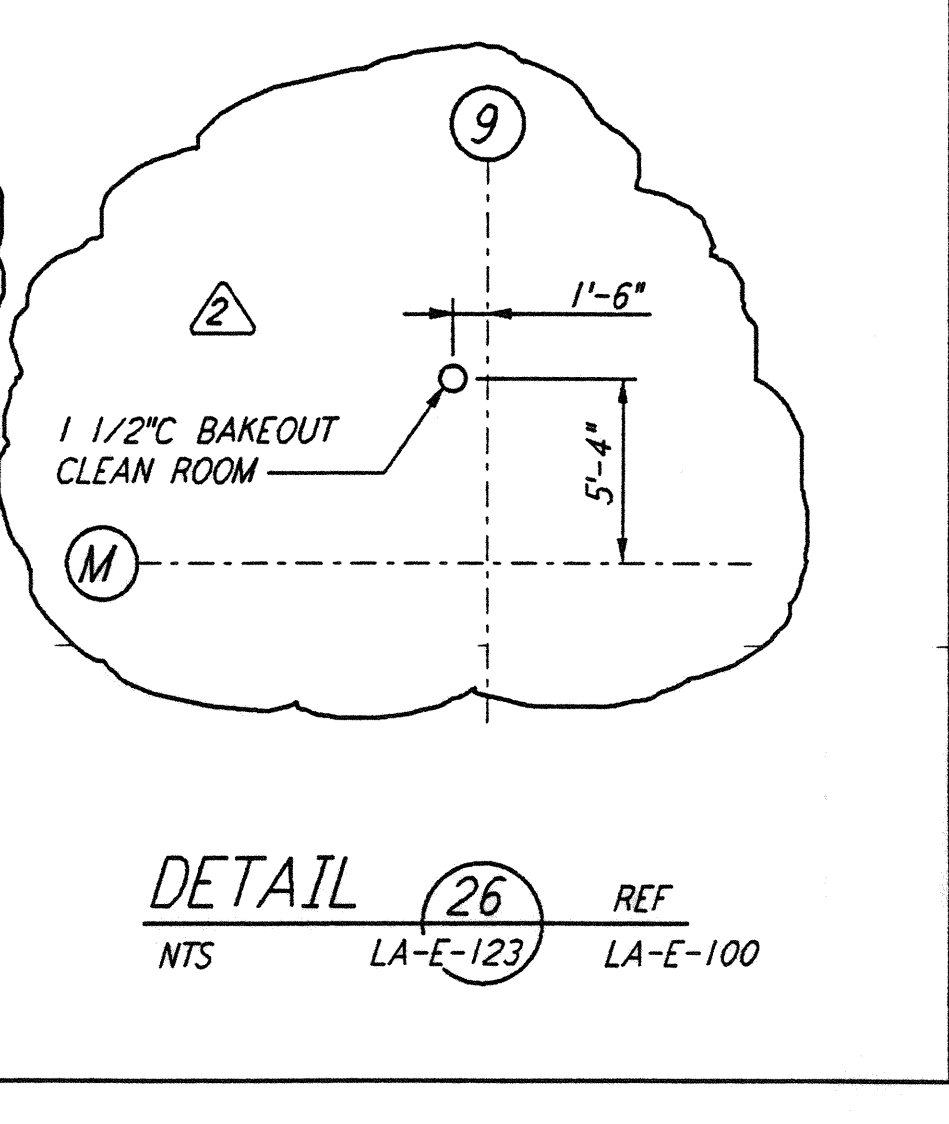
DETAIL 23 REF
 NTS LA-E-123 LA-E-100



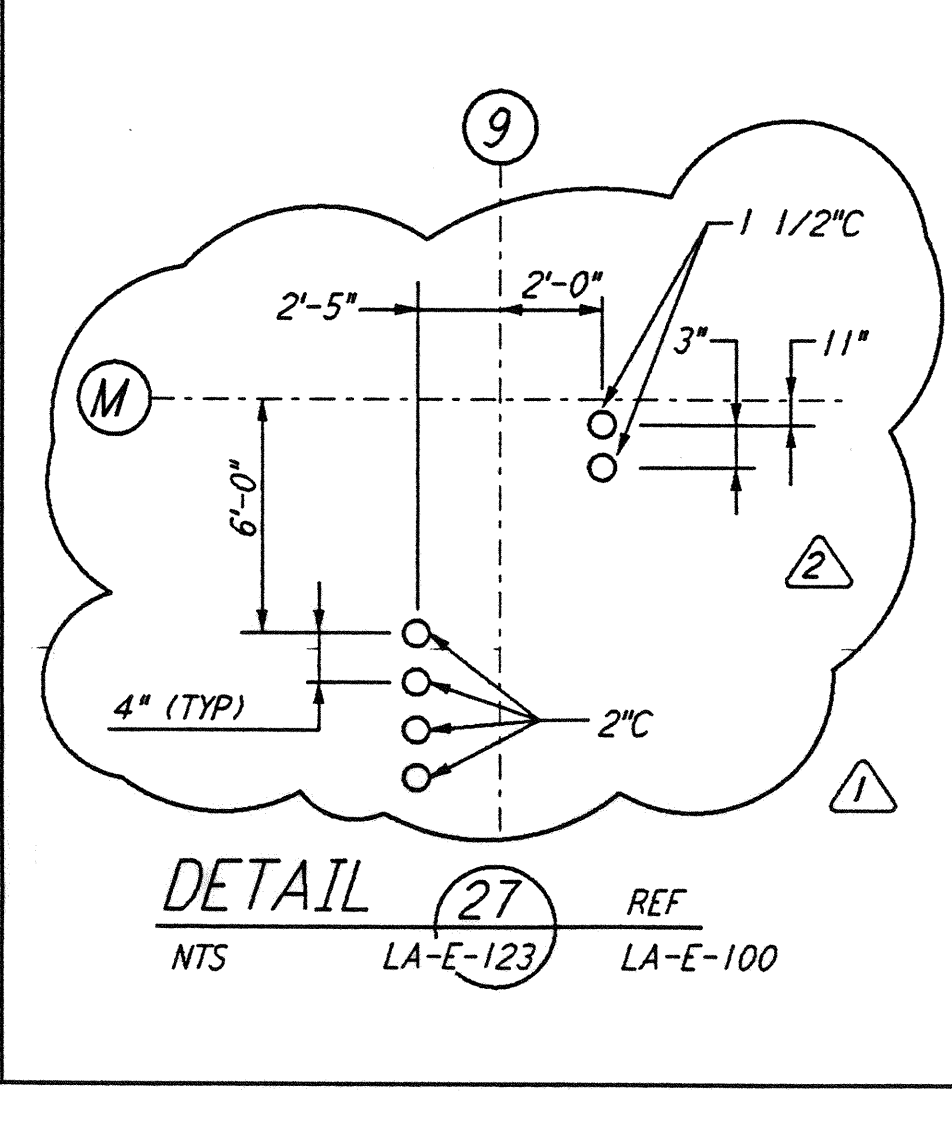
DETAIL 24 REF
 NTS LA-E-123 LA-E-100



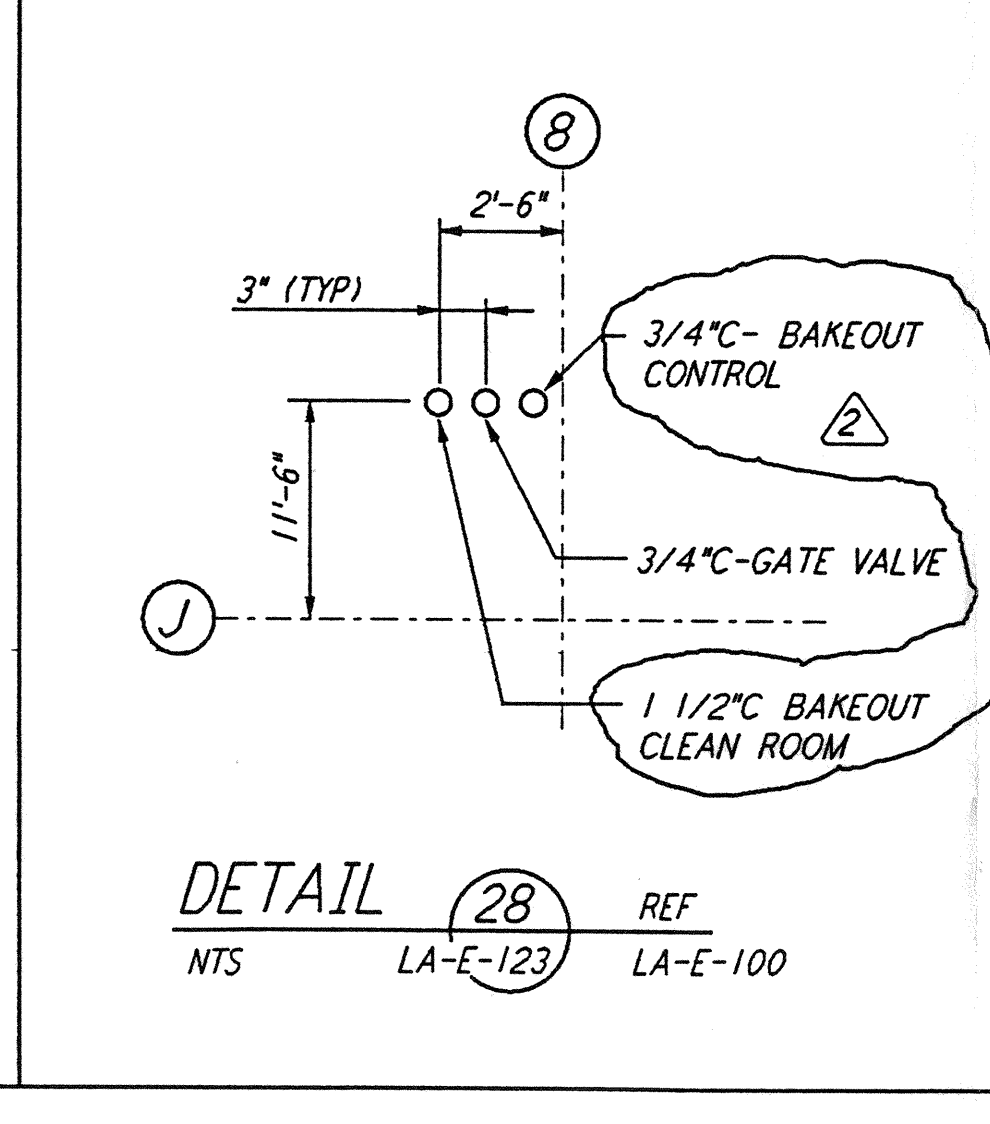
DETAIL 25 REF
 NTS LA-E-123 LA-E-100



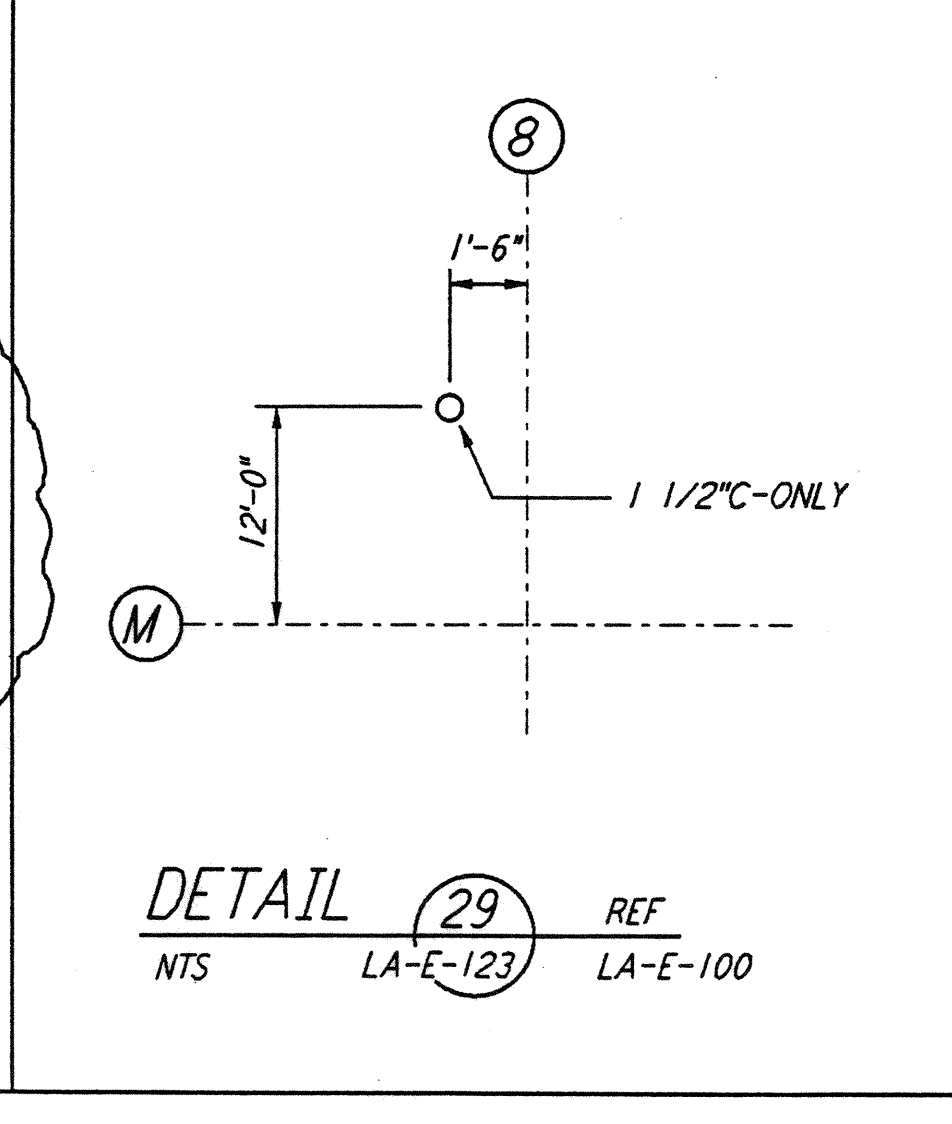
DETAIL 26 REF
 NTS LA-E-123 LA-E-100



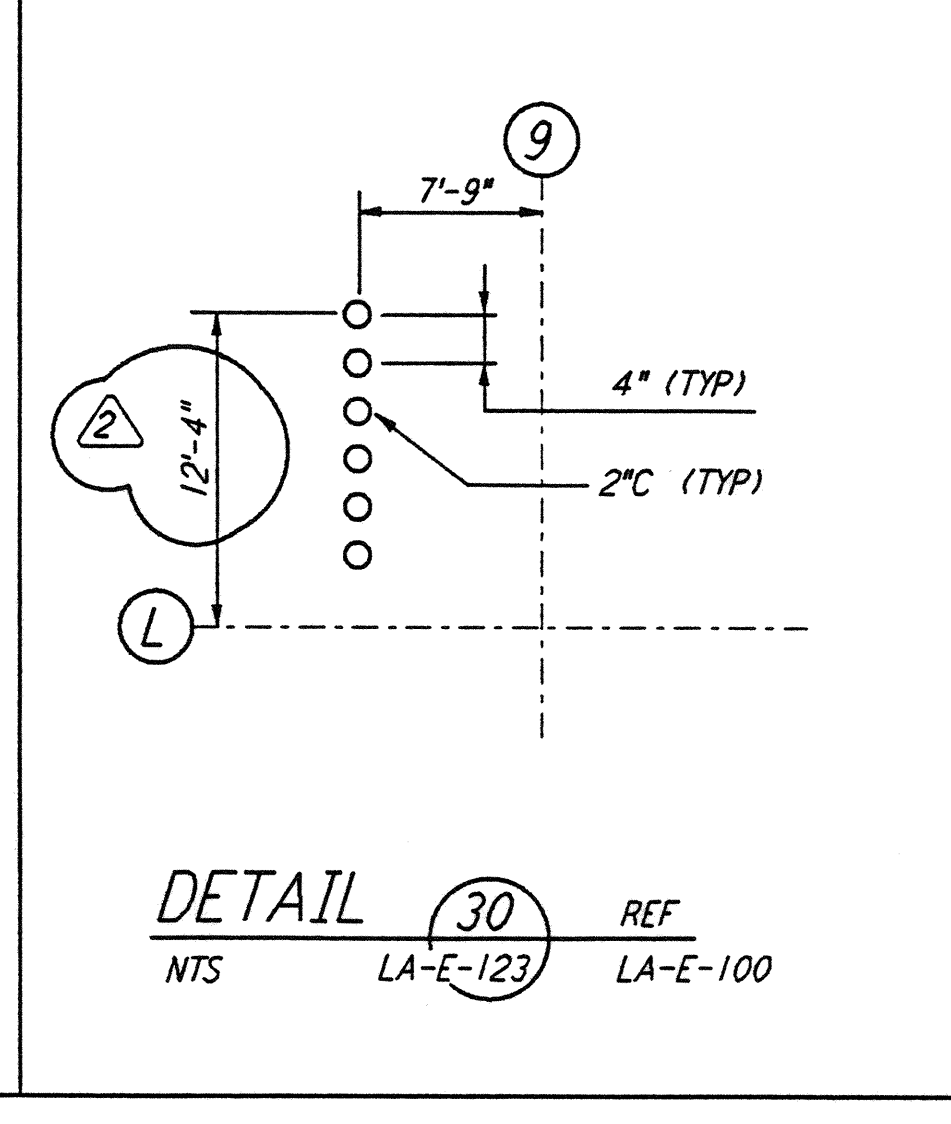
DETAIL 27 REF
 NTS LA-E-123 LA-E-100



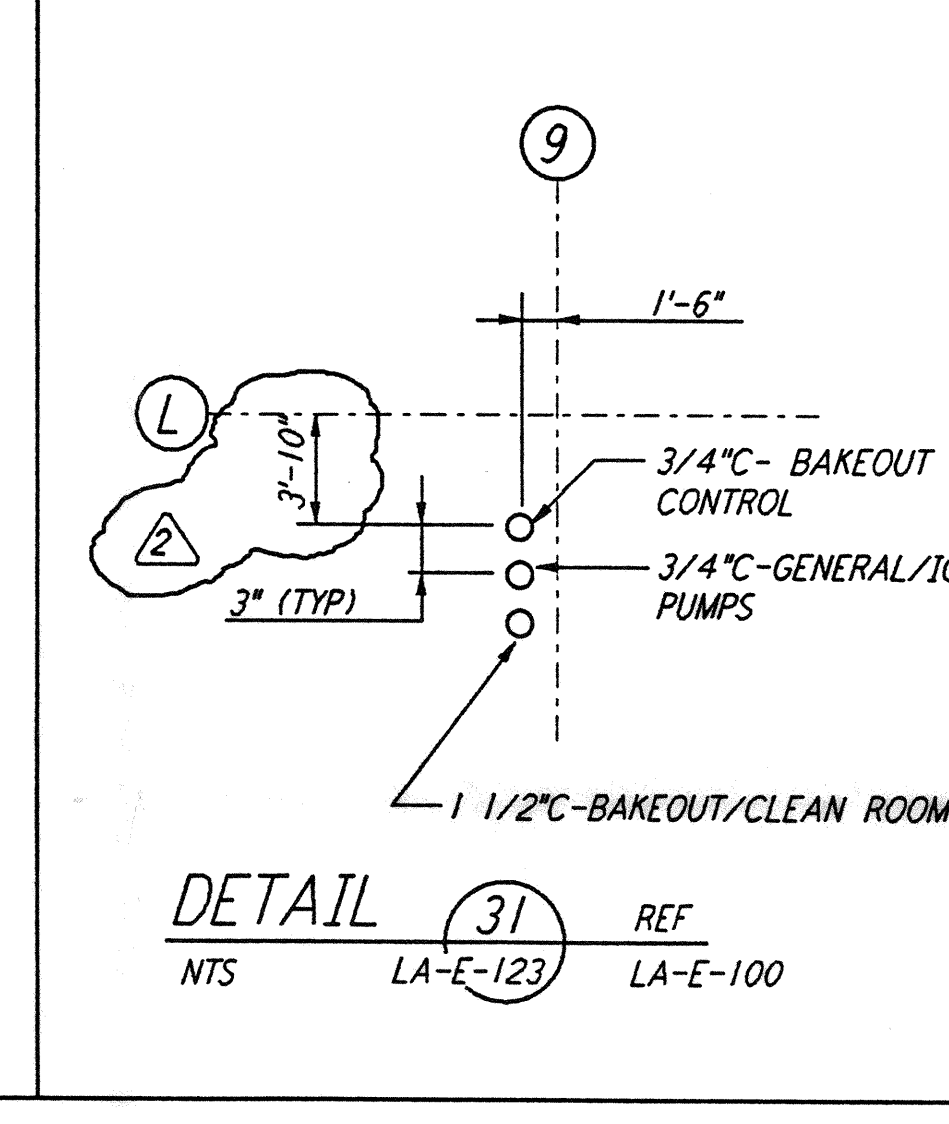
DETAIL 28 REF
 NTS LA-E-123 LA-E-100



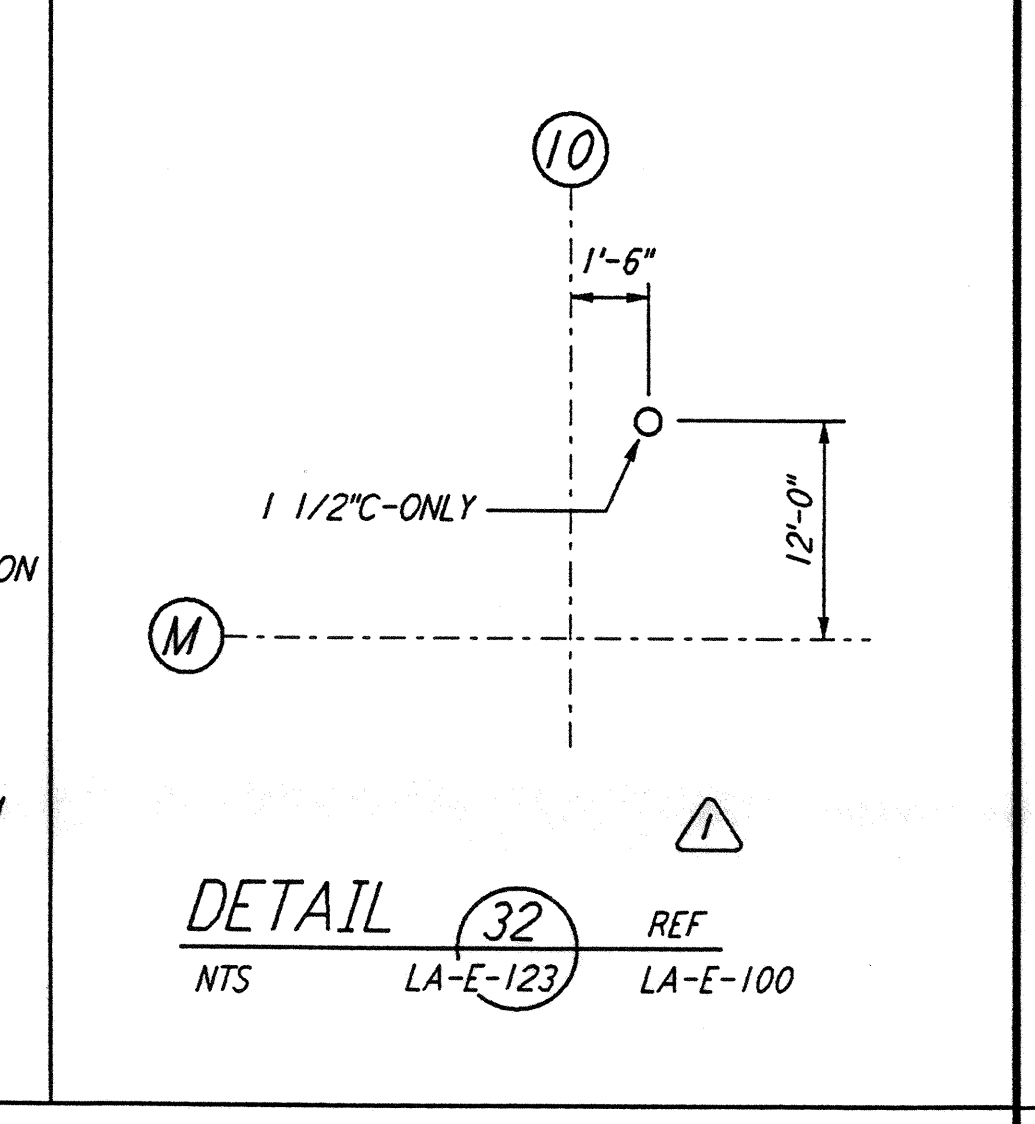
DETAIL 29 REF
 NTS LA-E-123 LA-E-100



DETAIL 30 REF
 NTS LA-E-123 LA-E-100



DETAIL 31 REF
 NTS LA-E-123 LA-E-100



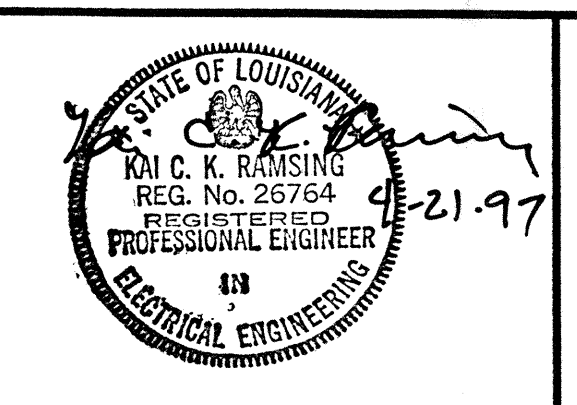
DETAIL 32 REF
 NTS LA-E-123 LA-E-100

NOTE: THE DETAILS ON SHEETS LA-E-123, LA-E-124 AND LA-E-125 SUPERSEDE, ENTIRELY THE DETAILS ON SHEET LA-E-114

LIGO-D961479-02-0

NO.	DATE	BY	CHKD	ENGR	PROJ	DESCRIPTION
2	4-21-97	J. G.	KR	TKM		REVISED FOR CDS AND VAC. EQUIP. GENERAL REVISIONS
1	4-4-97	J. G.	KR	TDM		

ISSUED FOR CONSTRUCTION		
DRAWN	J. G.	3-21-97
CHECKED	B. K.	3-21-97
ENGINEER	K. C. R.	3-21-97
PROJ	T. D. M.	3-21-97



PARSONS
 100 WEST WALNUT STREET
 PASADENA, CALIFORNIA

LIGO
 CALIFORNIA INSTITUTE OF TECHNOLOGY
 MASSACHUSETTS INSTITUTE OF TECHNOLOGY

LASER INTERFEROMETER
 GRAVITATIONAL-WAVE OBSERVATORY
 SITE NO. 2 - LIVINGSTON, LOUISIANA

TITLE	SCALE	CONTRACT NUMBER	PROJECT NUMBER
ELECTRICAL CORNER STATION LVEA AREAS 101, 102, 103, 104 DETAILS	NONE	PP150969	8094
SHEET NUMBER		REVISIONS	
LA-E-123		2	