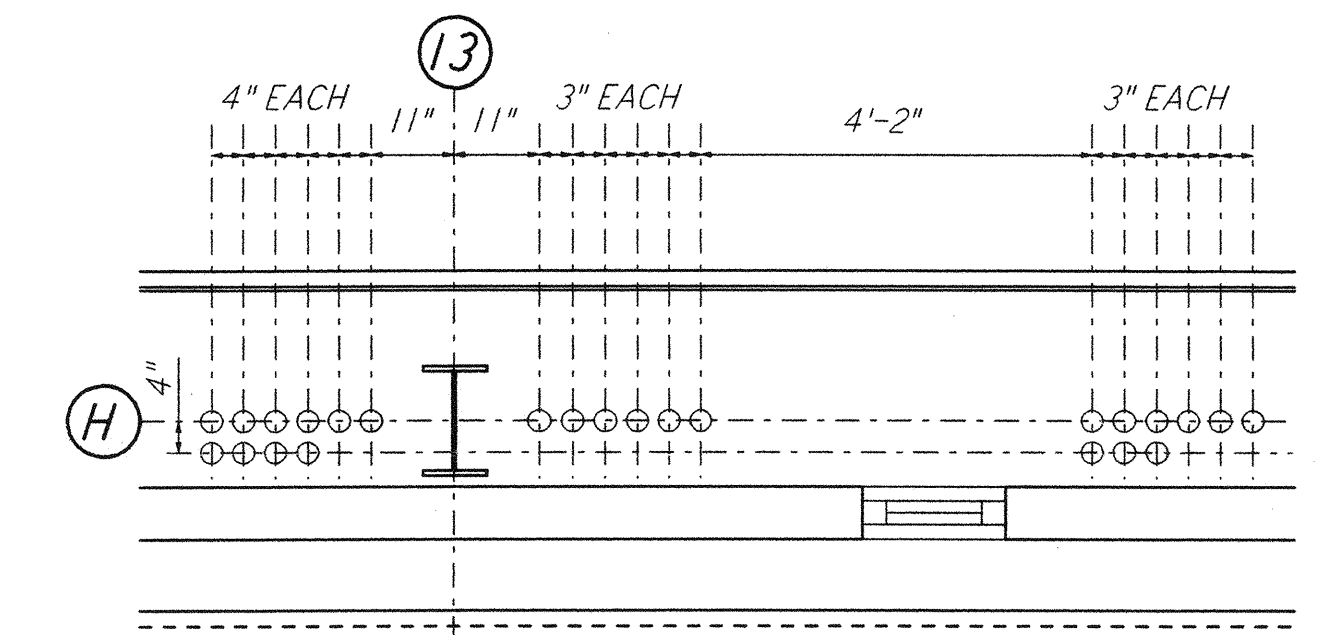
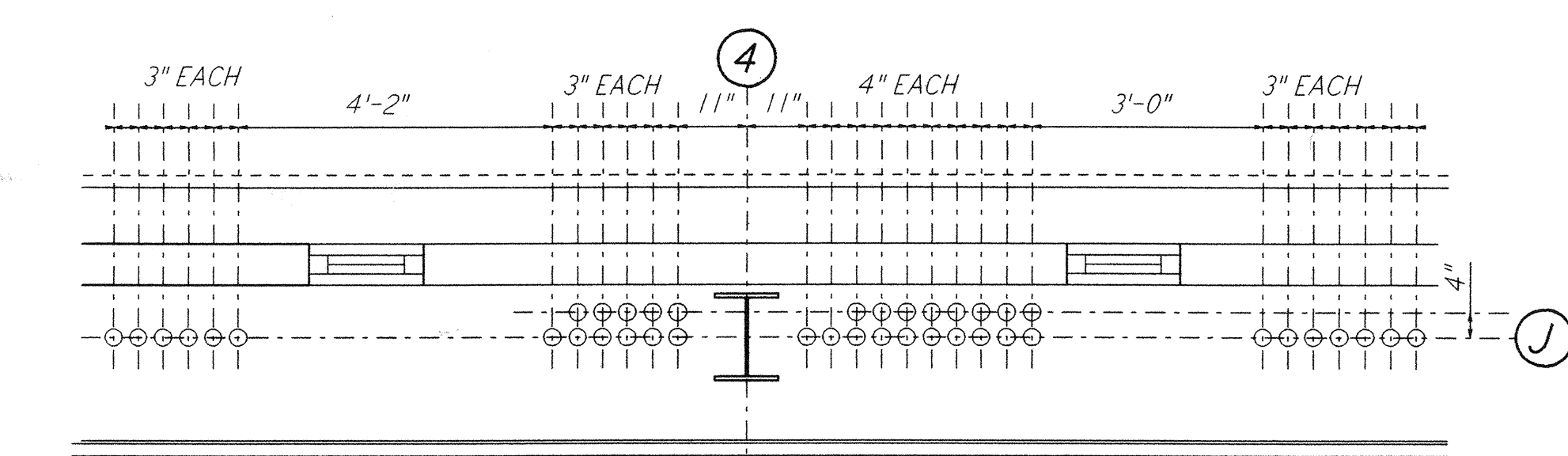
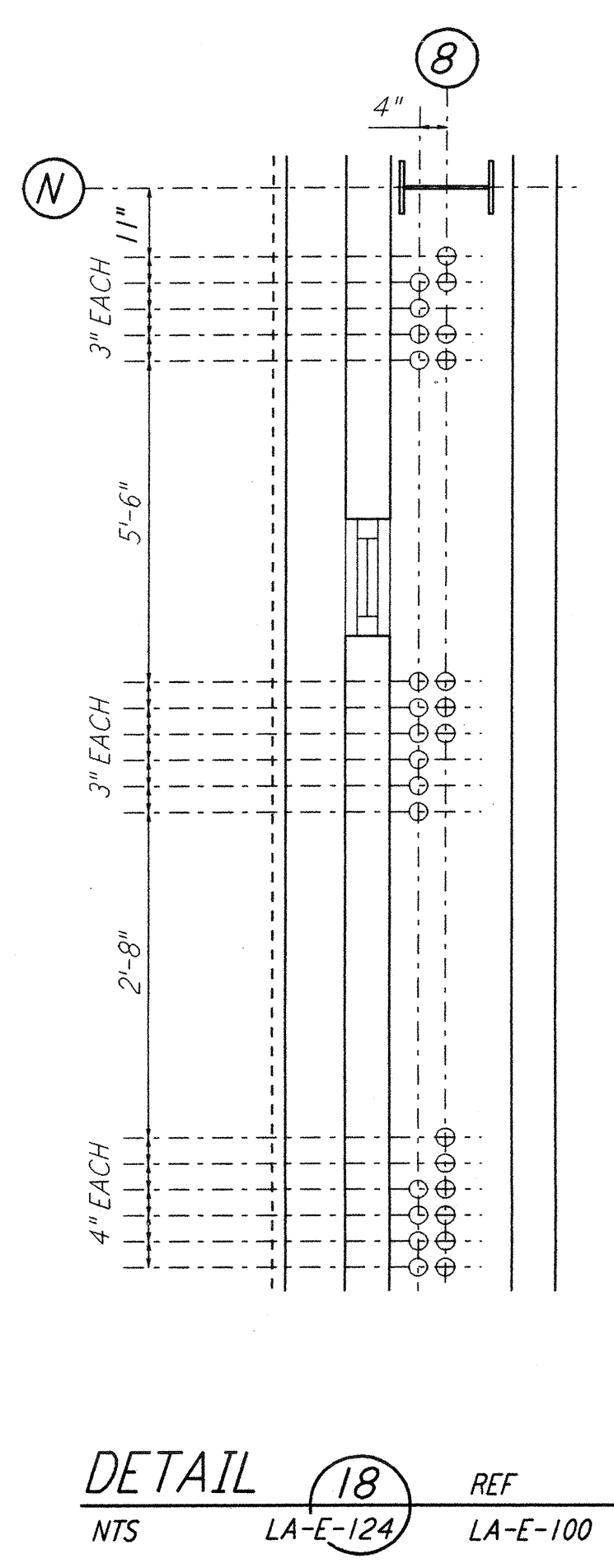
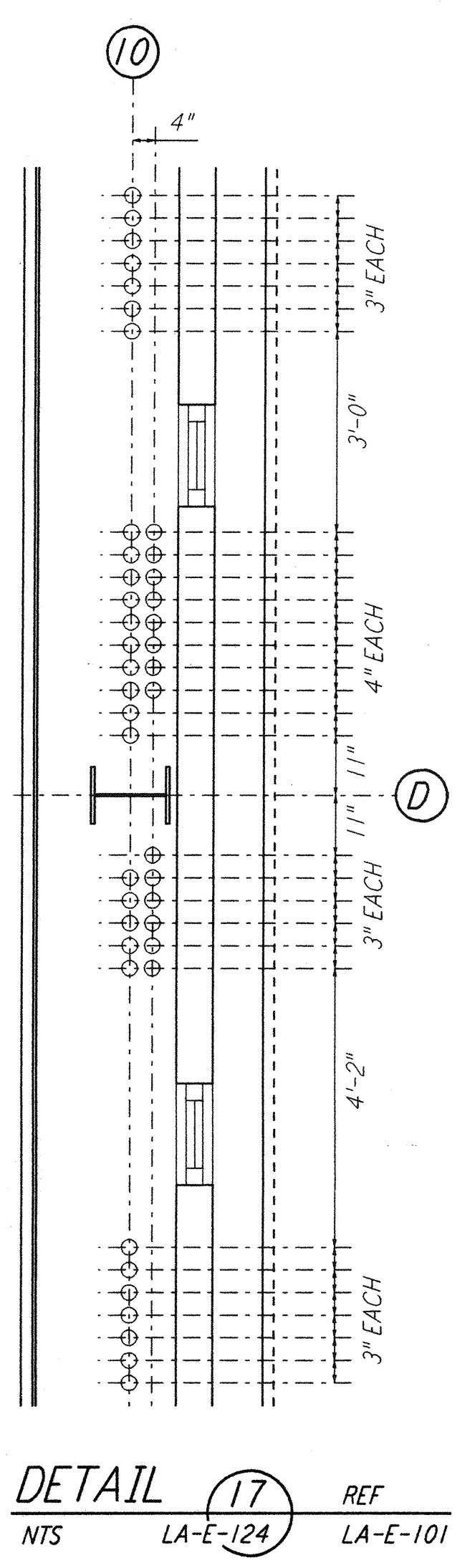
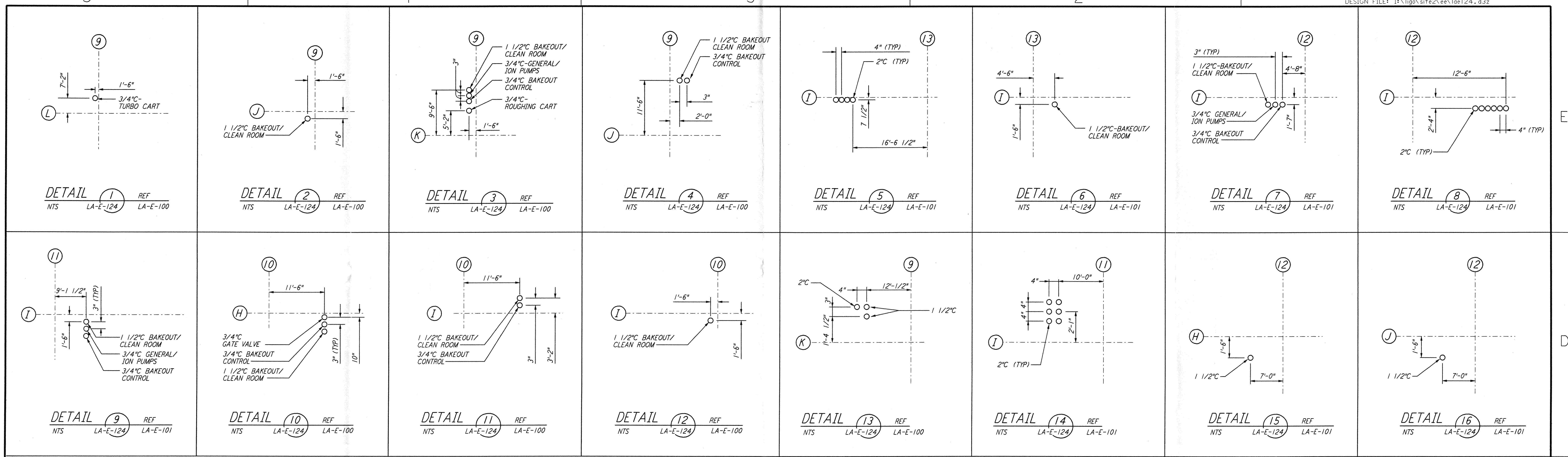


This document and the design it covers are the property of PARSONS. They are loaned only with the borrower's expressed written agreement that they will not be reproduced, copied, loaned, exhibited, or used in any other way, except by written consent from PARSONS to the borrower.



NOTE: THE DETAILS ON SHEETS LA-E-123, LA-E-124 AND LA-E-125 SUPERSEDE, ENTIRELY THE DETAILS ON SHEET LA-E-114

NO.	DATE	BY	CHKD	ENGR	PROJ	DESCRIPTION
3	8-7-98	JE	AK	MS		ISSUED FOR AS-BUILT
2	4-21-97	J.G.	KR	KR	T.D.M.	REVISED FOR CDS AND VAC. EQUIP.
1	4-4-97	J.G.	KR	KR	TDM	GENERAL REVISIONS

ISSUED FOR CONSTRUCTION
 DRAWN J.G. 3-21-97
 CHECKED B.K. 3-21-97
 ENGINEER K.C.R. 3-21-97
 PROJ T.D.M. 3-21-97
AS-BUILT DRAWINGS



LIGO-D961480-03-0

LASER INTERFEROMETER
 CORNER STATION
 SITE NO. 2 - LIVINGSTON, LOUISIANA

TITLE	SCALE	CONTRACT NUMBER	PROJECT NUMBER
ELECTRICAL CORNER STATION LVEA AREAS 101, 102, 103, 104 DETAILS	NONE	PP150969	8094
SHEET NUMBER			REVISIONS
LA-E-124			3

14410656.1988 CA:\PLOT\QUES33\3682.DCF 52085 K:\V3682\ee\lae124.d32