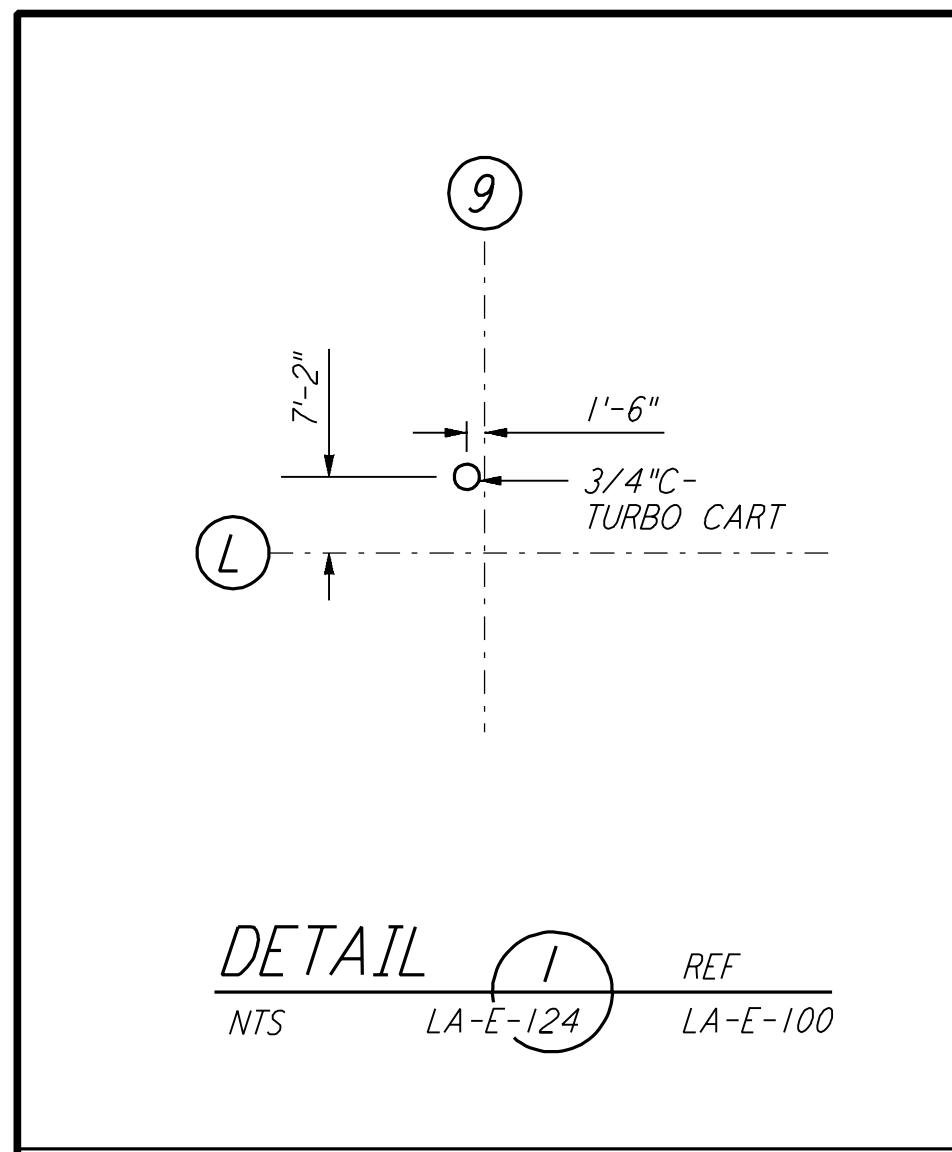
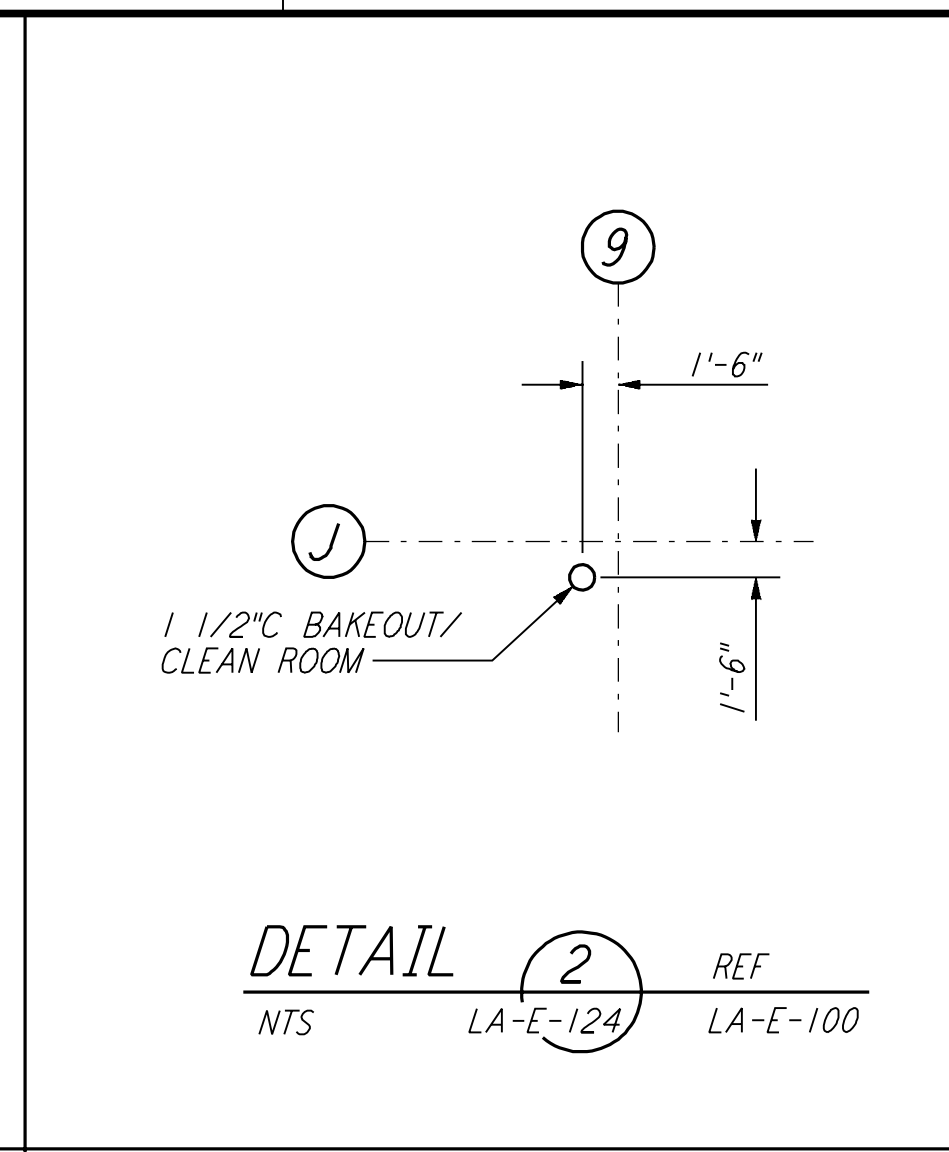


This document and the design it covers are the property of PARSONS. They are loaned only with the borrower's expressed written agreement that they will not be reproduced, copied, loaned, exhibited, or used in any other way, except by written consent from PARSONS to the borrower.

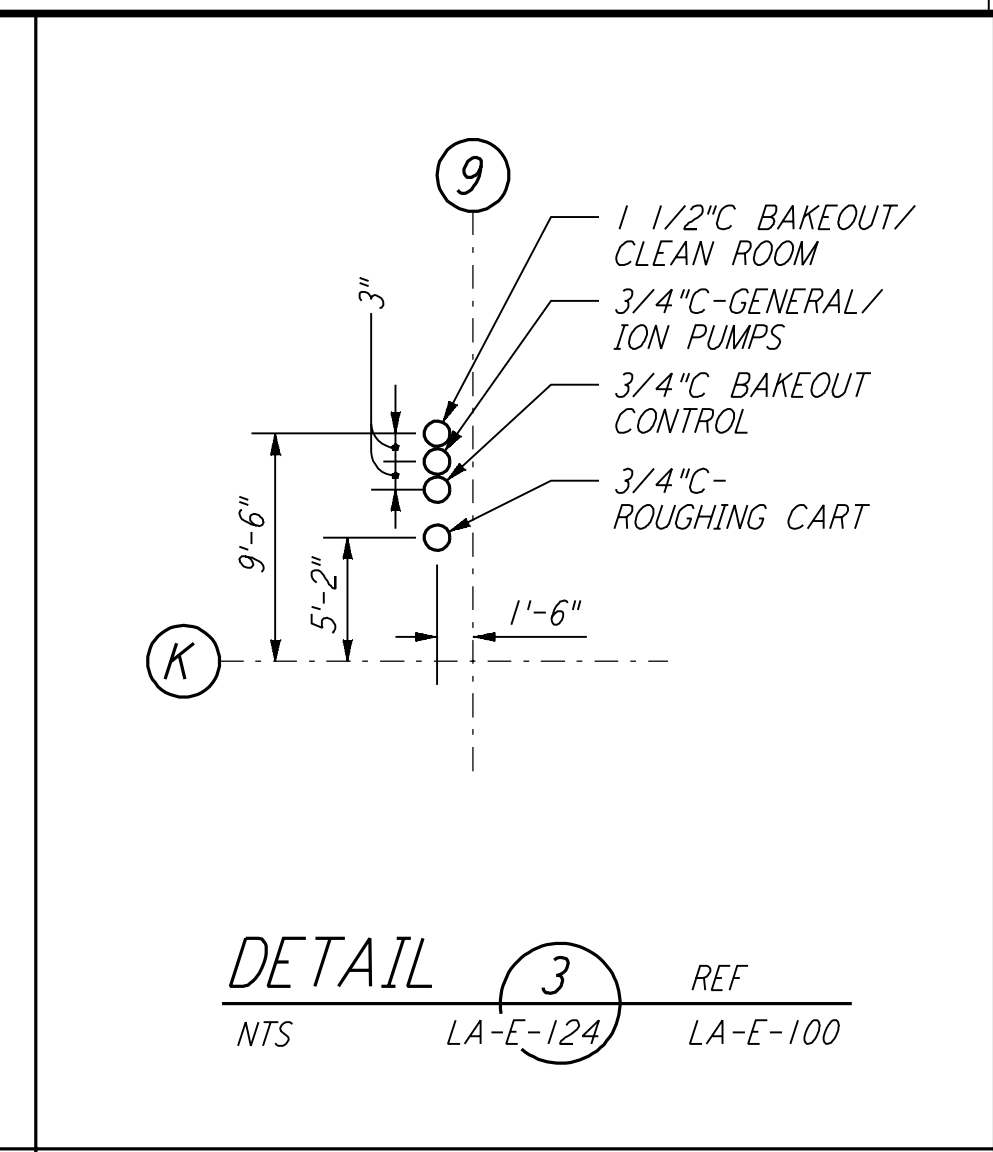
This document and the design it covers are the property of PARSONS. They are loaned only with the borrower's expressed written agreement that they will not be reproduced, copied, loaned, exhibited, or used in any other way, except by written consent from PARSONS to the borrower.



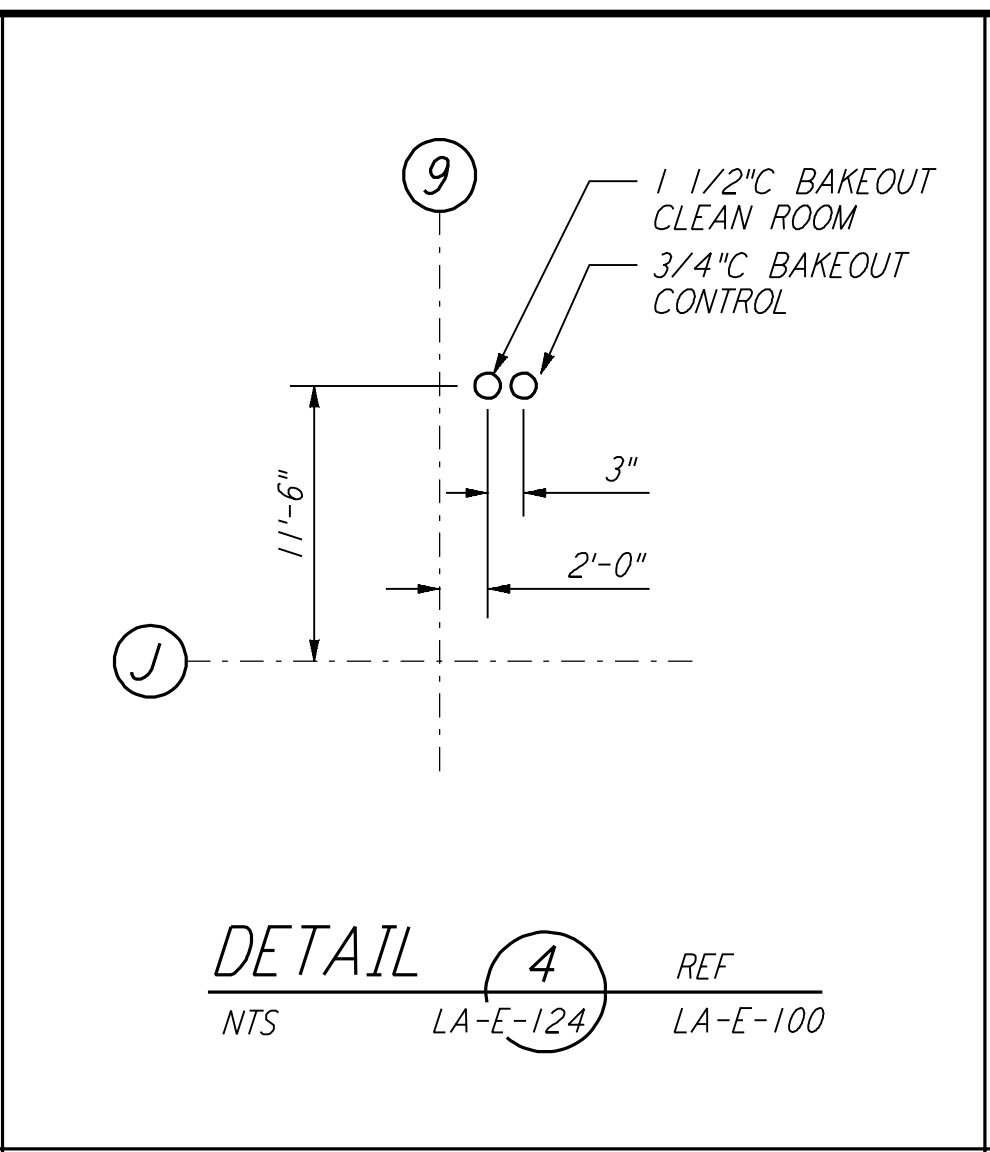
DETAIL 1 REF
 NTS LA-E-124 LA-E-100



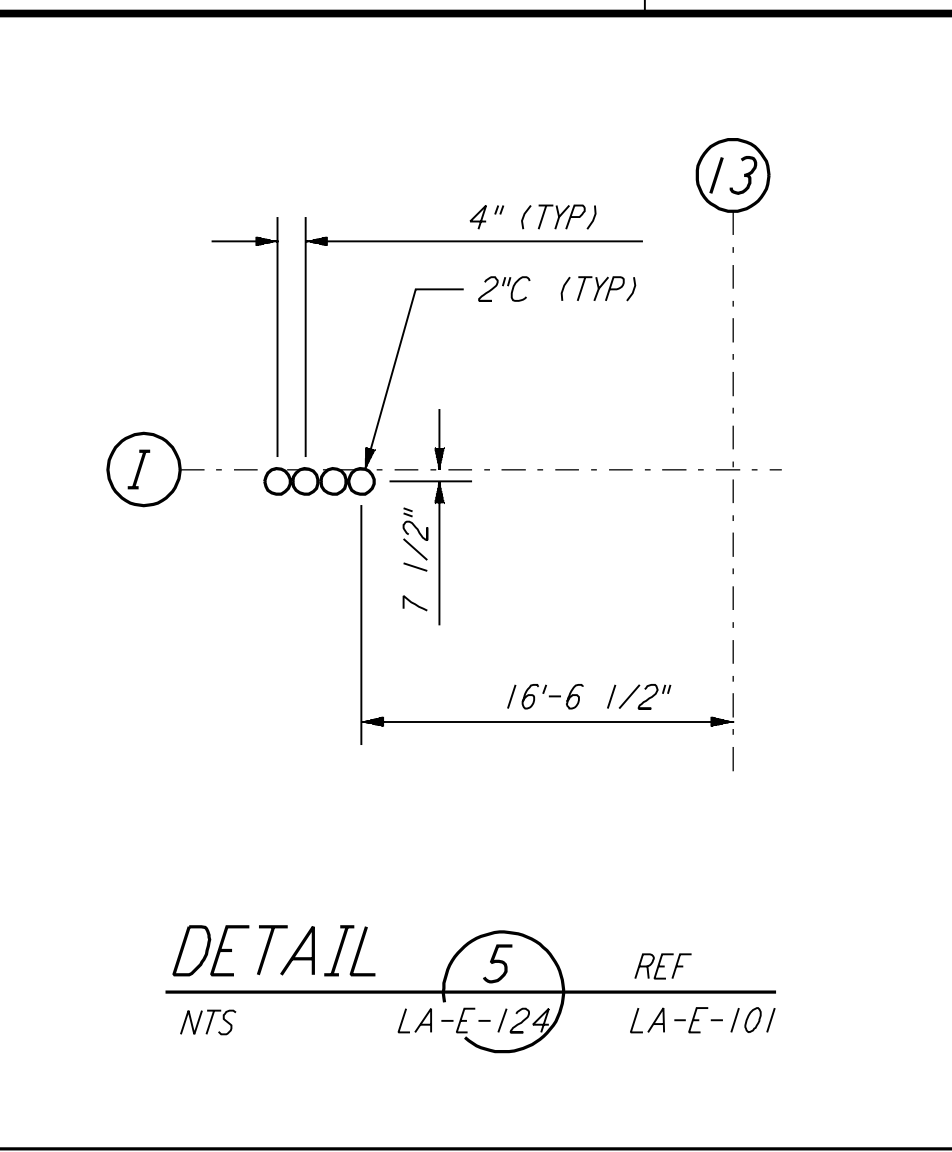
DETAIL 2 REF
 NTS LA-E-124 LA-E-100



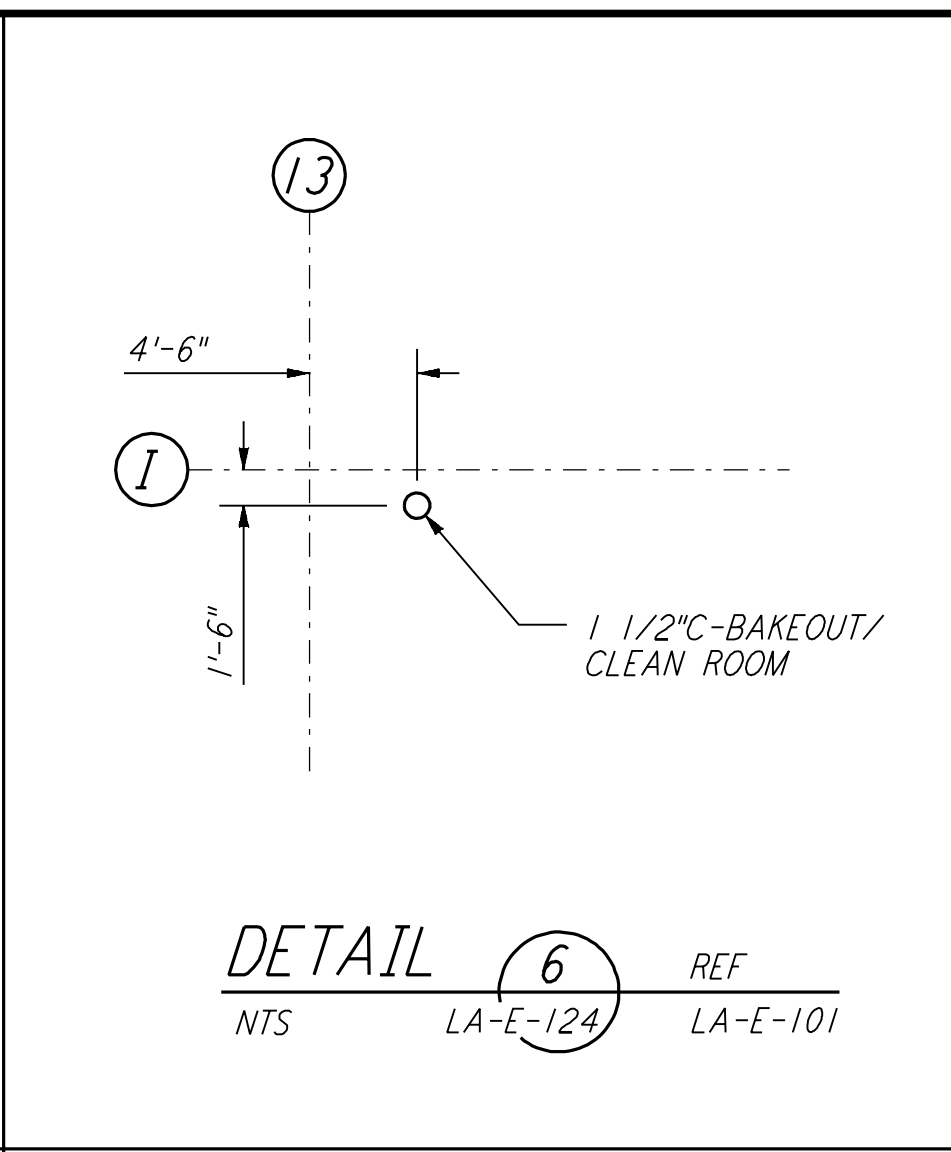
DETAIL 3 REF
 NTS LA-E-124 LA-E-100



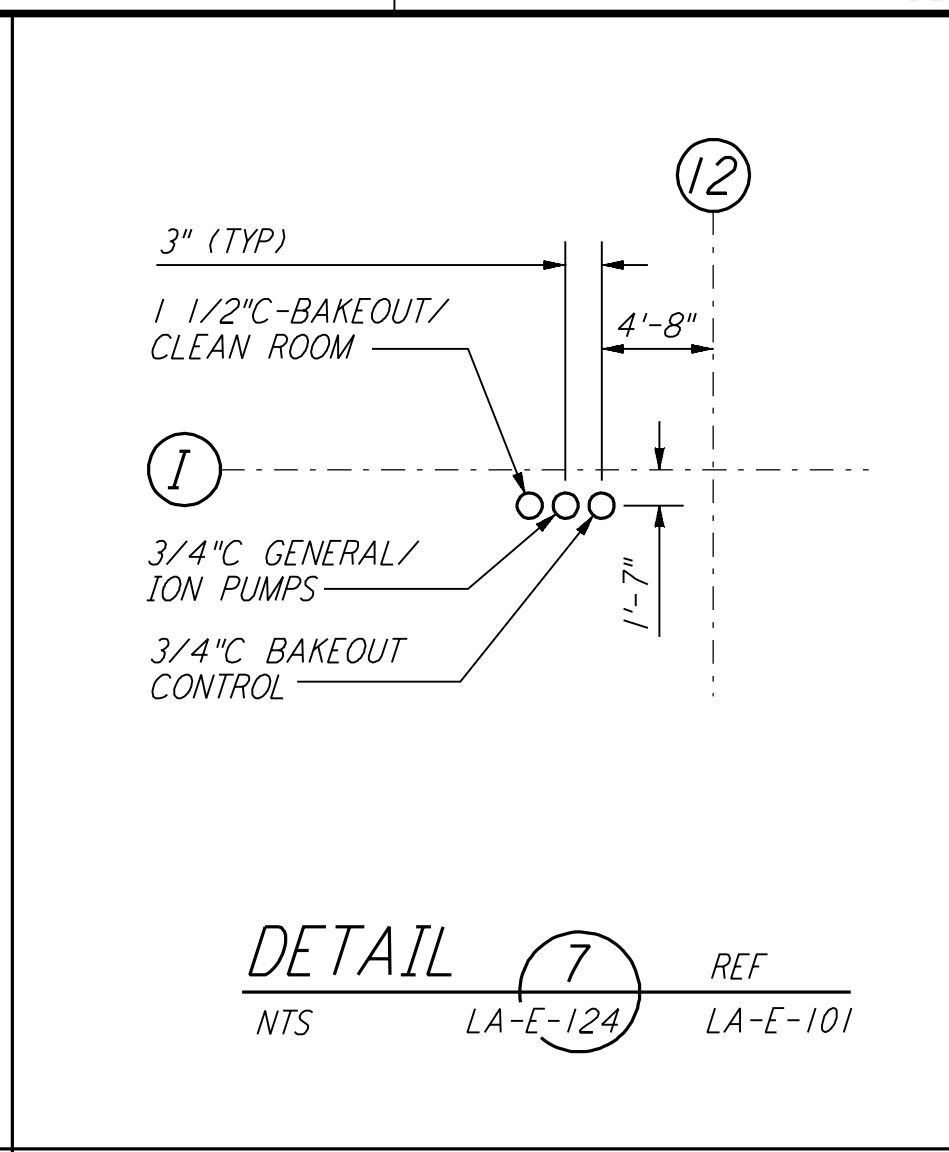
DETAIL 4 REF
 NTS LA-E-124 LA-E-100



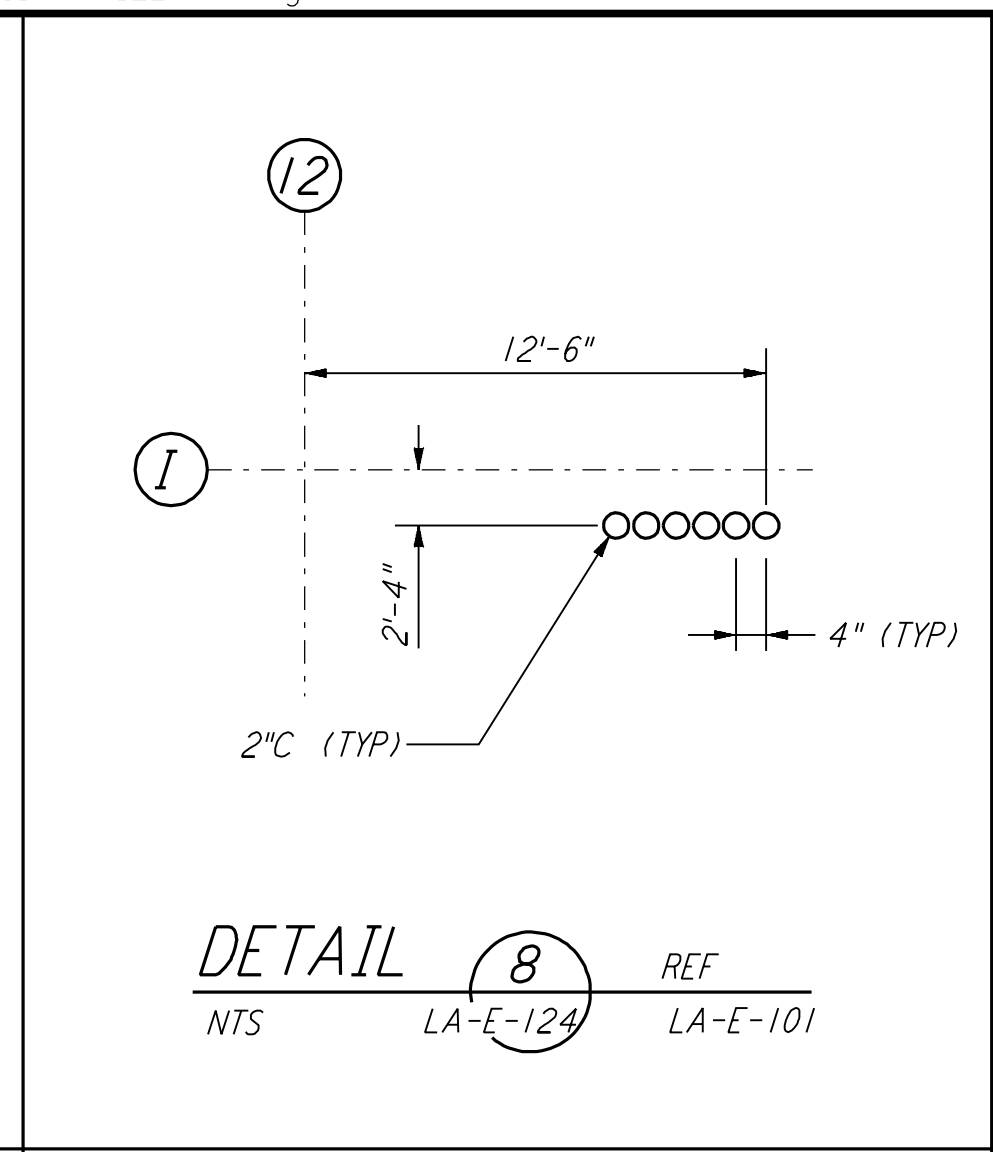
DETAIL 5 REF
 NTS LA-E-124 LA-E-101



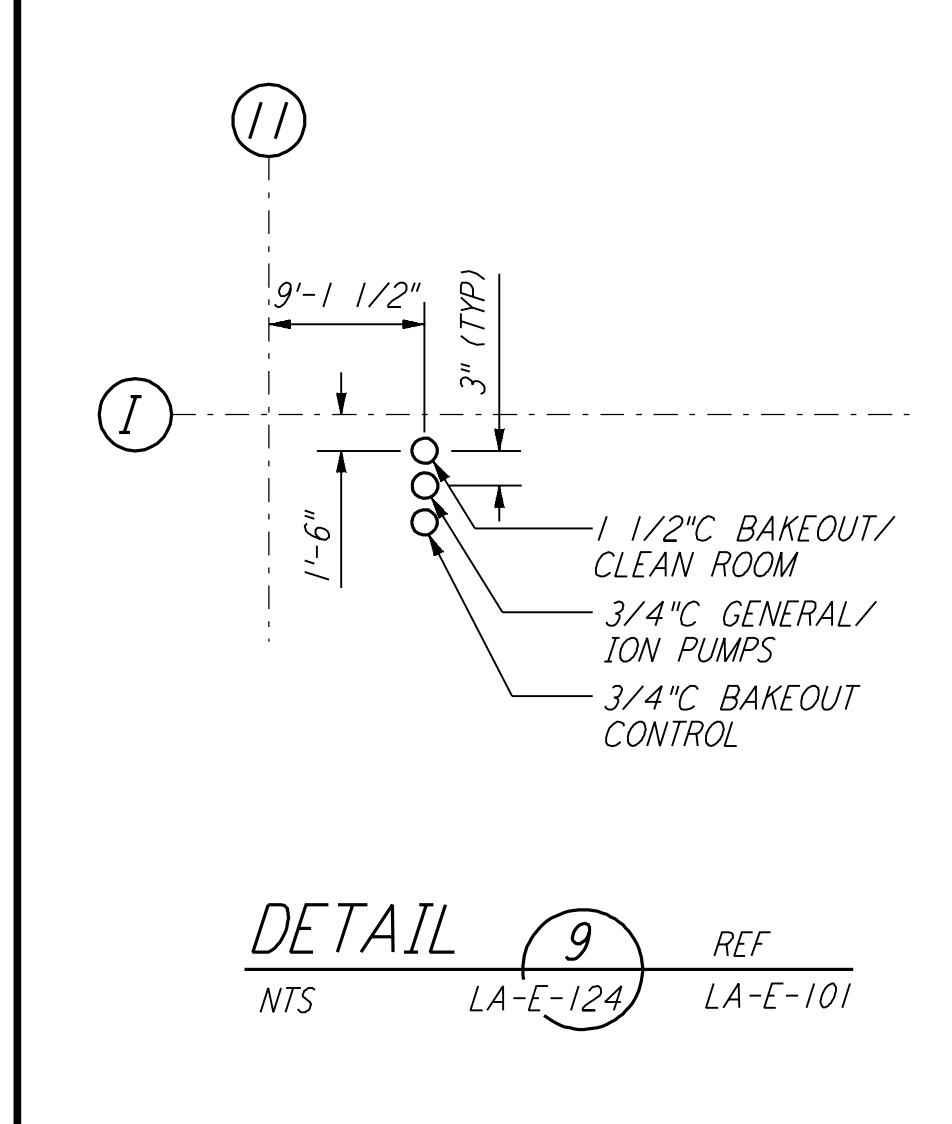
DETAIL 6 REF
 NTS LA-E-124 LA-E-101



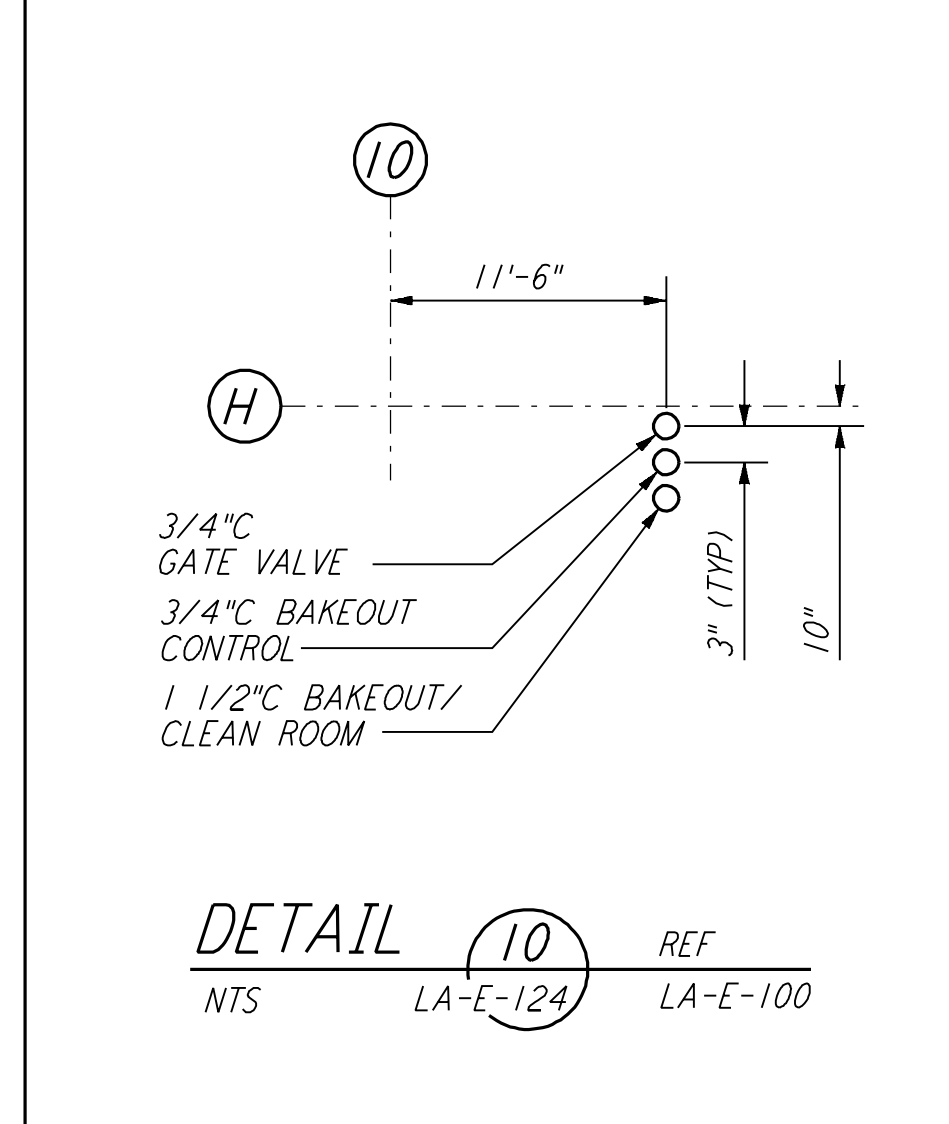
DETAIL 7 REF
 NTS LA-E-124 LA-E-101



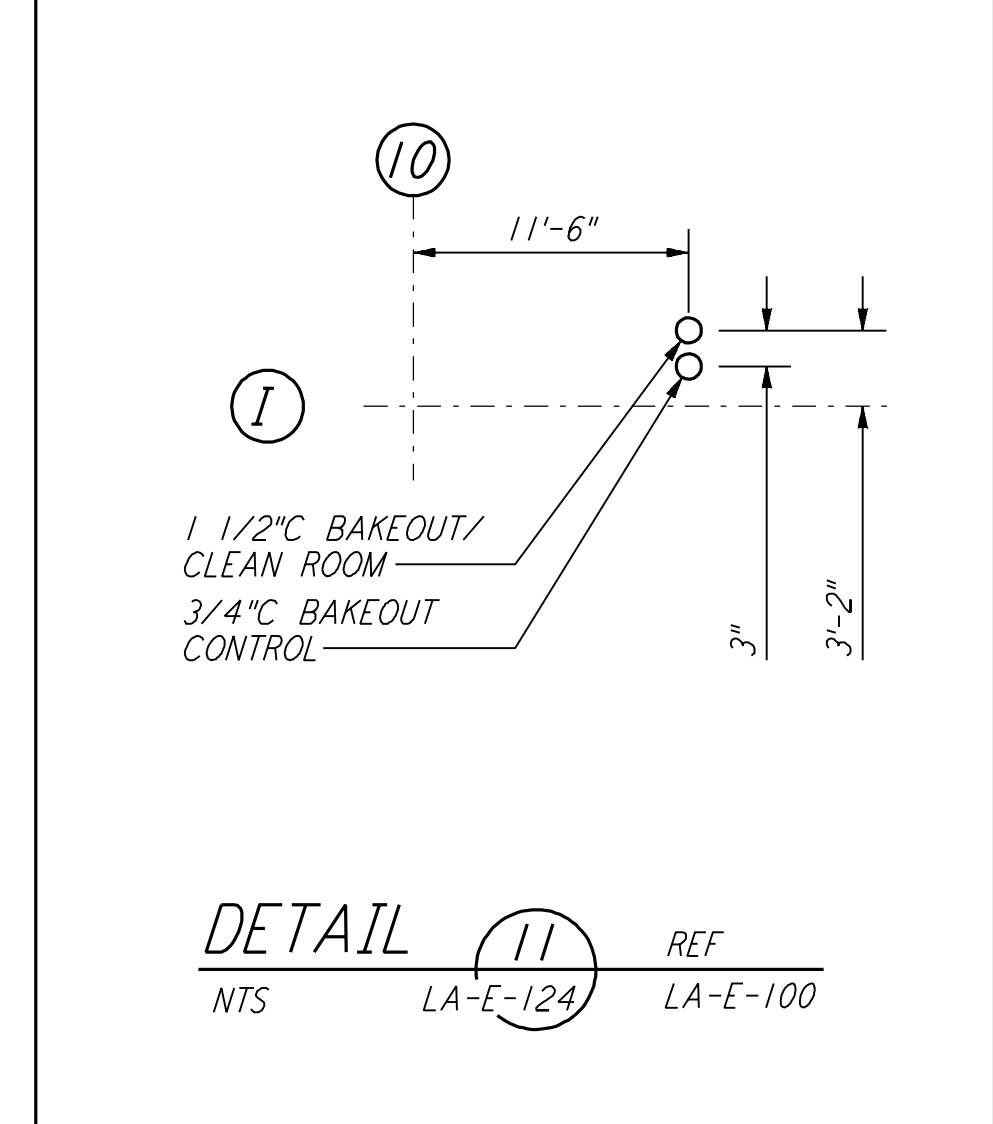
DETAIL 8 REF
 NTS LA-E-124 LA-E-101



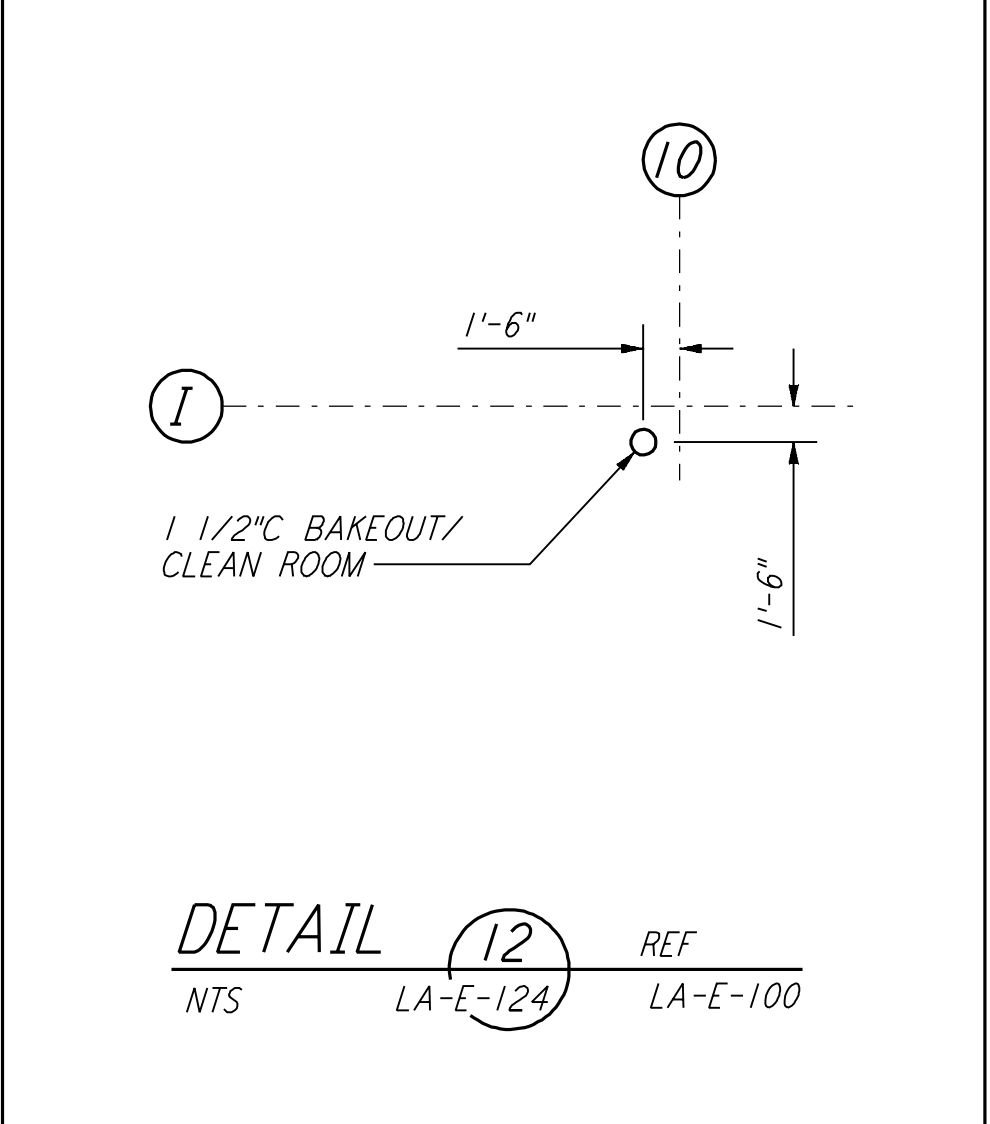
DETAIL 9 REF
 NTS LA-E-124 LA-E-101



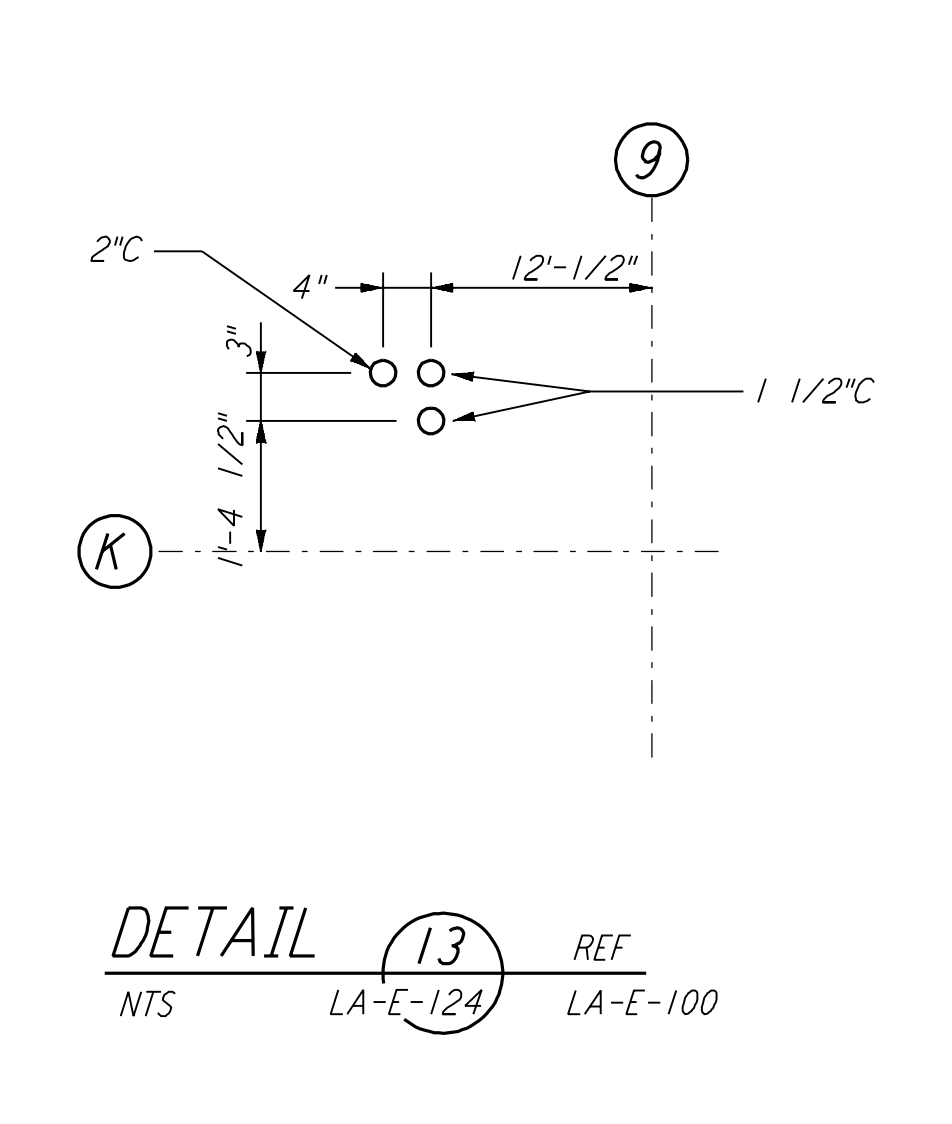
DETAIL 10 REF
 NTS LA-E-124 LA-E-100



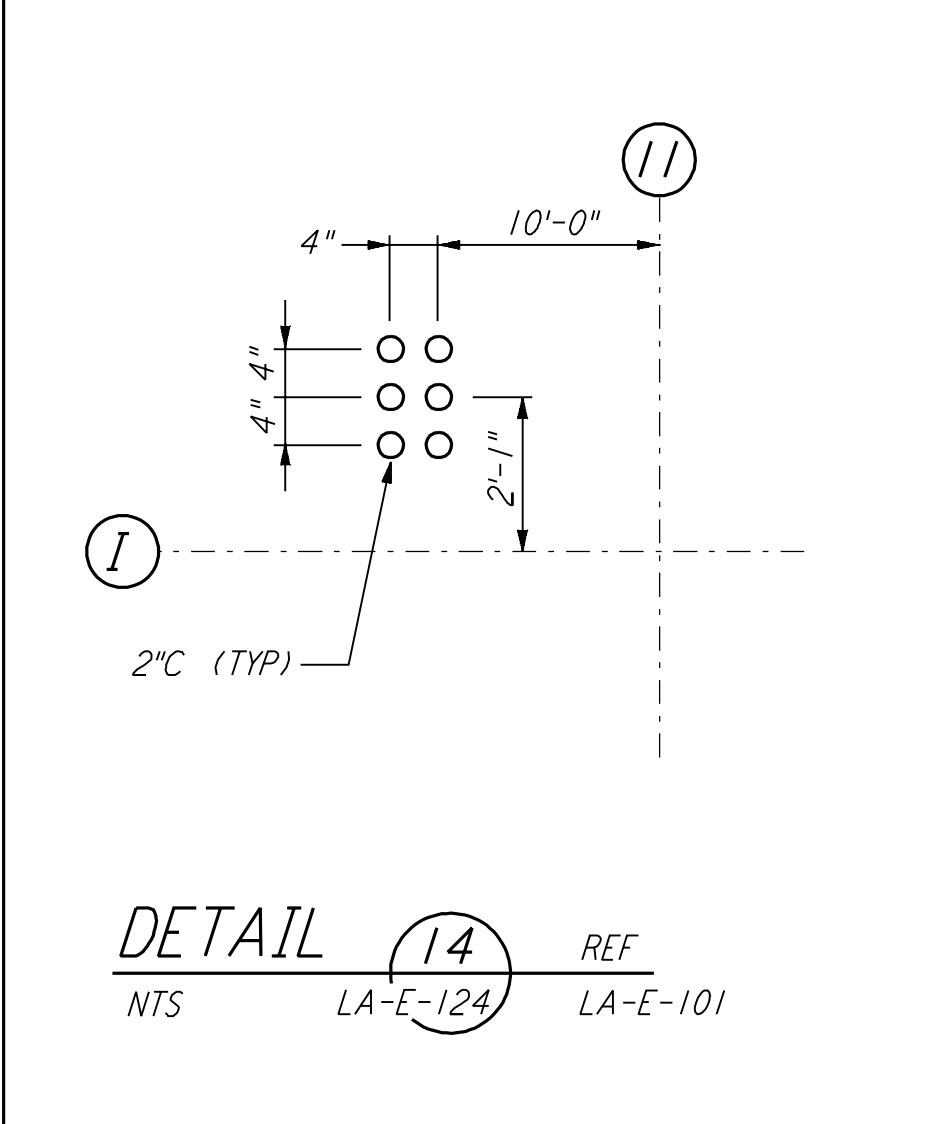
DETAIL 11 REF
 NTS LA-E-124 LA-E-100



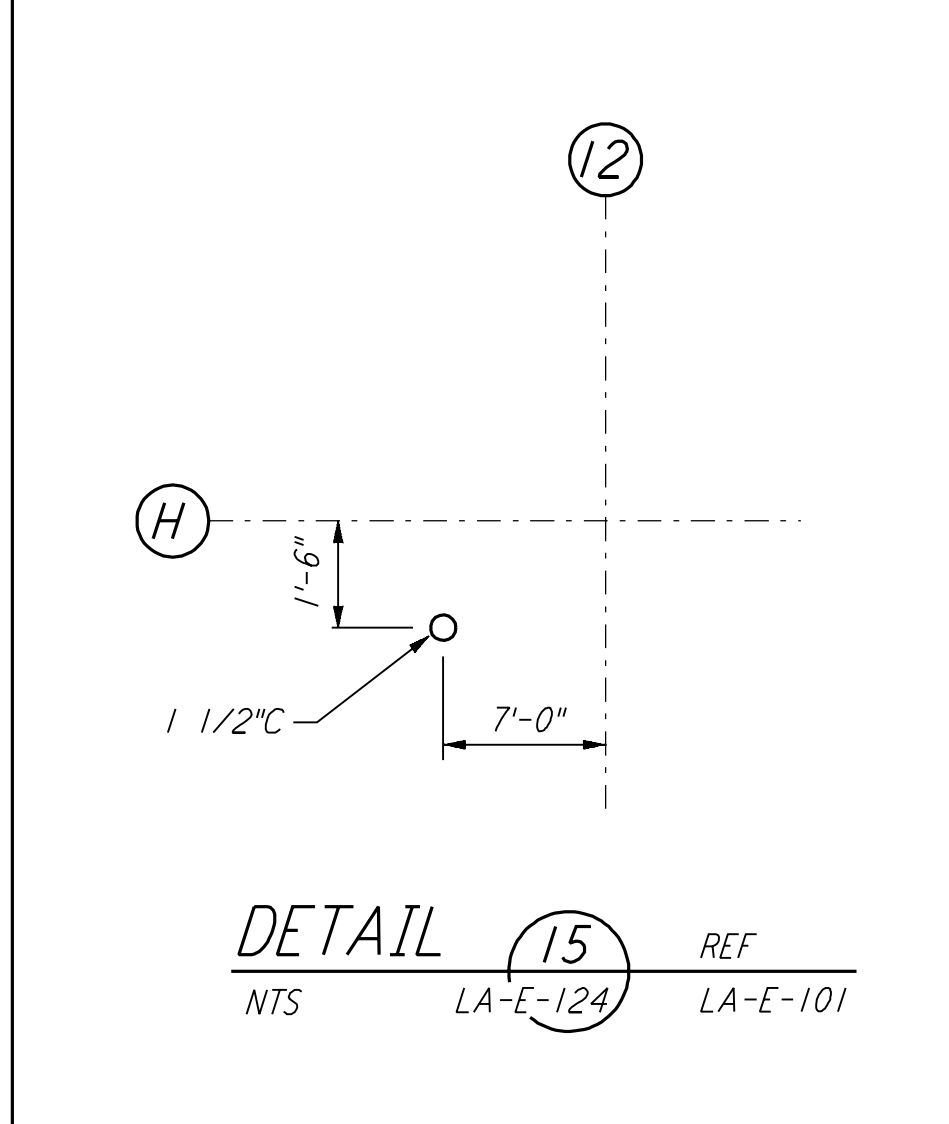
DETAIL 12 REF
 NTS LA-E-124 LA-E-100



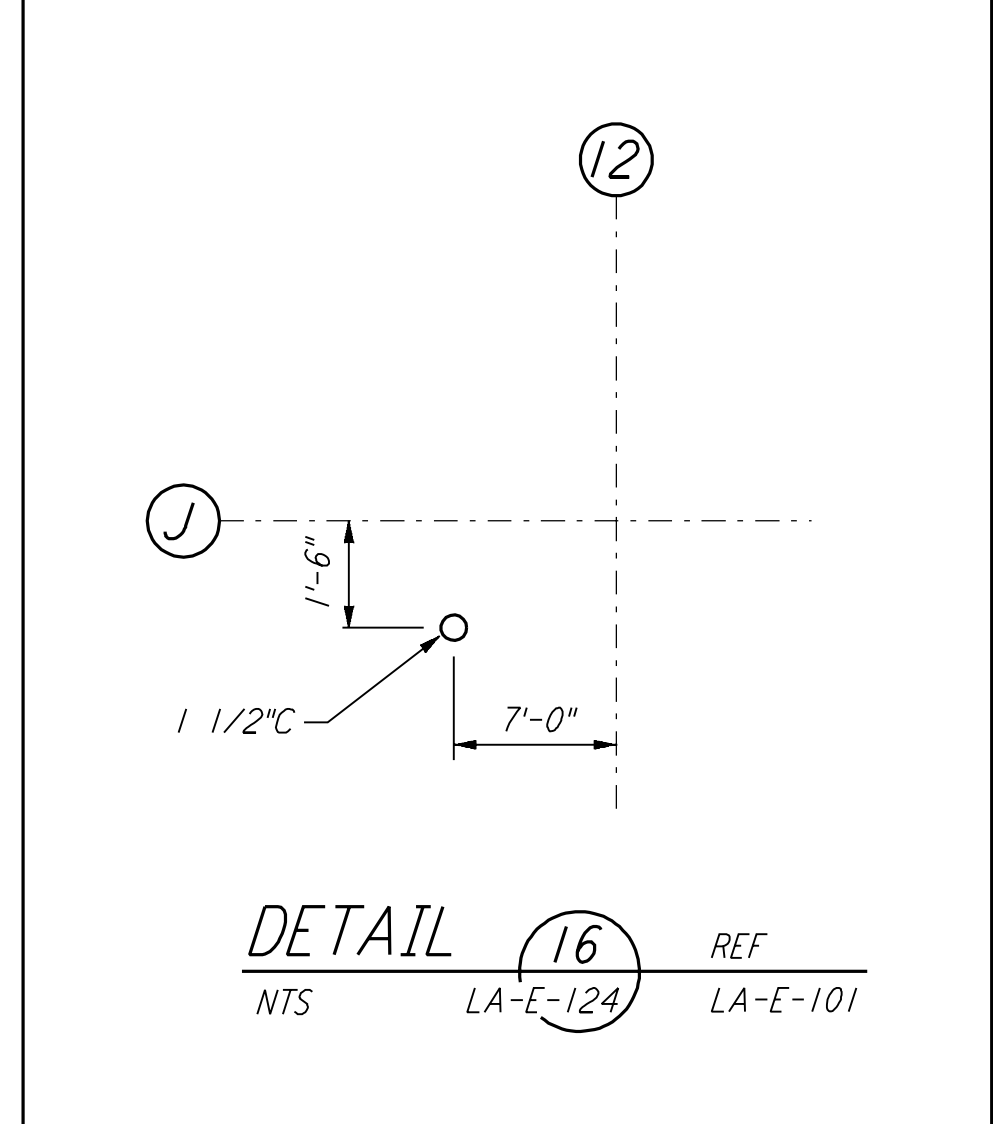
DETAIL 13 REF
 NTS LA-E-124 LA-E-100



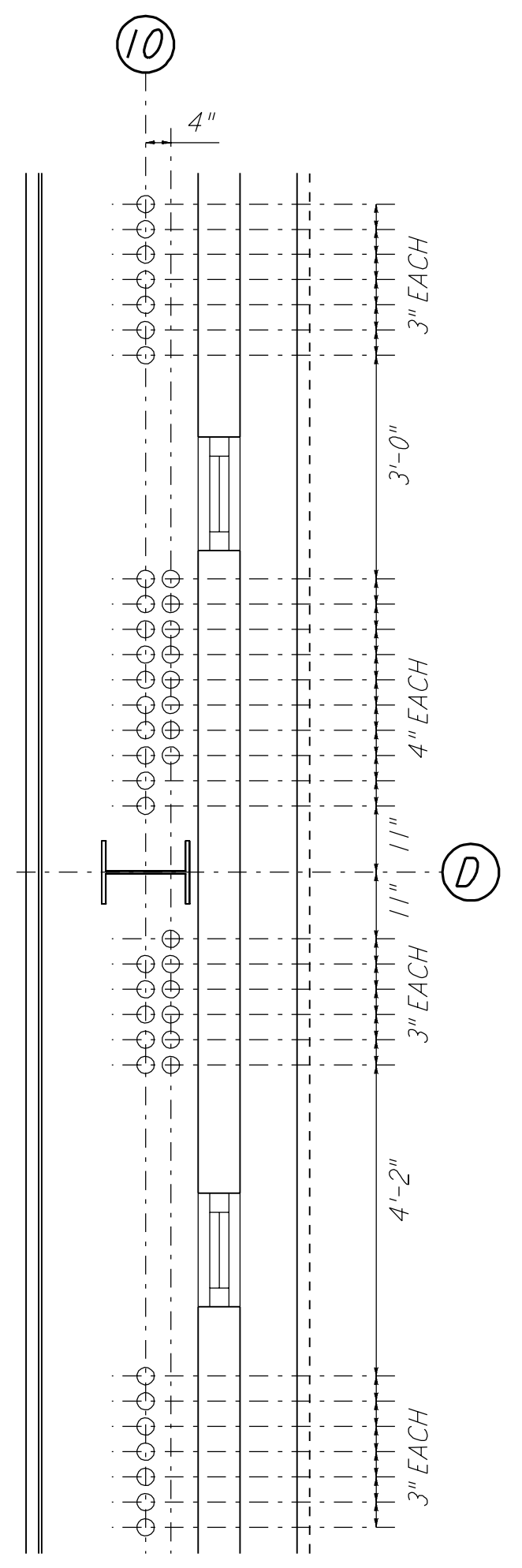
DETAIL 14 REF
 NTS LA-E-124 LA-E-101



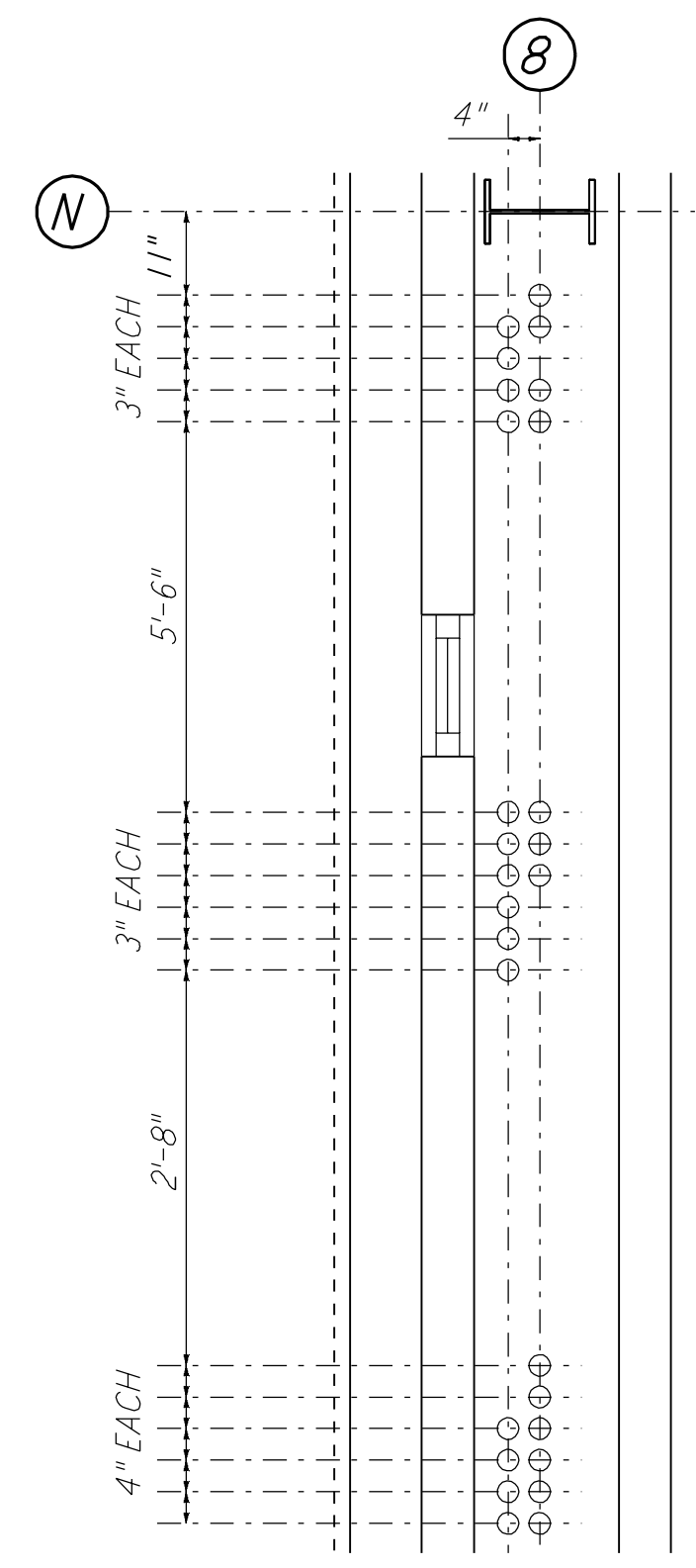
DETAIL 15 REF
 NTS LA-E-124 LA-E-101



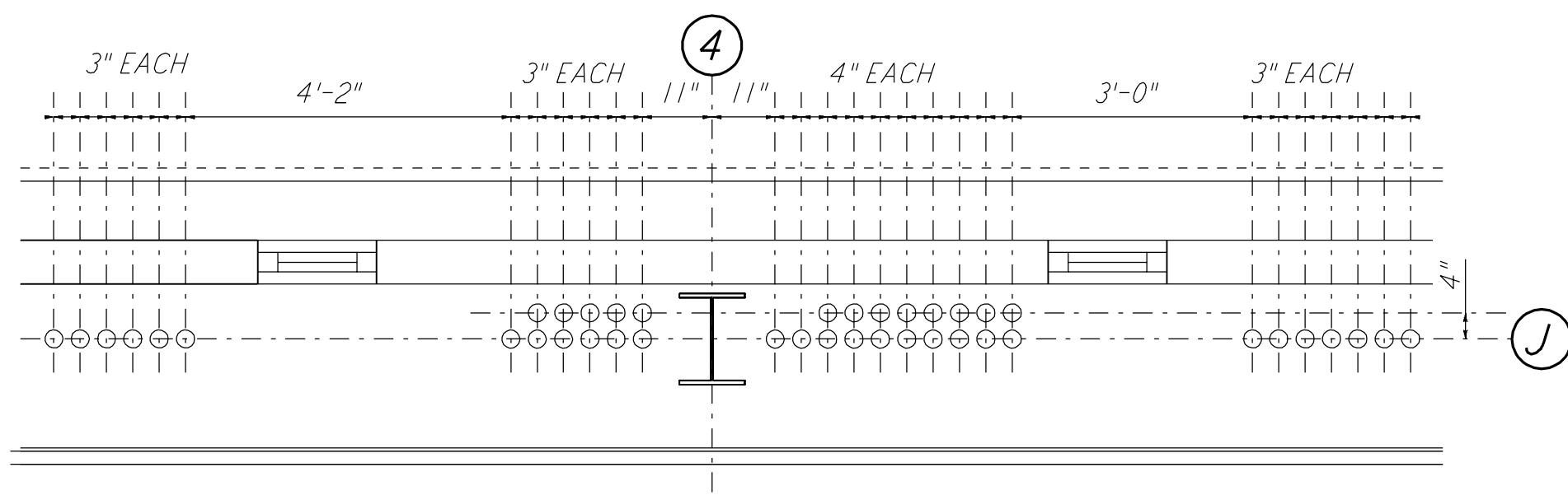
DETAIL 16 REF
 NTS LA-E-124 LA-E-101



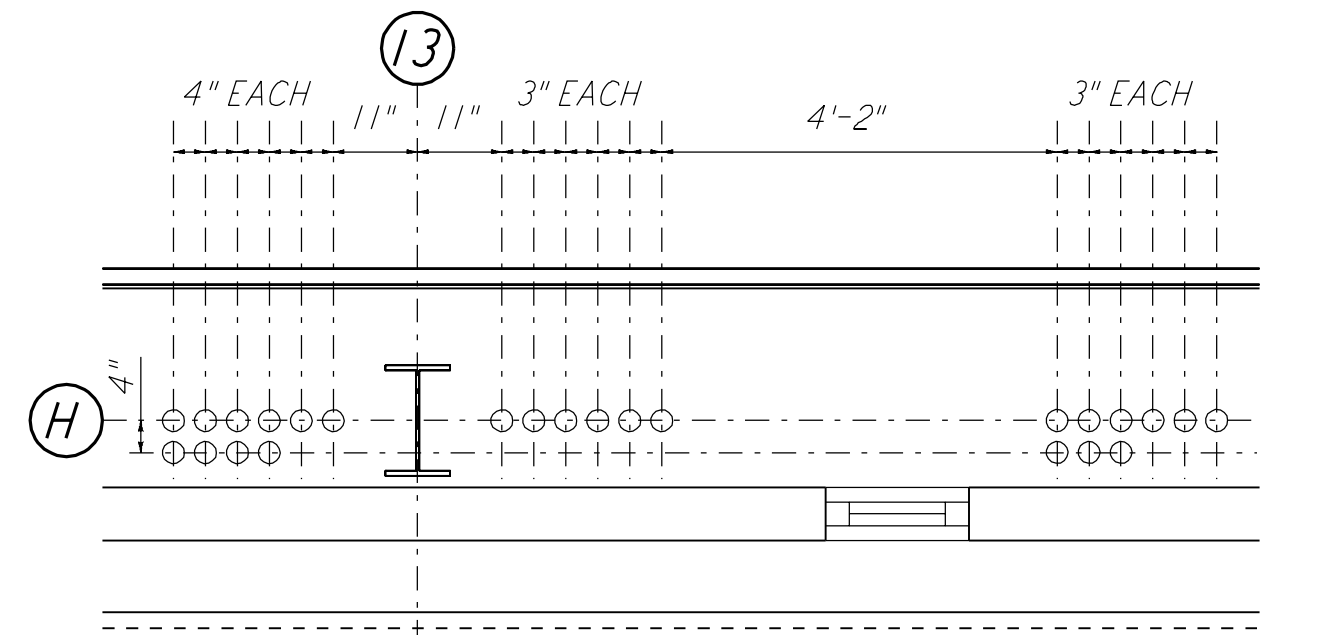
DETAIL 17 REF
 NTS LA-E-124 LA-E-101



DETAIL 18 REF
 NTS LA-E-124 LA-E-100



DETAIL 19 REF
 NTS LA-E-124 LA-E-100



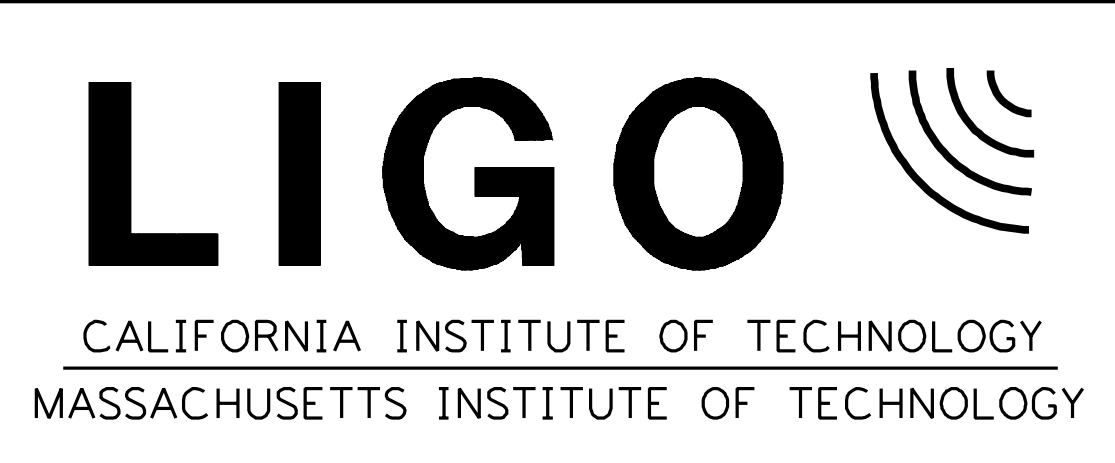
DETAIL 20 REF
 NTS LA-E-124 LA-E-101

NOTE: THE DETAILS ON SHEETS LA-E-123, LA-E-124 AND LA-E-125 SUPERSEDE, ENTIRELY THE DETAILS ON SHEET LA-E-114

NO.	DATE	BY	CHKD	ENGR	PROJ	DESCRIPTION
3	8-7-98	JE				ISSUED FOR AS-BUILT
2	4-21-97	J.G.	KR	KR	T.D.M.	REVISED FOR CDS AND VAC. EQUIP.
1	4-4-97	J.G.	KR	KR	TDM	GENERAL REVISIONS

ISSUED FOR CONSTRUCTION
 DRAWN J.G. 3-21-97
 CHECKED B.K. 3-21-97
 ENGINEER K.C.R. 3-21-97
 PROJ T.D.M. 3-21-97

AS-BUILT DRAWINGS



LASER INTERFEROMETER GRAVITATIONAL-WAVE OBSERVATORY SITE NO. 2 - LIVINGSTON, LOUISIANA		
TITLE	SCALE	CONTRACT NUMBER
ELECTRICAL CORNER STATION LVEA AREAS 101, 102, 103, 104 DETAILS	NONE	PP150969
		PROJECT NUMBER 8094
		REVISIONS
		LA-E-124

LIGO-D961480-03-0