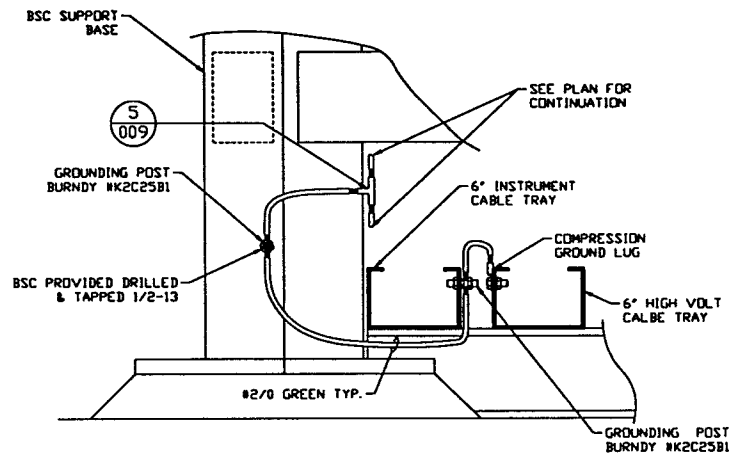
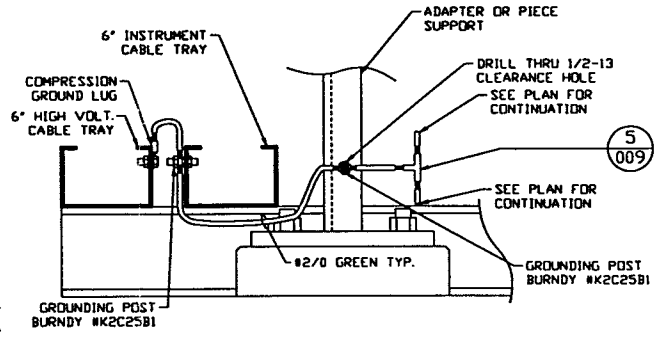


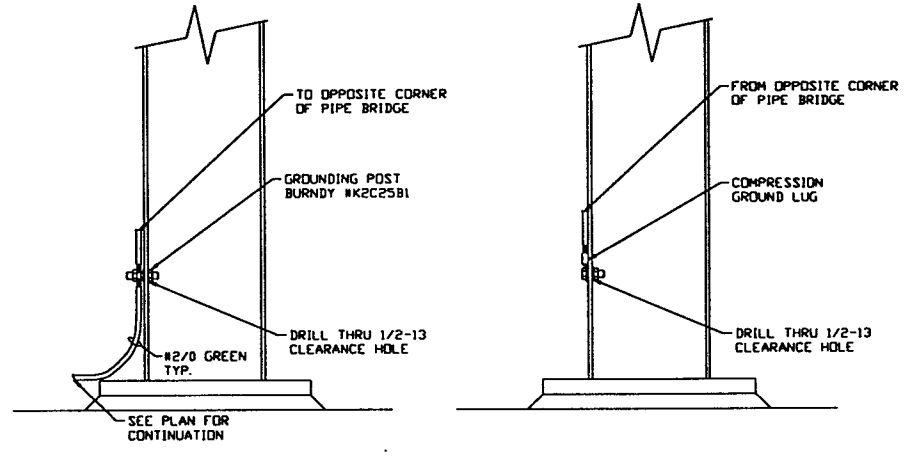
HORIZONTAL ACCESS MODULE
 PROVIDE MISC. HARDWARE AS REQ'D
DETAIL 1 REF.
 SCALE: NONE --- V049-3-133 V049-3-633
 V049-3-136



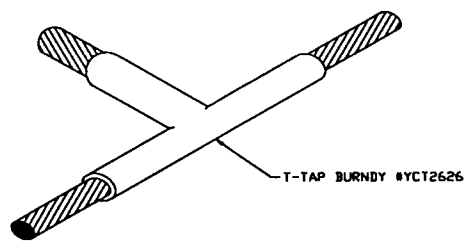
BEAM SPLITTER CHAMBER
 PROVIDE MISC. HARDWARE AS REQ'D
DETAIL 2 REF.
 SCALE: NONE --- V049-3-133 V049-3-209 V049-3-633
 V049-3-134 V049-3-309 V049-3-709
 V049-3-135 V049-3-409 V049-3-809
 V049-3-136 V049-3-509



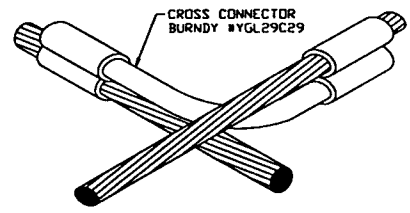
ADAPTER OR SPOOL PIECE
 PROVIDE MISC. HARDWARE AS REQ'D
DETAIL 3 REF.
 SCALE: NONE --- V049-3-133 V049-3-209 V049-3-633 V049-3-809
 V049-3-134 V049-3-309 V049-3-634
 V049-3-135 V049-3-409 V049-3-635
 V049-3-136 V049-3-509 V049-3-709



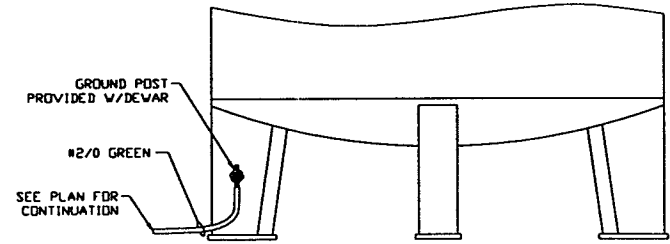
PIPE BRIDGE
 PROVIDE MISC. HARDWARE AS REQ'D
DETAIL 4 REF.
 SCALE: NONE --- V049-3-133
 V049-3-633



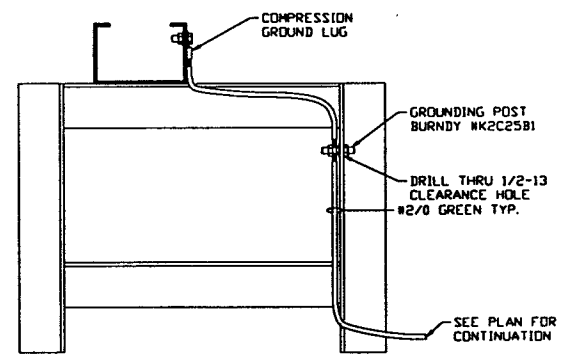
TEE CONNECTION
DETAIL 5 REF.
 SCALE: NONE --- V049-3-809 V049-3-136 V049-3-509 V049-3-709
 V049-3-133 V049-3-209 V049-3-633 V049-3-809
 V049-3-134 V049-3-309 V049-3-634
 V049-3-135 V049-3-409 V049-3-635



CROSS CONNECTION
DETAIL 6 REF.
 SCALE: NONE --- V049-3-133 V049-3-633
 V049-3-136



LN2 DEWAR
 PROVIDE MISC. HARDWARE AS REQ'D
DETAIL 7 REF.
 SCALE: NONE --- V049-3-634 V049-3-309 V049-3-634
 V049-3-635 V049-3-409 V049-3-635
 V049-3-209 V049-3-509 V049-3-809



PIPE & CABLE TRAY SUPPORT
 PROVIDE MISC. HARDWARE AS REQ'D
DETAIL 8 REF.
 SCALE: NONE --- V049-3-634 V049-3-309 V049-3-634
 V049-3-635 V049-3-409 V049-3-635
 V049-3-209 V049-3-509 V049-3-709
 V049-3-809

LIGO-D961484-00-V

<p>PROPRIETARY AND CONFIDENTIAL THIS DOCUMENT CONTAINS PROPRIETARY INFORMATION BELONGING TO PROCESS SYSTEMS INTERNATIONAL, INC. OR ITS SUBSIDIARIES AND SHALL BE KEPT SECRET FOR THE PURPOSE FOR WHICH IT WAS SUPPLIED. IT SHALL NOT BE REPRODUCED OR OTHERWISE USED FOR ANY OTHER PURPOSE WITHOUT THE WRITTEN CONSENT OF PROCESS SYSTEMS INTERNATIONAL, INC. AND SHALL BE RETURNED UPON REQUEST.</p>				<p>UNLESS OTHERWISE SPECIFIED DIMENSIONS ARE IN INCHES TOLERANCES: FRACTIONAL: ANGULAR: ± 1/2° BORE: ± 0.005 TWO PLACE DECIMAL: ± 0.01 THREE PLACE DECIMAL: ± 0.005 FINISHED SURFACE: ± 0.005 BREAK CORNERS IN: OUT-REMOVE ALL BURRS</p>				<p>PROCESS SYSTEMS INTERNATIONAL, INC. 20 WALKUP DR. WESTBOROUGH, MASSACHUSETTS 01581 USA</p>			
<p>DO NOT SCALE THIS DRAWING</p>				<p>0 ISSUE FOR FOR UPDATE & BID</p>				<p>12.27.96 0392</p>			
<p>USED ON:</p>				<p>REV DESCRIPTION</p>				<p>CHKD DRWN DATE DEOB</p>			
<p>NEXT ASS'Y:</p>				<p>ISSUE DESCRIPTION</p>				<p>SCALE AS NOTED SHEET 1 OF 1</p>			
<p>REFERENCE DRAWINGS</p>				<p>8 7 6 5 4 3 2 1</p>				<p>CAB FILE: V0493009 D V049-3-009 0</p>			