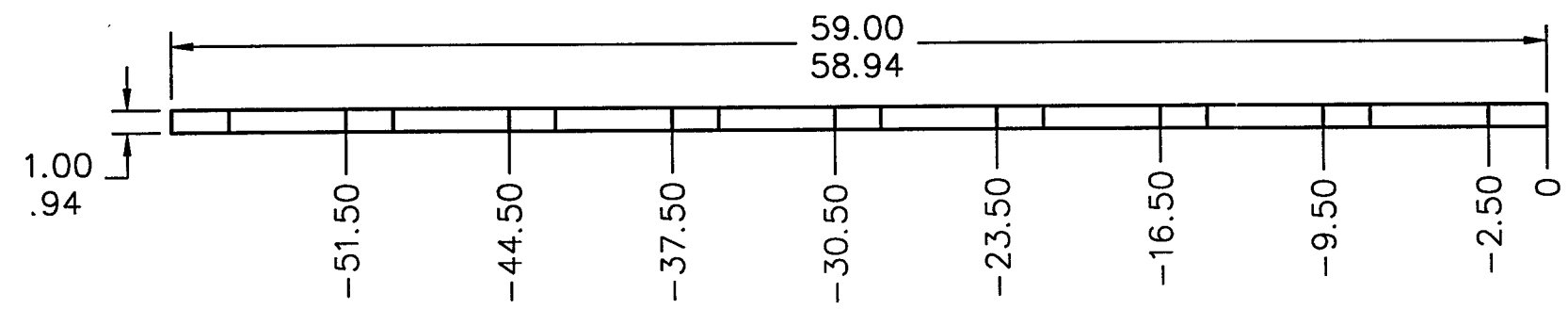
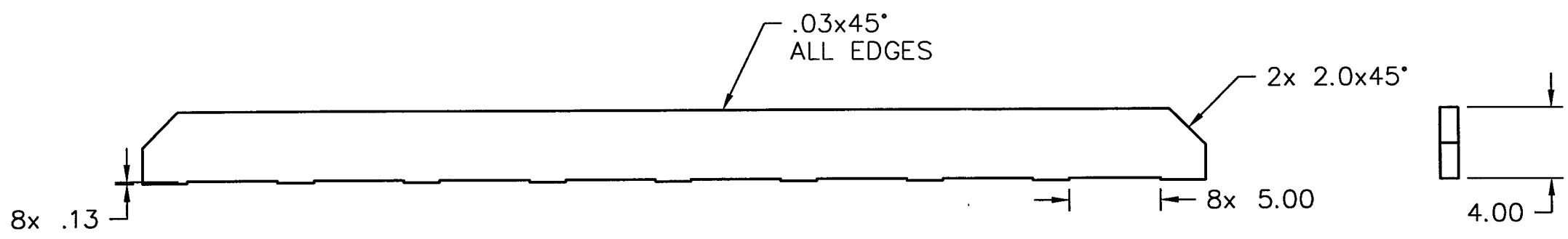


REVISIONS		APPROVED	DATE
REV.	DESCRIPTION		
A	RELEASED		



DEC 19 1996

REV. DWG # V049-8-143  
L160-D961585-A-V

ITEM	QTY.	PART NO.	DESCRIPTION
1	1		BAR, 1.00 THK, 4.00 WD, 59.00 LG
			No. 4 FINISH BOTH SIDES
PART LIST			MATERIAL SPECIFICATION 304L SST

<small>UNLESS OTHERWISE SPECIFIED:  DIMENSIONS ARE IN INCHES  TOLERANCES ARE:  DECIMALS ANGLES FINISH  .015 ± .03 ± 10° 12°  .005 ± .005  //, C, L WITHIN .05  UNSPECIFIED FILETS: R.015  BREAK EDGES .010 ± 45°  REMOVE ALL BURRS</small>	CONTRACT OR SALES ORDER NO.		<b>GNB Corporation</b> SCIENTIFIC AND INDUSTRIAL EQUIPMENT 30971 San Benito Court HAYWARD, CALIFORNIA 94544 (510) 441-1900 FAX: (510) 441-0830
	APPROVALS	DATE	
THIRD ANGLE PROJECTION	DRAFTER		TITLE
DO NOT SCALE DRAWING	CHECKER		<b>STIFFENER</b> G44
USED ON	ENGINEER	ZH 1-17-96	DWG. NO. <b>103218</b>
CADD FILE NAME	B103218A		SCALE: NONE SHEET 1 of 1

**NOTES:**  
PROTECT ALL SURFACES FROM SCRATCHES,  
GOUGES AND TOOLING MARKS DURING HANDLING