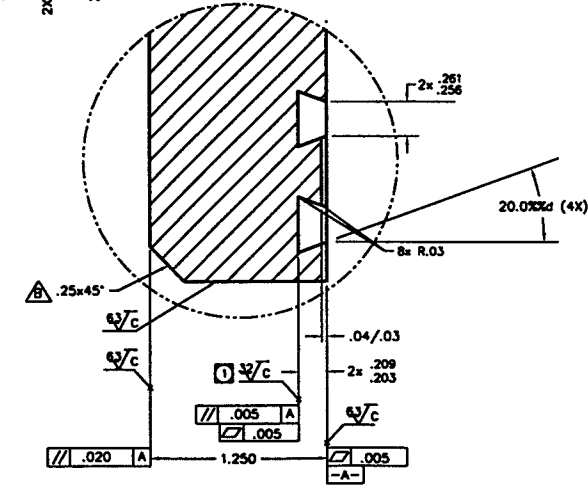
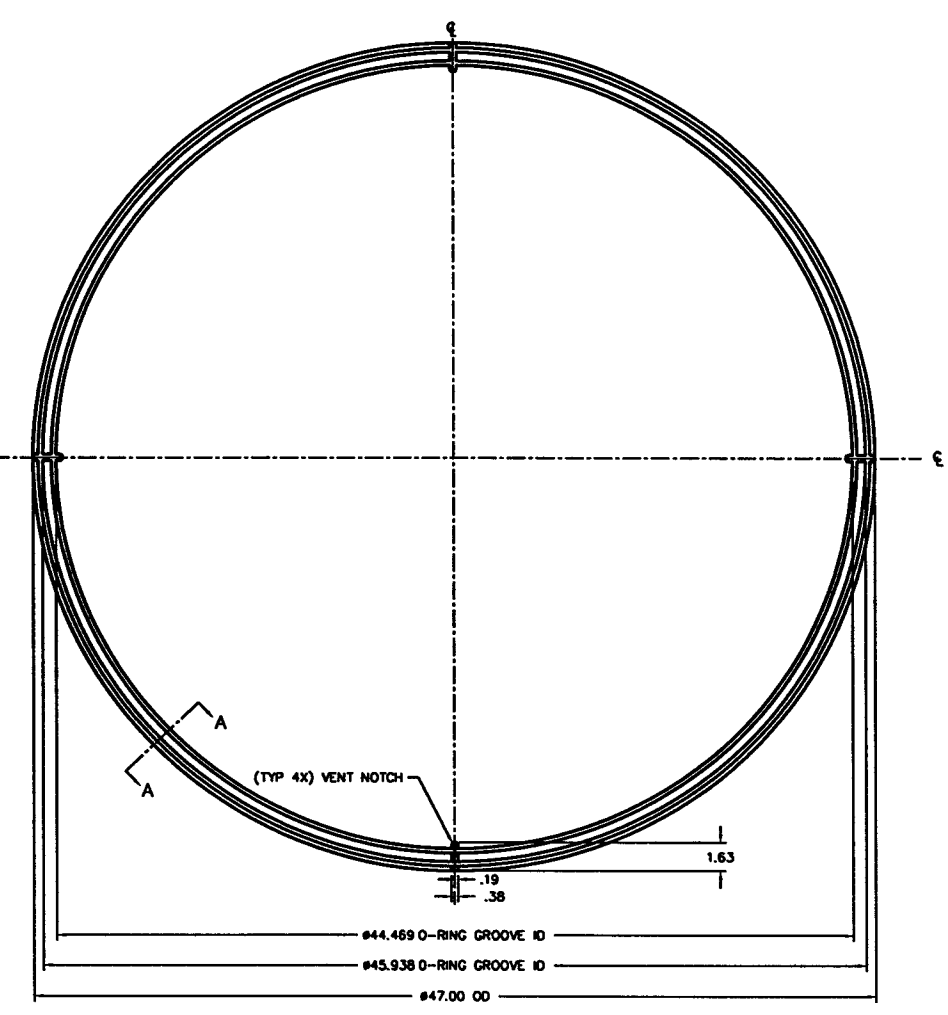
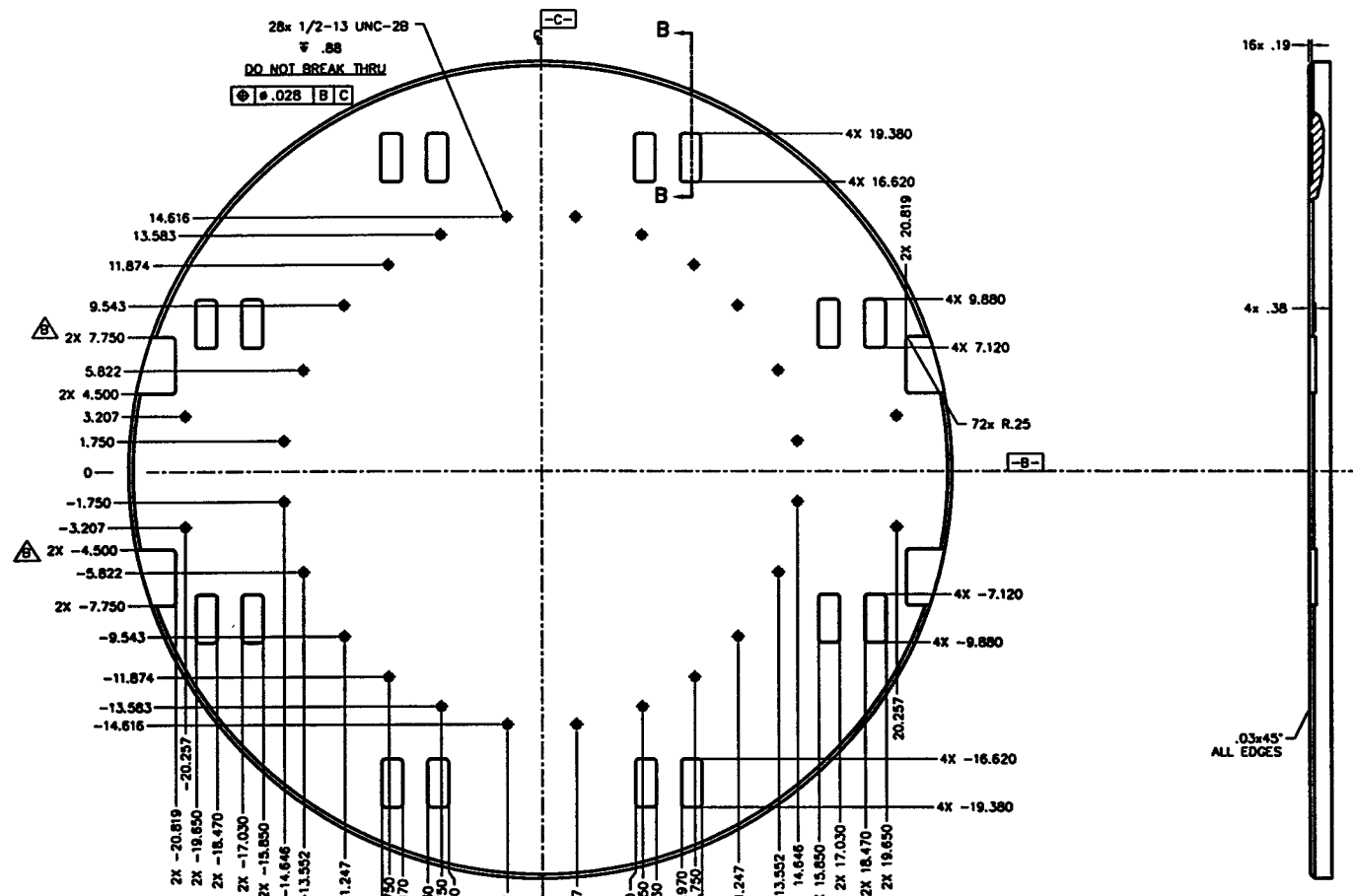


REVISIONS			
REV.	DESCRIPTION	APPROVED	DATE
A	RELEASED	ZH	1-20-96
B	7.750 WAS 7.250; 4.500 WAS 4.000; ADD PUMP-OUT AND .25 X 45° CHAMFER	AAL	2-9-96
C	REDESIGNED VENT NOTCH; REDRAWN	AAL	11-14-96
D	.25R WAS .19R (22X)	AAL	11-14-96



SECT. A-A

NOTES:
 1 VACUUM SEALING SURFACE
 2 FINAL CLEANING TO MEET QNG SPEC. PER UHV
 REF:
 O-RING 44.25 ID, 1/4 C/S, VITON
 O-RING 45.75 ID, 1/4 C/S, VITON

DEC 19 1996

PSI DWG # V049-8-168
L1G0-D961599-D-V

ITEM	QTY.	PART NO.	DESCRIPTION
		PART LIST	
		MATERIAL SPECIFICATION: T304L STAINLESS	
		GATE G44	
		DATE: 1-20-96 DRAWN: ZH CHECKED: AAL DESIGNED: AAL	
		PART NO. 103227 SHEET 1 OF 1	

C103255
USED ON

D103227D

SCALE: NONE

D