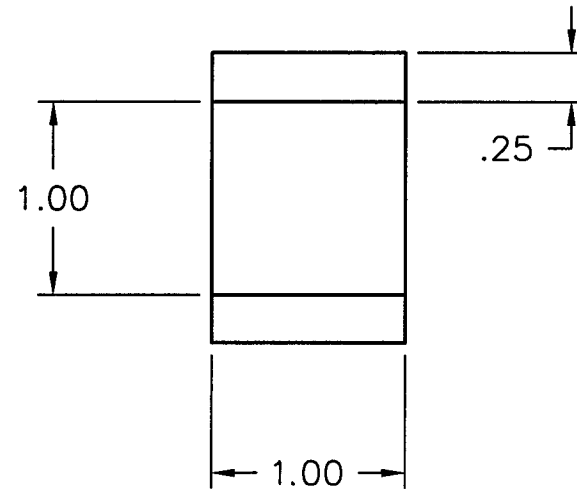
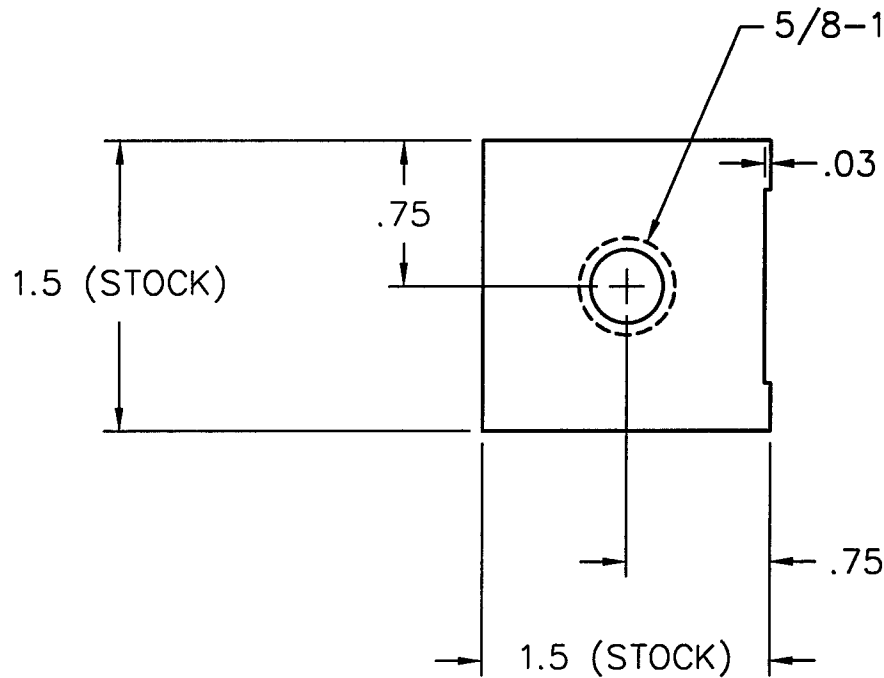


REV.	DESCRIPTION	APPROVED	DATE
A	RELEASED		
B	WIDENED VENT NOTCH; ADDED NOTES		
C	.03 DIM WAS .13	AJL	9/30/96



DEC 19 1996

PSI DWG # V049-8-172

NOTES:

1. ALL SURFACES SHALL BE MACHINED OR MECHANICALLY POLISHED.
2. NO SNAGGING SHALL OCCUR WHILE WIPING WITH A CLEAN COTTON CLOTH.
3. PROTECT ALL SURFACES FROM SCRATCHES, GOUGES, AND TOOLING MARKS DURING HANDLING

ITEM	QTY.	PART NO.	DESCRIPTION	1 1/2" SQUARE BAR
PART LIST			MATERIAL SPECIFICATION 304L SST	
UNLESS OTHERWISE SPECIFIED		CONTRACT OR SALES ORDER NO.		 GNB Corporation SCIENTIFIC AND INDUSTRIAL EQUIPMENT 30971 San Benito Court HAYWARD, CALIFORNIA 94544 (510) 441-1900 FAX: (510) 441-0839
DIMENSIONS ARE IN INCHES TOLERANCES ARE: DECIMALS .01 ± 1/10 ANGLES .125 FINISH .005 UNMACHINED FILLETS .8R15 BREAK EDGES .010 ± 45° REMOVE ALL BURRS		APPRX. WT.	.5#	
THIRD ANGLE PROJECTION		DRAFTER	CHECKER	TITLE
		ENGINEER	ZH	1-22-96
D103236		DO NOT SCALE DRAWING		SCALE: NONE
USED ON		CADD FILE NAME A103239C		SHEET 1 OF 1
TITLE CARR. ADJUSTMENT BLOCK G44/G48				DWG. NO. 103239
				REV. C

L190-D961601-e-v