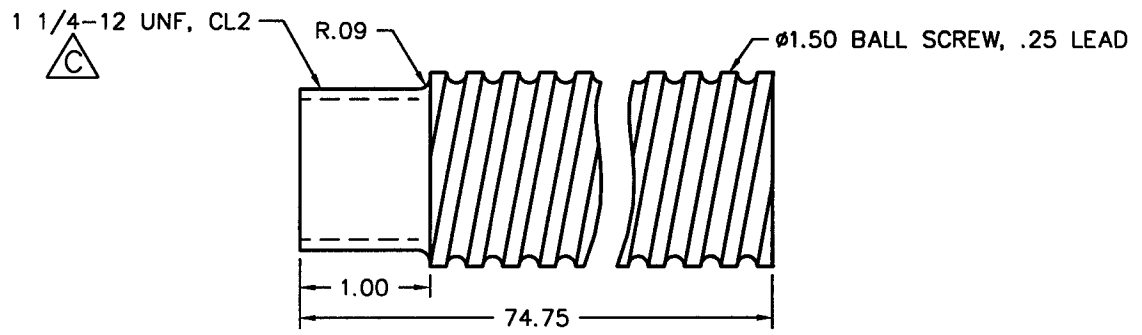
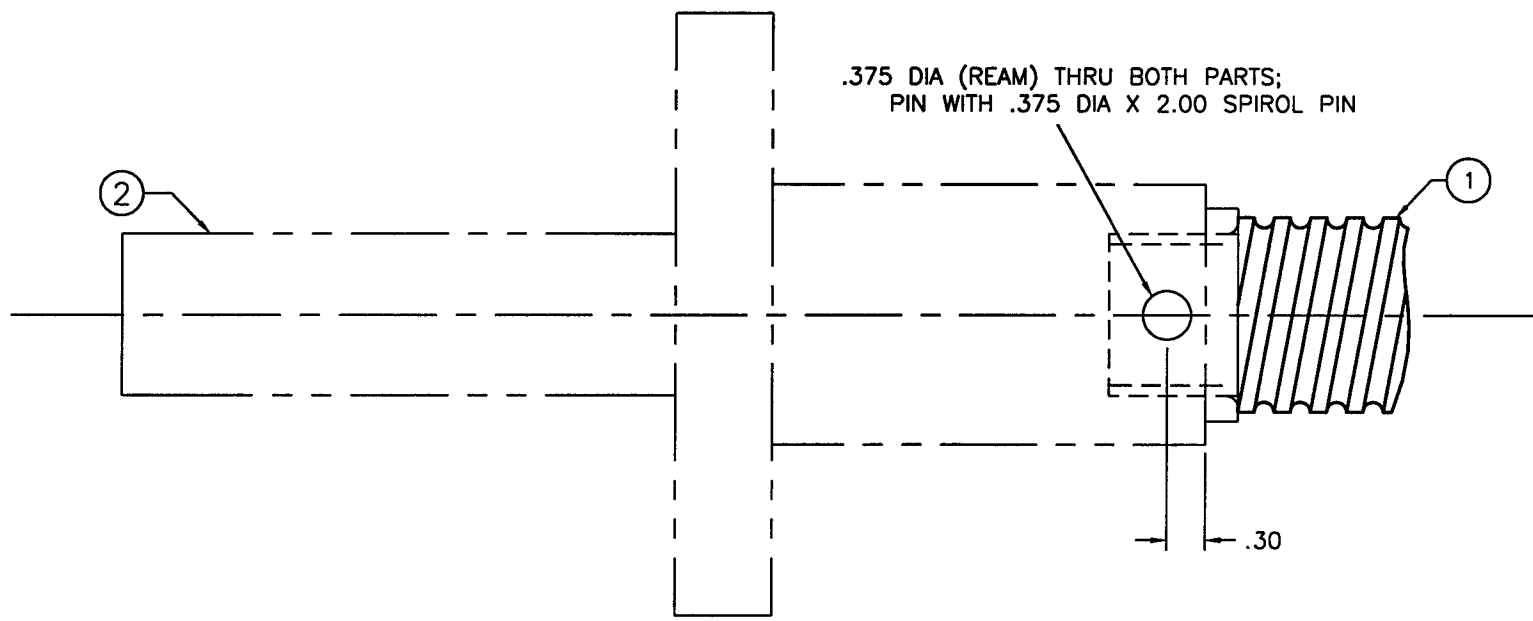


REV.	DESCRIPTION	APPROVED	DATE
A	RELEASED		
B	REDRAWN		
C	ADDED THREADS TO SCREW; REDRAWN	AJL	9/26/96



DEC 19 1996

PSI DWG # V049-8-179

ITEM	QTY.	PART NO.	DESCRIPTION
2	1	B103793	WELD'T, CARRIAGE CONNECTING SOCKET
1	1	SBN 9587	(NOOK), BALL SCREW (MODIFIED AS SHOWN)
			1.50 DIA, .25 LEAD, 74.75 LG
			WITH BALL NUT, WITH OUT FLANGE
			BALL NUT NOT SHOWN

PART LIST MATERIAL SPECIFICATION STAINLESS STEEL

<small>UNLESS OTHERWISE SPECIFIED</small> DIMENSIONS ARE IN INCHES TOLERANCES ARE: DECIMALS ANGLES FINISH .01 ± .10° ± 10' 125 ✓ .001 ± .005 UNSPECIFIED FILLETS R.015 BREAK EDGES .010 ± 45° REMOVE ALL BURRS	CONTRACT OR SALES ORDER NO.  APPROX. WT. 38# APPROVALS DATE DRAFTER CHECKER ENGINEER ZH 1-23-96	<p><b>GNB Corporation</b>          SCIENTIFIC AND INDUSTRIAL EQUIPMENT          30871 San Benito Court          HAYWARD, CALIFORNIA 94544          (510) 441-1800 FAX: (510) 441-0939</p>
	TITLE <b>ASSEMBLY, BALL SCREW</b> <b>G44</b>	
DO NOT SCALE DRAWING CAD FILE NAME A103243C	SCALE: 1=1 SHEET 1 OF 1	DWG. NO. 103243 REV. C

**NOTES:**

- ① FINAL CLEANING TO MEET GNG SPEC. PER UHV

NEXT ASS'Y: 3103294 ACTUATOR ASSEMBLY

L190-D961604-C-V