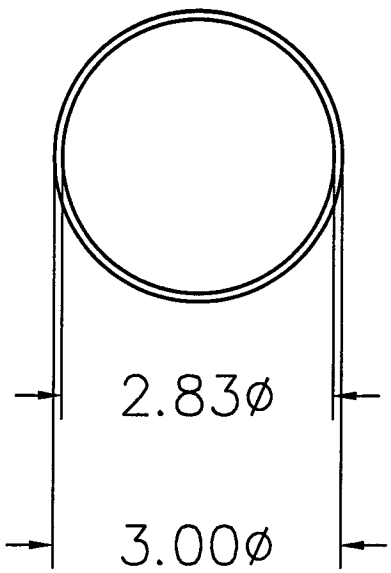
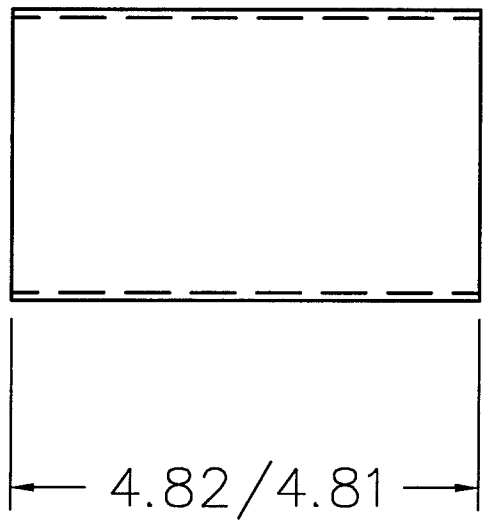


REVISIONS			
REV.	DESCRIPTION	APPROVED	DATE
A	RELEASED	AJL	9-30-96
B			
C	4.82/4.81 WAS 4.760/4.750; REDRAWN	AJL	10-9-96



DEC 19 1996

PSI DWG # V049-8-497

ITEM		QTY.	PART NO.	DESCRIPTION
				TUBE, 3" DIA X .083W
PART LIST			MATERIAL SPECIFICATION: 304 SST	
<small>UNLESS OTHERWISE SPECIFIED DIMENSIONS ARE IN INCHES TOLERANCES ARE: DECIMALS ANGLES FINISH .XX ± .01 ± 1'0" 32/ .XXX ± .005</small>		<small>CONTRACT OR SALES ORDER NO.</small> <small>APPRX. WT.</small> <small>APPROVALS DATE</small>		
<small>UNSPECIFIED FILLETS: R.015 BREAK EDGES .010 ± 45° REMOVE ALL BURRS</small>		<small>DRAFTER</small> AJL <small>DATE</small> 9-30-96 <small>CHECKER</small> <small>ENGINEER</small>		
<small>THIRD ANGLE PROJECTION</small> 		<small>TITLE</small> BEARING SLEEVE G44E, G48E		
<small>DO NOT SCALE DRAWING</small>		<small>A</small> <small>DWG. NO.</small> 103304 <small>REV.</small> C		
<small>CAD FILE NAME</small> A103304C		<small>SCALE:</small> NONE <small>SHEET</small> 1 <small>OF</small> 1		

C103294
USED ON

REV. C
A
DWG. NO. 103304