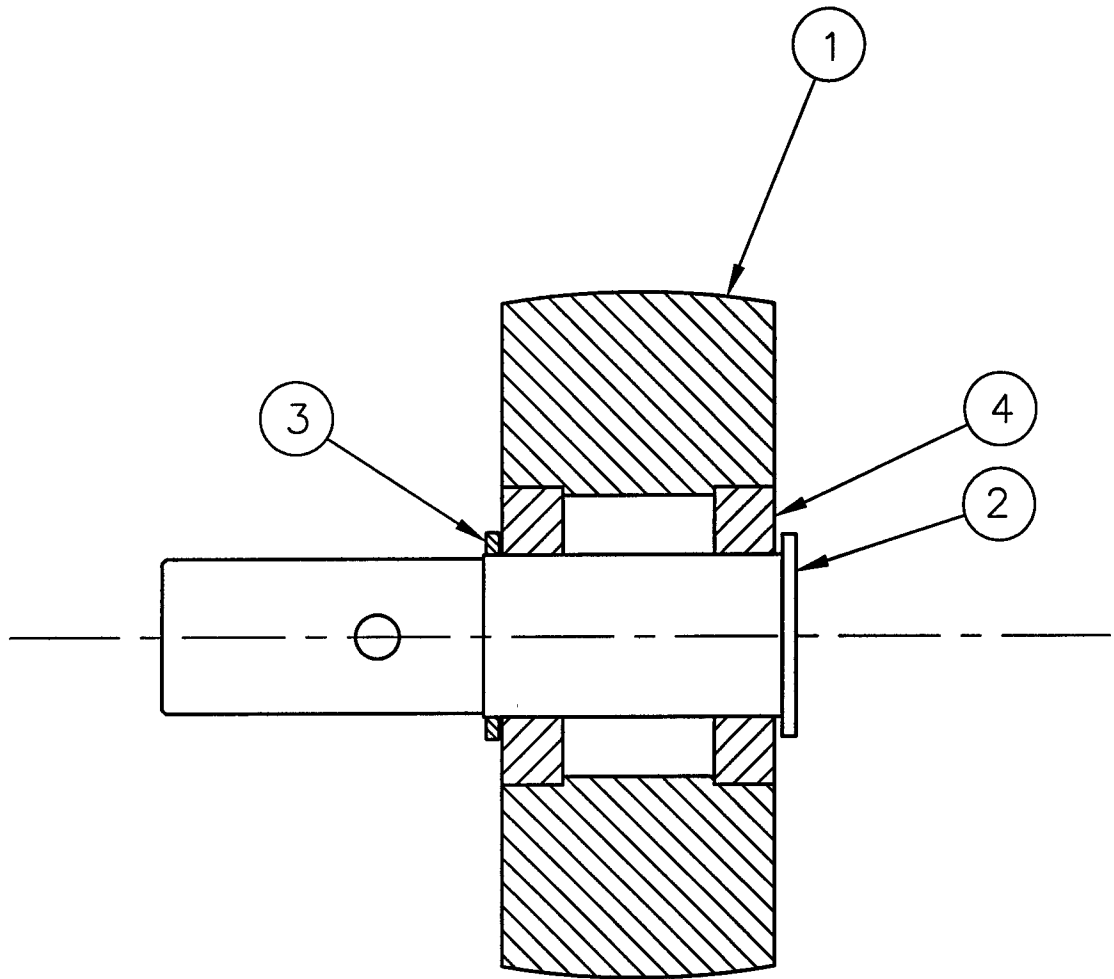


REV.	DESCRIPTION	APPROVED	DATE
A	RELEASED		AJL 19/30/96



DEC 19 1996

PSI DWG # V049-8-498

ITEM	QTY.	PART NO.	DESCRIPTION
4	2	6006	(AST) 6000 SERIES OPEN BEARING, 30MM BORE, 55 MM O.D., 13 MM WD
3	1	A103252-01	WASHER
2	1	A103735	AXLE, SIDE WHEEL
1	1	A103234	SIDE WHEEL

PART LIST MATERIAL SPECIFICATION

<small>UNLESS OTHERWISE SPECIFIED</small> DIMENSIONS ARE IN INCHES TOLERANCES ARE: DECIMALS ANGLES FINISH .XX ± .01 ± 10° 125/ .XXX ± .005 UNPROFILLED FILLETS: R.015 BREAK EDGES: .010 ± .010 REMOVE ALL BURRS	CONTRACT OR SALES ORDER NO.		 SCIENTIFIC AND INDUSTRIAL EQUIPMENT 30971 San Benito Court HAYWARD, CALIFORNIA 94544 (510) 441-1900 FAX: (510) 441-0939
	APPRX. WT. #	APPROVALS DATE	
THIRD ANGLE PROJECTION 	DRAFTER CHECKER	ENGINEER AJL 9/30/96	DWG. NO. 103253

NOTES:
 ① FINAL CLEANING TO MEET GNG SPEC. PER UHV

C103255	DO NOT SCALE DRAWING	ENGINEER AJL 9/30/96	A	DWG. NO. 103253	REV.
USED ON	CAD FILE NAME A103253A	SCALE: NONE	SHEET 1	OF 1	A

LIGO-D961614-A-V