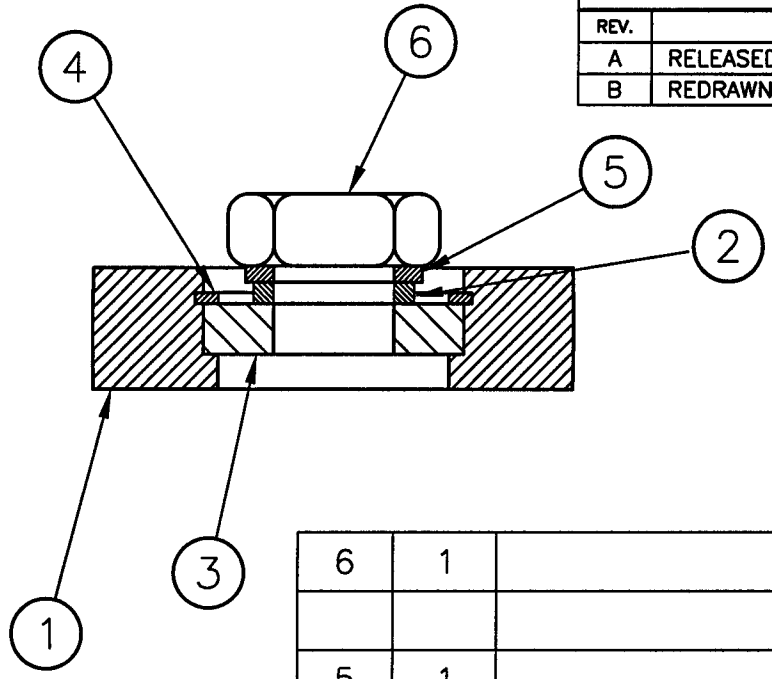


REVISIONS			
REV.	DESCRIPTION	APPROVED	DATE
A	RELEASED	AJL	10-28-96
B	REDRAWN	AJL	11-12-96



PSI DWG # 1049-8-524

ITEM	QTY.	PART NO.	DESCRIPTION
6	1		NUT, HEX, JAM, #3/4-10UNC-2B, SST, SILVER PLATED
5	1		WASHER, LOCK, SPLIT, #3/4, SST
4	1		RING, RETAINER, IRR #5000-162H
3	1		BEARING, BALL, .750 I.D., AST #R12
2	1	A103252-02	WASHER
1	1	B103736	GUIDE WHEEL

DEC 19 1996

PART LIST		MATERIAL SPECIFICATION: PER P/L	
<small>UNLESS OTHERWISE SPECIFIED DIMENSIONS ARE IN INCHES TOLERANCES ARE:</small> <small>DECIMALS ANGLES FINISH</small> <small>.XX ± .01 ± 10° 32/</small> <small>.XXX ± .005</small>		<b>GNB Corporation</b> <small>SCIENTIFIC AND INDUSTRIAL EQUIPMENT</small> <small>30971 San Benito Ct.</small> <small>HAYWARD, CALIFORNIA 94544</small> <small>(510) 441-1900 FAX: (510) 441-0939</small>	
<small>UNSPECIFIED FILETS: R.015</small> <small>BREAK EDGES .010 ± 45°</small> <small>REMOVE ALL BURRS</small>		<small>CONTRACT OR SALES ORDER NO.</small> <hr/> <small>APPROX. WT.</small> <hr/> <small>APPROVALS</small>	
<small>THIRD ANGLE PROJECTION</small> 		<small>DATE</small> 10-28-96	
<small>DO NOT SCALE DRAWING</small>		<small>TITLE</small> WHEEL ASSEMBLY, GUIDE G44, G48	
<small>CADD FILE NAME</small> A103831B		<small>DRAWER</small> AJL	
<small>USED ON</small> C103255		<small>CHECKER</small> [Blank]	
<small>ENGINEER</small> [Blank]		<small>SCALE:</small> NONE	
[Blank]		<small>DWG. NO.</small> 103831	
[Blank]		<small>REV.</small> B	
[Blank]		<small>SHEET 1 OF 1</small>	

REV. B  
DWG. NO. 103831  
A

L190-D961640-B-V