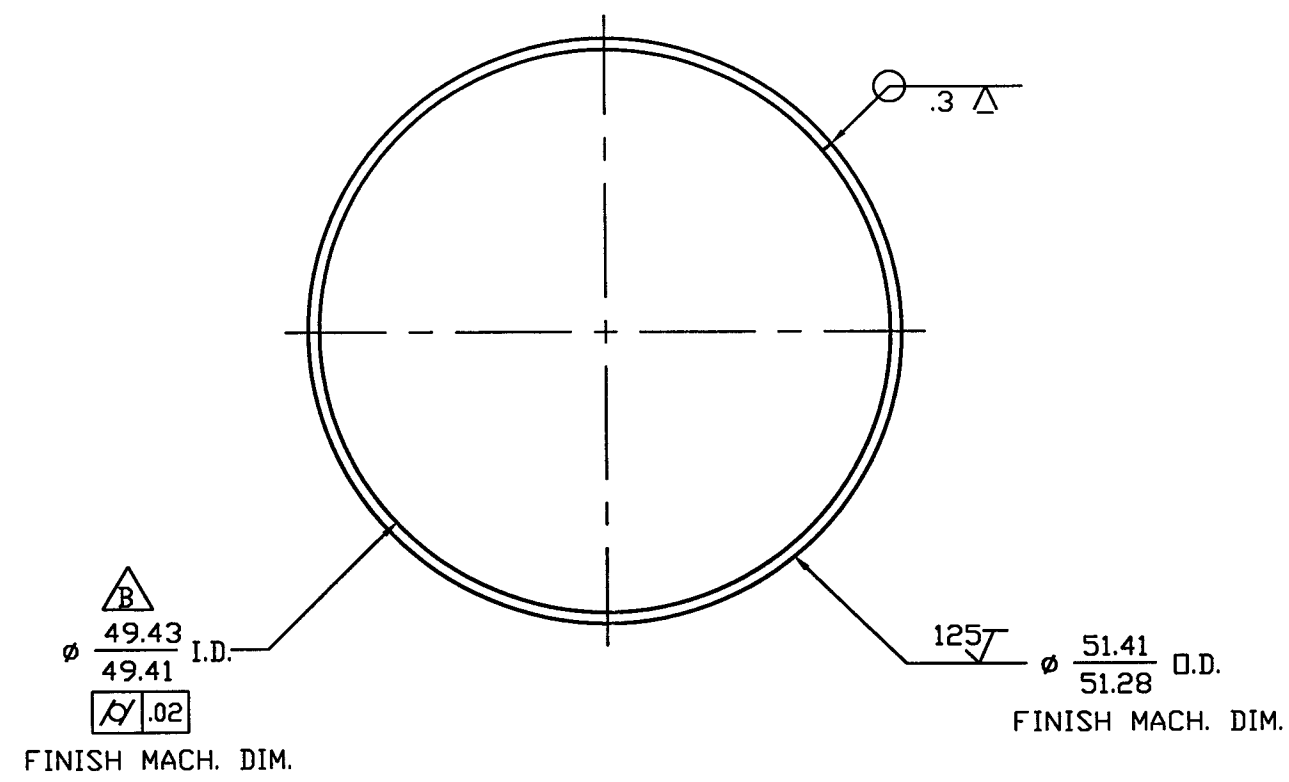
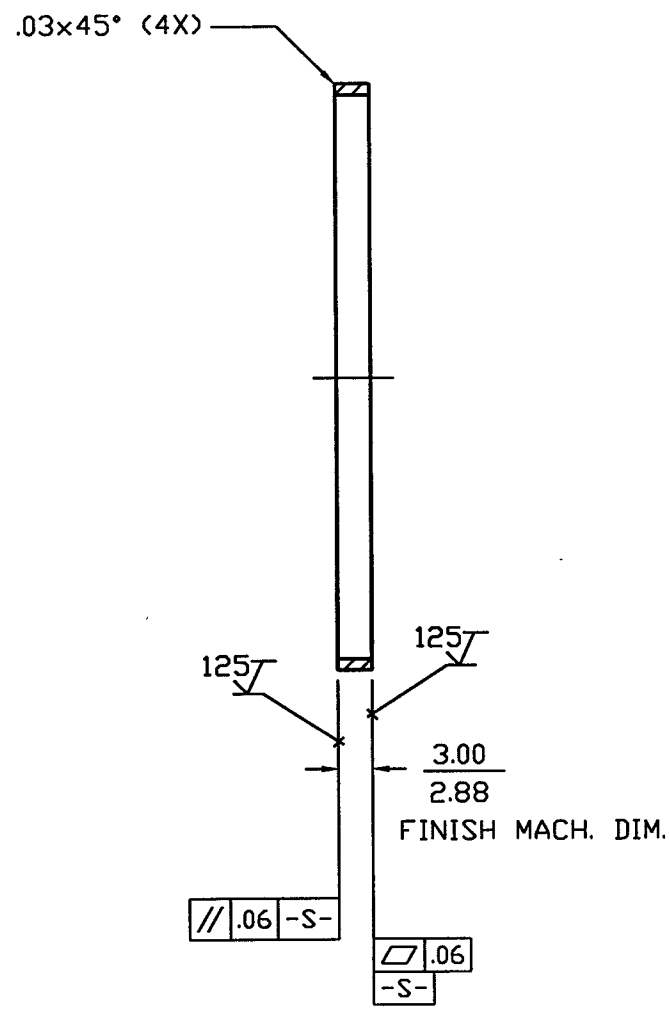


REVISIONS			
REV.	DESCRIPTION	APPROVED	DATE
A	RELEASED	AJL	10/17/96
B	Ø49.43/49.41 WAS Ø49.41/49.39	AJL	10-20-96



DEC 19 1996

PSI DWG # V049-8-541  
L100-D961657-B-V

**NOTES:**  
 PROTECT ALL SURFACES FROM SCRATCHES,  
 GOUGES, AND TOOLING MARKS DURING HANDLING.

ITEM	QTY.	PART NO.	DESCRIPTION
PART LIST			MATERIAL SPECIFICATION: T304
UNLESS OTHERWISE SPECIFIED DIMENSIONS ARE IN INCHES TOLERANCES ARE: DECIMALS ANGLES FINISH .XX ± .01 ± 1°0' 32/ .XXX ± .005		CONTRACT OR SALES ORDER NO.	
UNSPECIFIED FILLETS: R.015 BREAK EDGES .010 ± .45° REMOVE ALL BURRS		APPROVALS	
THIRD ANGLE PROJECTION		DRAFTER	DATE
DO NOT SCALE DRAWING		CHECKER	ENGINEER
CADD FILE NAME		TITLE	
B103457B		RING TYPE STIFF. ROLL-UP MACHINED	
USED ON		DWG. NO. 103457	
D103225		SCALE: NONE	
		SHEET 1 OF 1	

**GNB** Corporation  
 SCIENTIFIC AND INDUSTRIAL EQUIPMENT  
 30971 San Benito Ct.  
 HAYWARD, CALIFORNIA 94544  
 (510) 441-1900 FAX: (510) 441-0939