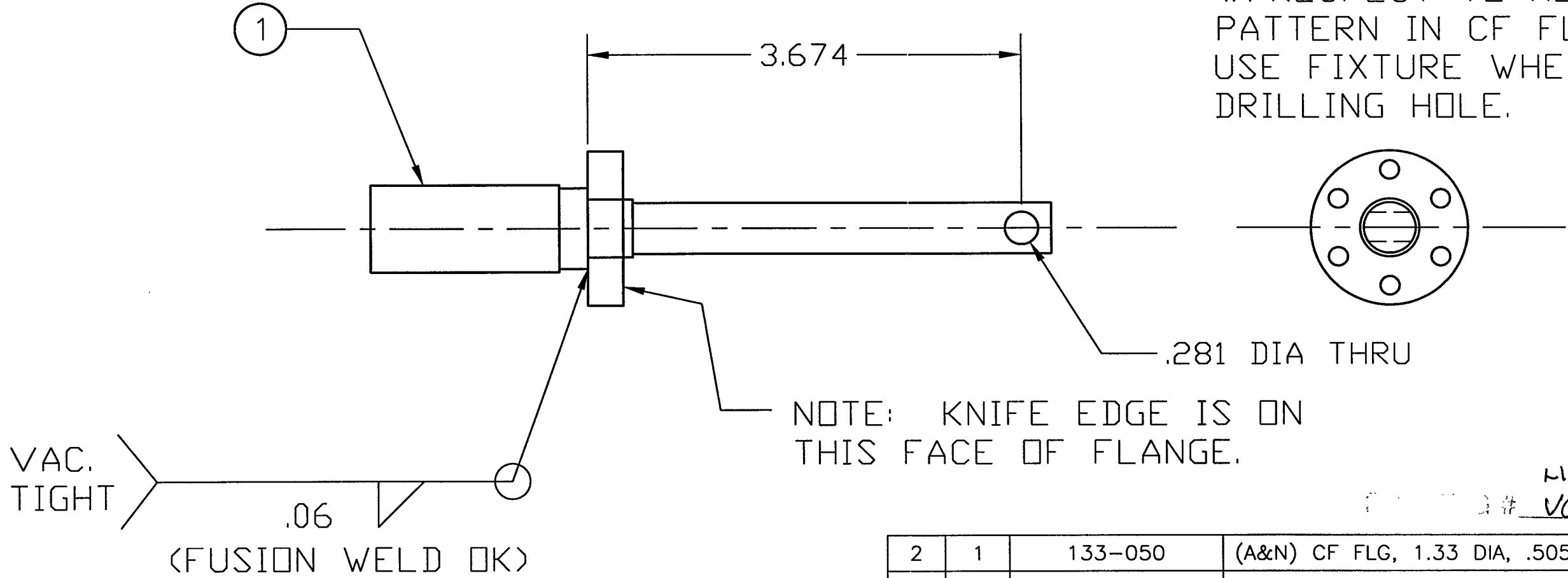


REVISIONS			
REV.	DESCRIPTION	APPROVED	DATE
A	RELEASED	AJL	10/15/96

NOTE: LOCATE .281 DIA HOLE IN ROD AS SHOWN W/RESPECT TO HOLE PATTERN IN CF FLANGE. USE FIXTURE WHEN DRILLING HOLE.



DEC 19 1996

LIGO-D961672-A-V  
 # 1049-8-556

ITEM	QTY.	PART NO.	DESCRIPTION
2	1	133-050	(A&N) CF FLG, 1.33 DIA, .505 I.D., THROUGH HOLES
1	1	B103748	LOCK ROD

PART LIST MATERIAL SPECIFICATION: 304 SST/ASTM A-36

UNLESS OTHERWISE SPECIFIED DIMENSIONS ARE IN INCHES TOLERANCES ARE: DECIMALS ANGLES FINISH .XX ± .01 ± 1° 32/ .XXX ± .005		CONTRACT OR SALES ORDER NO.	
UNSPECIFIED FILLETS: R.015 BREAK EDGES .010 ± 45° REMOVE ALL BURRS		APPROVALS	DATE
THIRD ANGLE PROJECTION	DRAFTER	AJL	10/15/96
DO NOT SCALE DRAWING	CHECKER		
	ENGINEER		

**GNB** Corporation  
 SCIENTIFIC AND INDUSTRIAL EQUIPMENT  
 30971 San Benito Ct.  
 HAYWARD, CALIFORNIA 94544  
 (510) 441-1900 FAX: (510) 441-0939

TITLE: **WELDMENT, LOCK ROD  
 LIGO G44, G48**

B DWG. NO. 103747 REV. A

C103746  
 USED ON

CADD FILE NAME B103747A

SCALE: NONE SHEET 1 OF 1