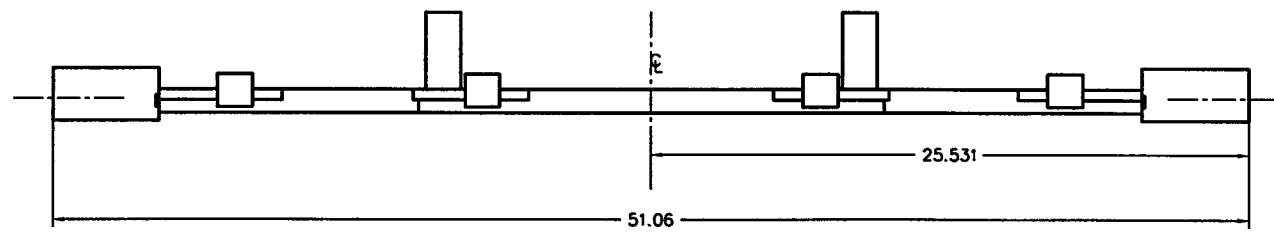
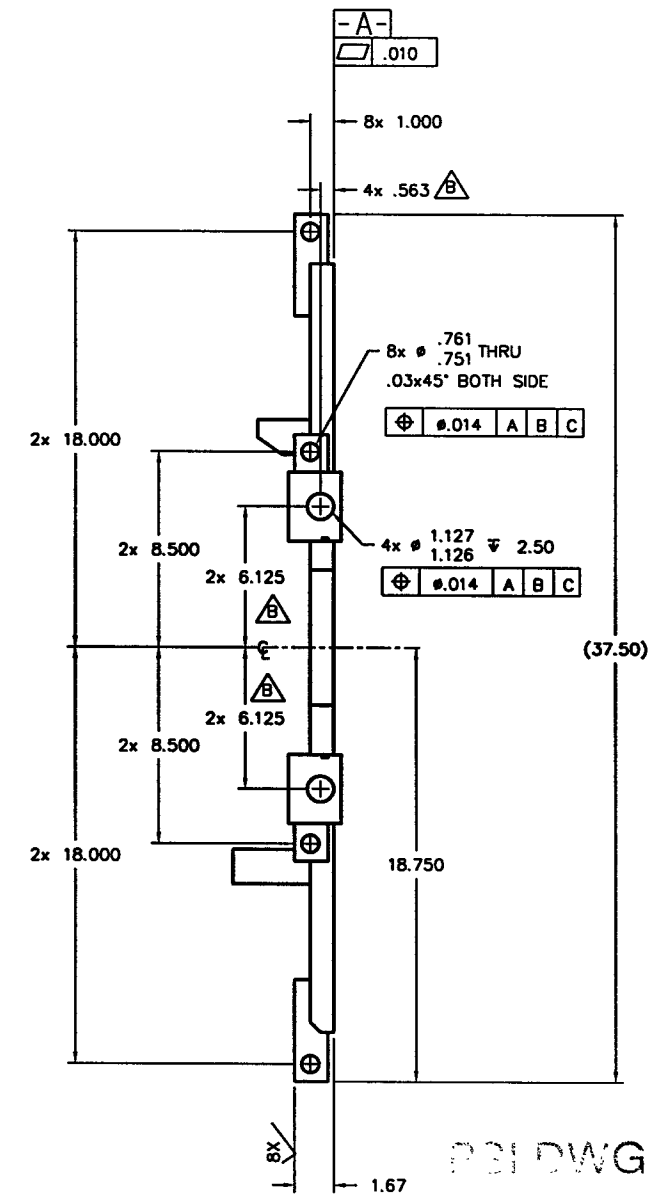
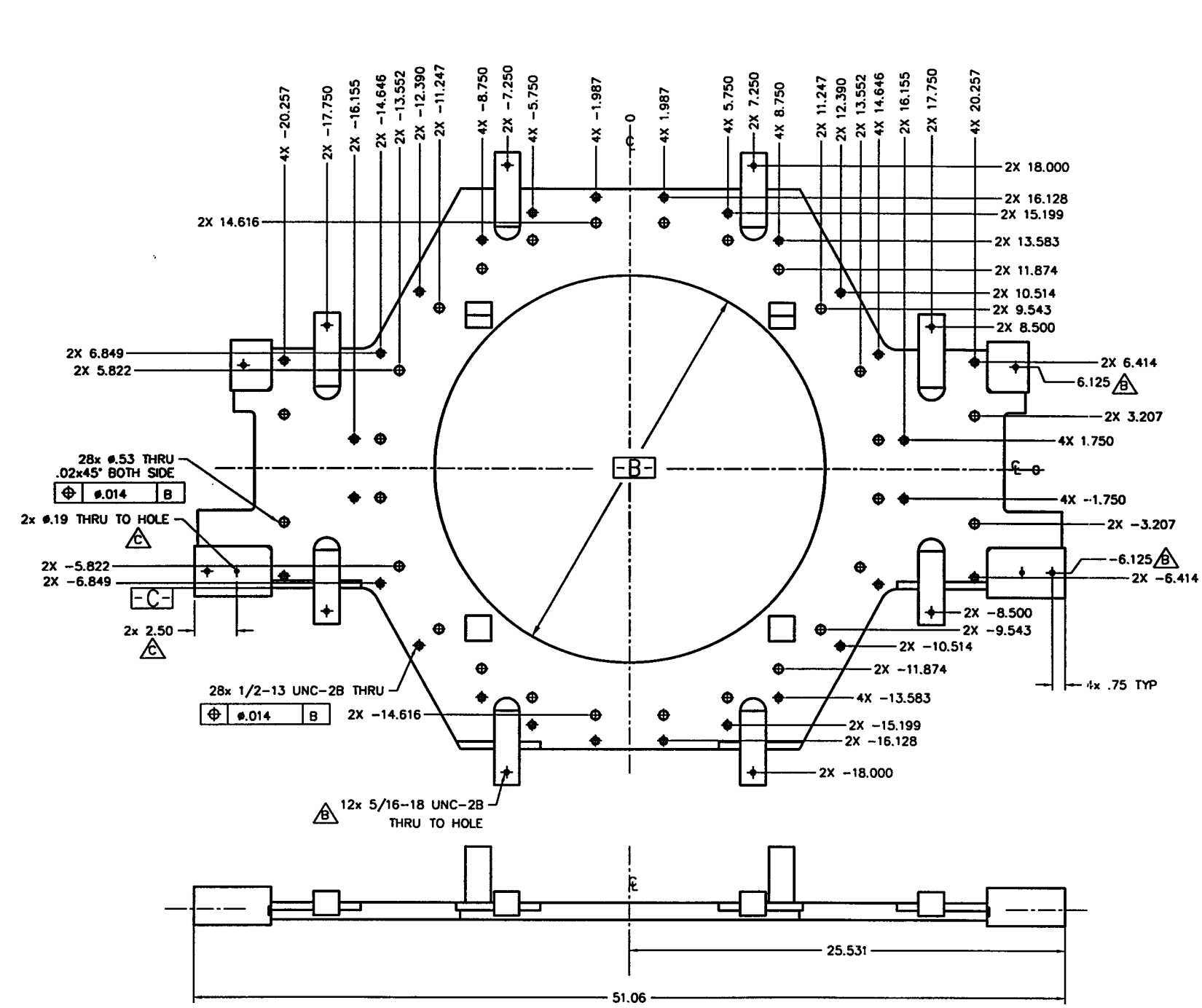


REV	DESCRIPTION	DATE	BY
A	RELEASED	10-31-96	ALJ
B	REDRAWN	11-19-96	ALJ



DEC 18 1996

PBI DWG # V049-8-566

L190-D961681-B-V

NOTES:  
PROTECT ALL SURFACES FROM SCRATCHES,  
GOUGES AND TOOLING MARKS DURING HANDLING

GATE FRAME WELDMENT G44		D103228
ITEM	QTY.	PART NO.
PART LIST		MATERIAL SPECIFICATION
UNLESS OTHERWISE SPECIFIED: DIMENSIONS ARE IN INCHES TOLERANCES ARE: DECIMALS ANGLES FRACTIONS .012 .015 .010 1/16 1/32 .001 .005 //CS, I WITHIN .05 UNSPECIFIED FILLER: R45 BREAK CODES: P10 & 45V REMOVE ALL BURRS		CONTRACT OR SALES ORDER NO.
THIRD ANGLE PROJECTION		APPROVALS DATE
DO NOT SCALE DRAWING		ENGINEER ZH 11-20-96
CADD FILE NAME D103765B		SCALE: NONE
G103255 USED ON		POSTWELD (FINAL) MACHINING, GATE FRAME, G44
D103765B		D103765
SHEET 1 OF 1		REV B