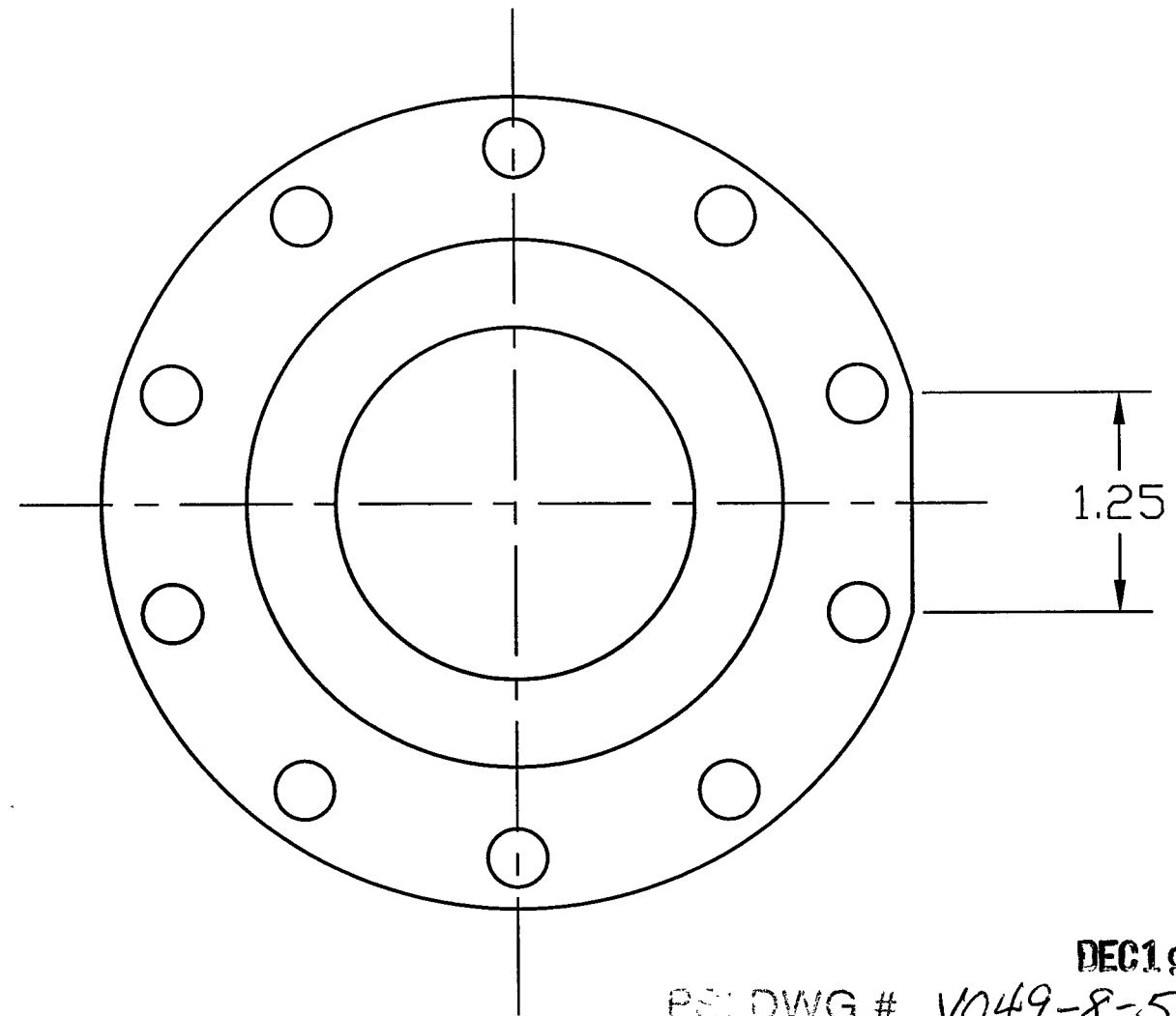
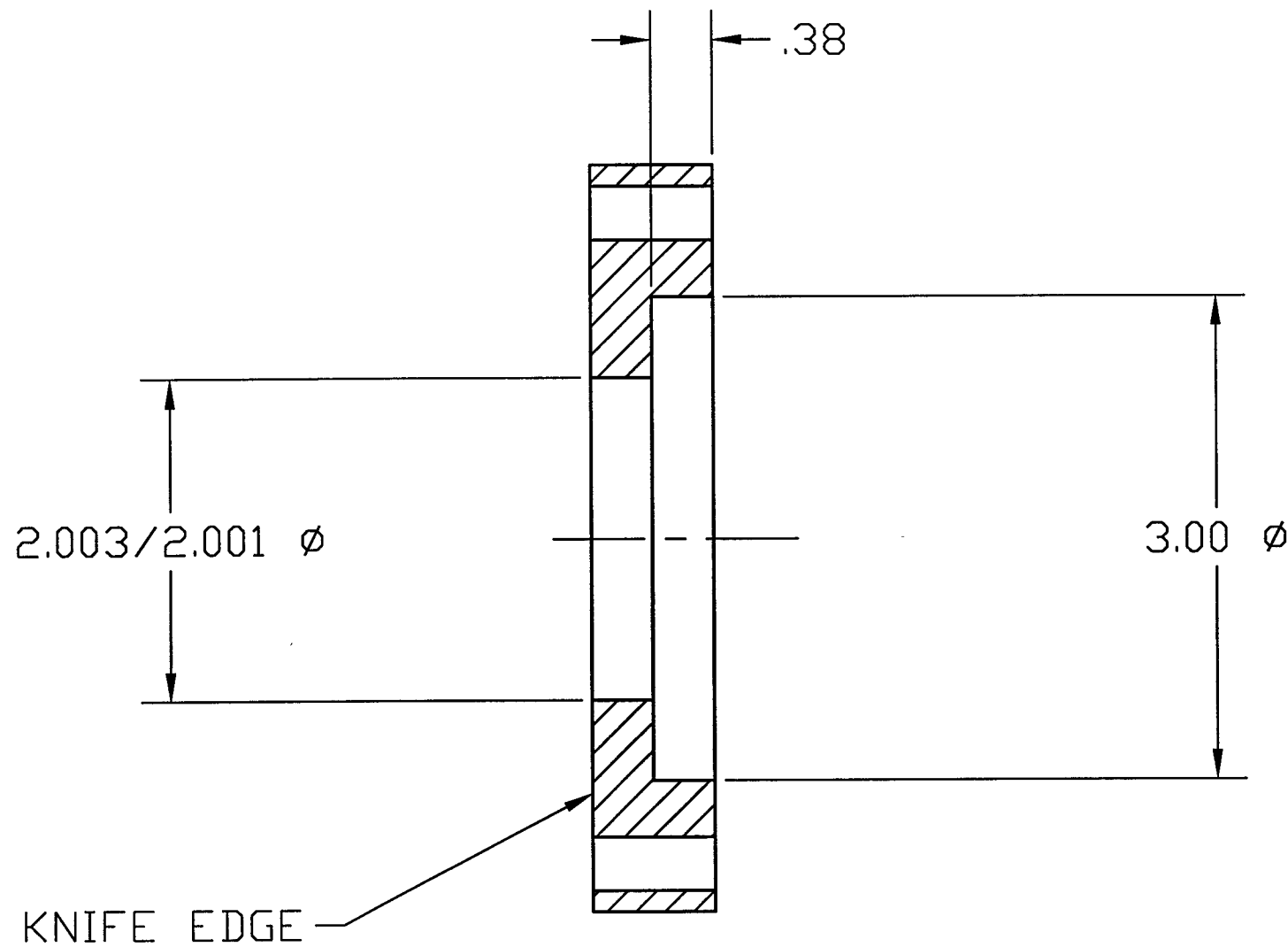


B103792 REV. B

REVISIONS			
REV.	DESCRIPTION	APPROVED	DATE
A	RELEASED	AJL	10/3/96
B	ADDED 1.25 FLAT	AJL	10/15/96



DEC 19 1996
 PS: DWG # V049-8-570
 LIGO-D961685-B-V

ITEM	QTY.	PART NO.	DESCRIPTION
1	1	462-000	(A&N) BLANK CF FLANGE, THRU HOLES
PART LIST			MATERIAL SPECIFICATION: SEE ABOVE
<small>UNLESS OTHERWISE SPECIFIED DIMENSIONS ARE IN INCHES TOLERANCES ARE: DECIMALS ANGLES FINISH .XX ± .01 ± 1° 32/ .XXX ± .005</small>			 GNE Corporation SCIENTIFIC AND INDUSTRIAL EQUIPMENT 30971 San Benito Ct. HAYWARD, CALIFORNIA 94544 (510) 441-1900 FAX: (510) 441-0939
<small>UNSPECIFIED FILLETS: R.015 BREAK EDGES .010 ± 45° REMOVE ALL BURRS</small>			
<small>THIRD ANGLE PROJECTION</small> 			
<small>DO NOT SCALE DRAWING</small>			
<small>CONTRACT OR SALES ORDER NO.</small> APPROX. WT. APPROVALS DATE DRAFTER AJL 10/3 CHECKER ENGINEER		TITLE CF FLANGE, CARRIAGE LIGO G44, G48	
CADD FILE NAME B103792B		DWG. NO. B103792 SCALE: NONE SHEET 1 OF 1	

B103793
 USED ON

B103792 REV. B

B103792 REV. B