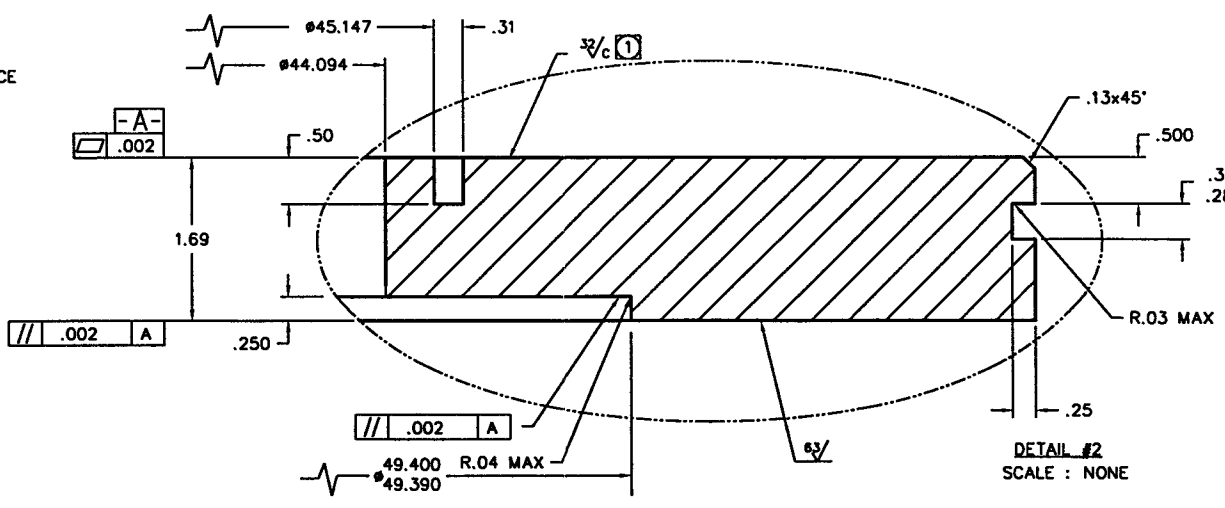
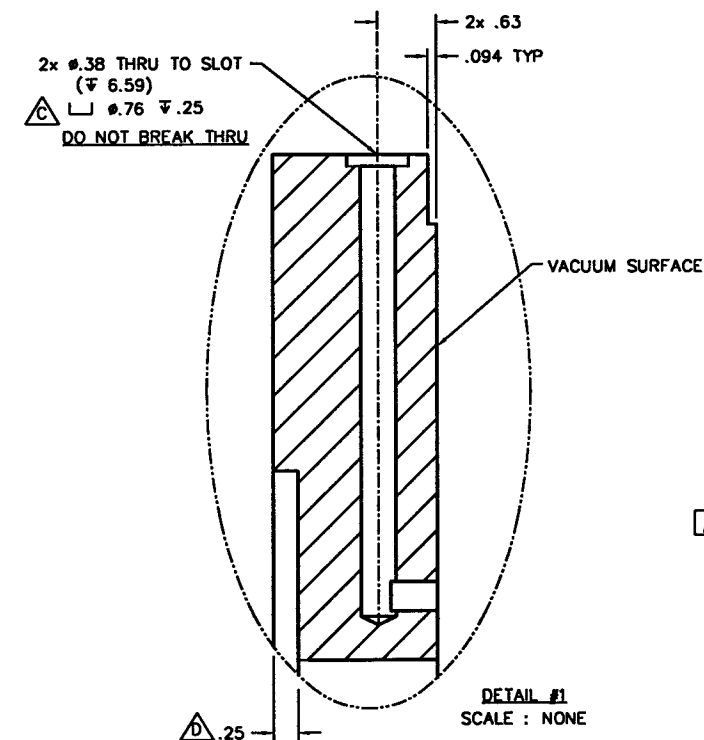
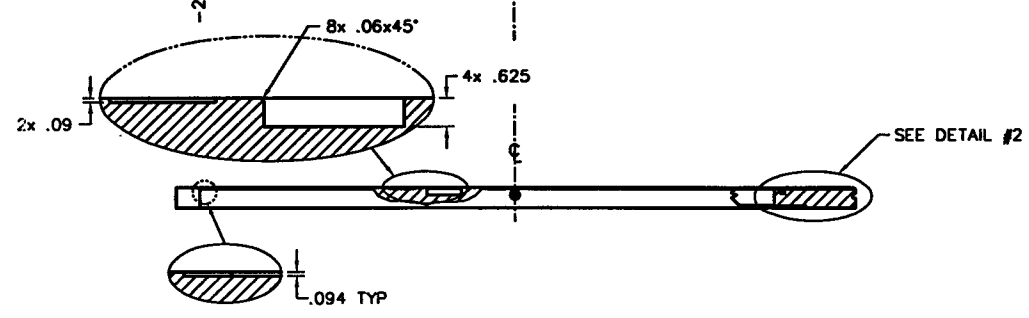
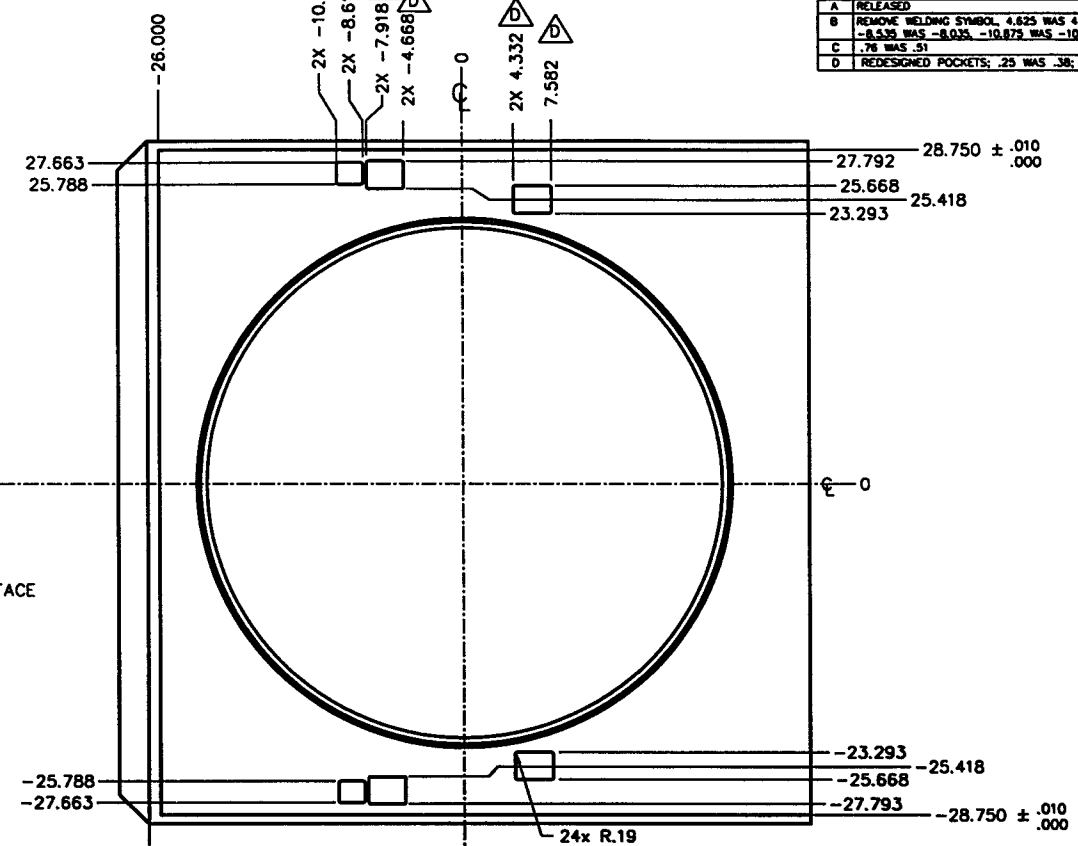
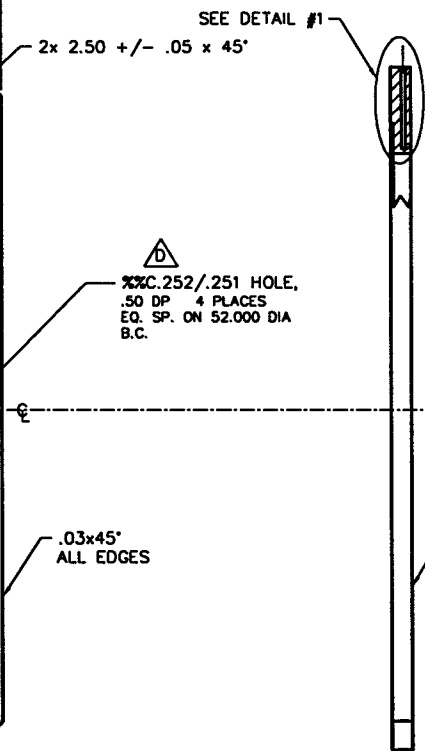
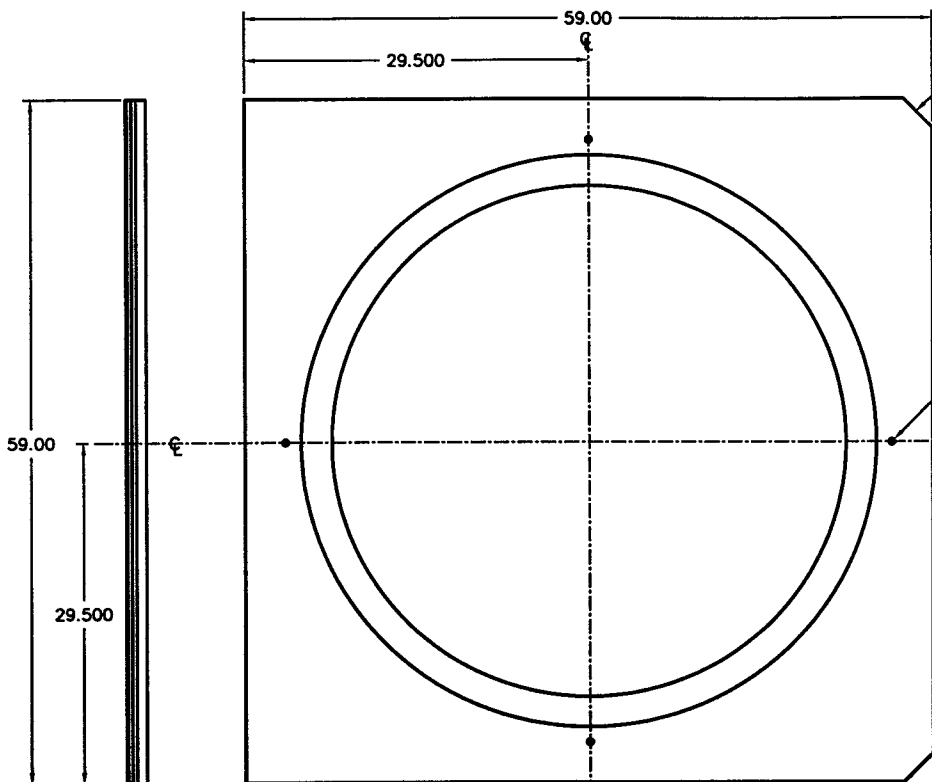


REV	DESCRIPTION	DATE
A	RELEASED	1-27-96
B	REMOVE WELDING SYMBOL, 4.625 WAS 4.125, 7.625 WAS 7.125, -8.535 WAS -8.035, -10.875 WAS -10.375	2-8-96
C	.76 WAS .51	10/19/96
D	REDESIGNED POCKETS; .25 WAS .38; ADDED ALIGNMENT HOLES	10/19/96



DEC 19 1996

PSI DWG # V049-8-575
LIGO-D961690-D-V

- NOTES:
- VACUUM SEALING SURFACE
 - PROTECT ALL SURFACES FROM SCRATCHES, GOUGES AND TOOLING MARKS DURING HANDLING

ITEM	QTY.	PART NO.	DESCRIPTION	PLT, 1.75 THK, 59.13 SQ., #43.5 ID
PART LIST			MATERIAL SPECIFICATION 304L SST	
UNLESS OTHERWISE SPECIFIED DIMENSIONS ARE IN INCHES TOLERANCES ARE: DECIMALS ANGLES FINISH .01 ± .01 ± 10° 125 JOB ± .005 //, C, L WITHIN .05 UNPROCESSED FLATS, RIMS BREAK EDGES, JOB & SST REMOVE ALL BURRS			CONTRACT OR SALES ORDER NO. APPROVALS DATE APPROVALS DATE THIRD ANGLE PROJECTION DO NOT SCALE DRAWING ENGINEER ZH 1-18-96	
GNB Corporation SCIENTIFIC AND INDUSTRIAL EQUIPMENT 30871 San Ramon Court MAYFIELD, CALIFORNIA 94544 (510) 441-1900 FAX: (510) 441-0830			TITLE PLATE, GATE SIDE FLANGE LIGO G44 (BW/FLG)	
D103797 USED ON			DWG. NO. 103798 SCALE: NONE SHEET 1 OF 1	