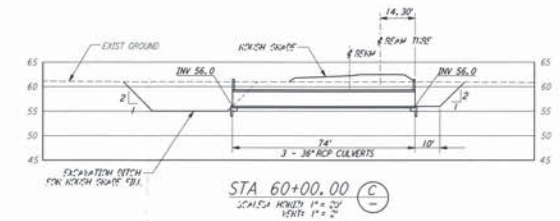
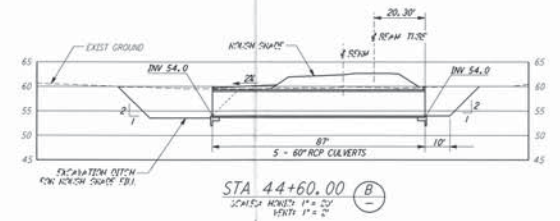
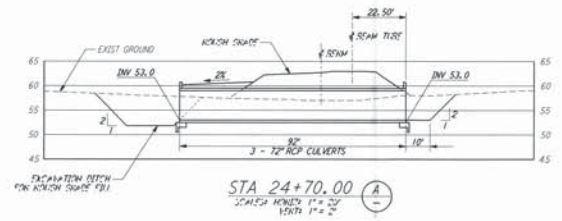
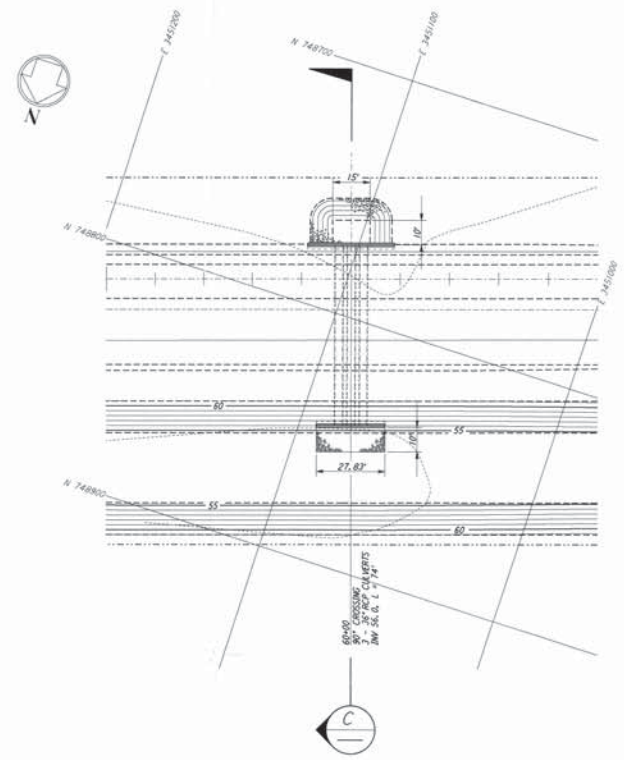
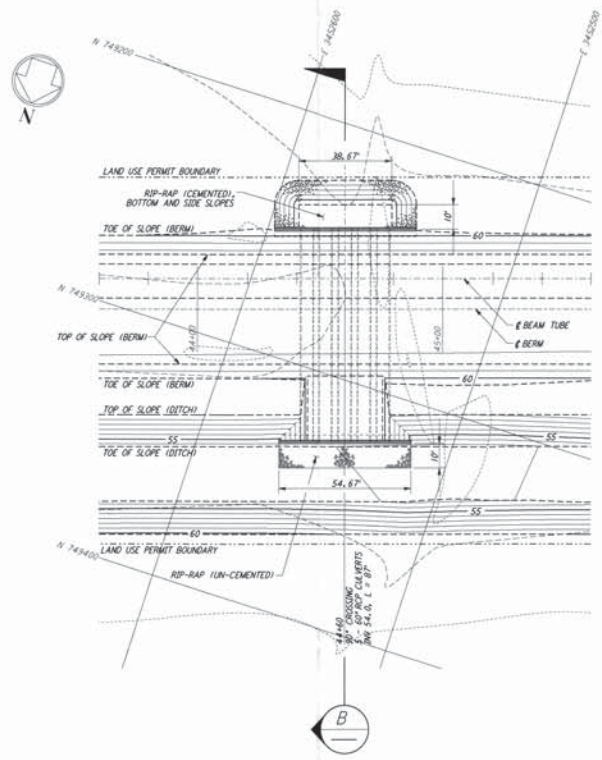
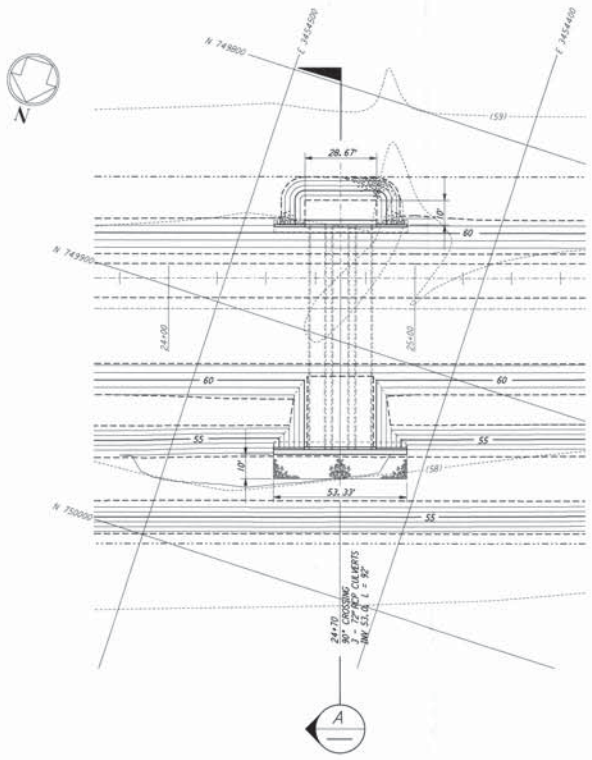


NOTES:
 1. SEE SHEET RG-C-002 FOR GENERAL NOTES, LEGEND AND ABBREVIATIONS.
 2. CALLOUTS TYPICAL FOR ALL PLANS.



This document and the design it covers are the property of PARSONS. They are loaned only with the borrower's expressed written agreement that they will not be reproduced, copied, loaned, exhibited, or used in any other way, except by written consent from PARSONS to the borrower.



9				DATE	07/17/95		
8				DRAWN	WES		
7				CHECKED	MDP		
6				SECT. HD	YJP		
5				PROJ. MGR			
4				CLIENT			
3							
2							
1							
NO.	DATE	APPROVED BY	DESCRIPTION OF REVISION	NO.	DATE	APPROVED BY	ISSUED FOR
1	07/17/95	JAB	FINAL DESIGN REVIEW				

DATE	07/17/95
DRAWN	WES
CHECKED	MDP
SECT. HD	YJP
PROJ. MGR	
CLIENT	

PARSONS
 100 WEST WALNUT STREET
 PASADENA, CALIFORNIA

LIGO
 CALIFORNIA INSTITUTE OF TECHNOLOGY
 MASSACHUSETTS INSTITUTE OF TECHNOLOGY

LXCO-0761733-A-0
 LASER INTERFEROMETER
 GRAVITATIONAL-WAVE OBSERVATORY
 ROUGH GRADING - LIVINGSTON, LA
 AS NOTED PPI50969 8094
**ROUGH GRADING
 SOUTHWEST ARM
 CULVERT GENERAL
 ARRANGEMENTS**
RG-C-027