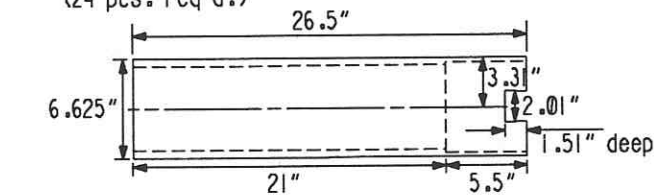
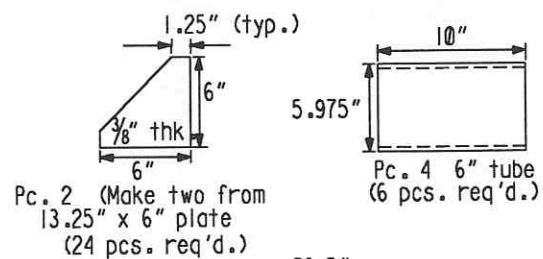
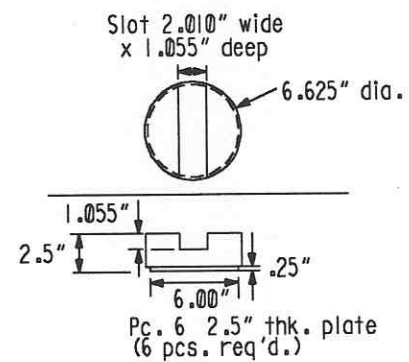
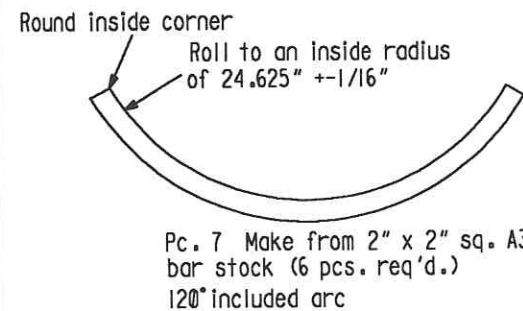


5.980\"/>



5.980\"/>



Supplier's/Purchaser's No.	
<b>CBI</b>	
<b>LIGO-BEAM TUBE</b> HANFORD, WA & LIVINGSTON, LA	
<b>TUBE SECTION LEAK TEST</b> TUBE SUPPORTS	
Customer's No.	Contract No.
By CLD Chkd DVD Date 2-27-96	953571
M. L. TELLALIAN Engineering Supervisor	Dwg. ER207 Rev. 1 Sheet
<b>L140-D970018-01-B</b>	