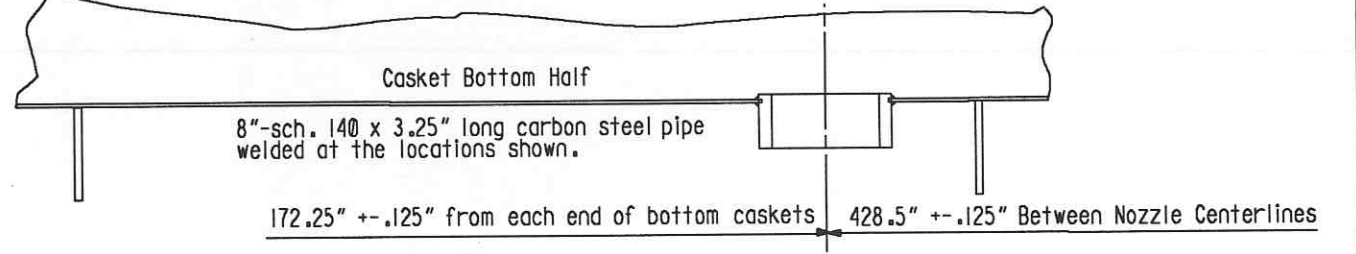
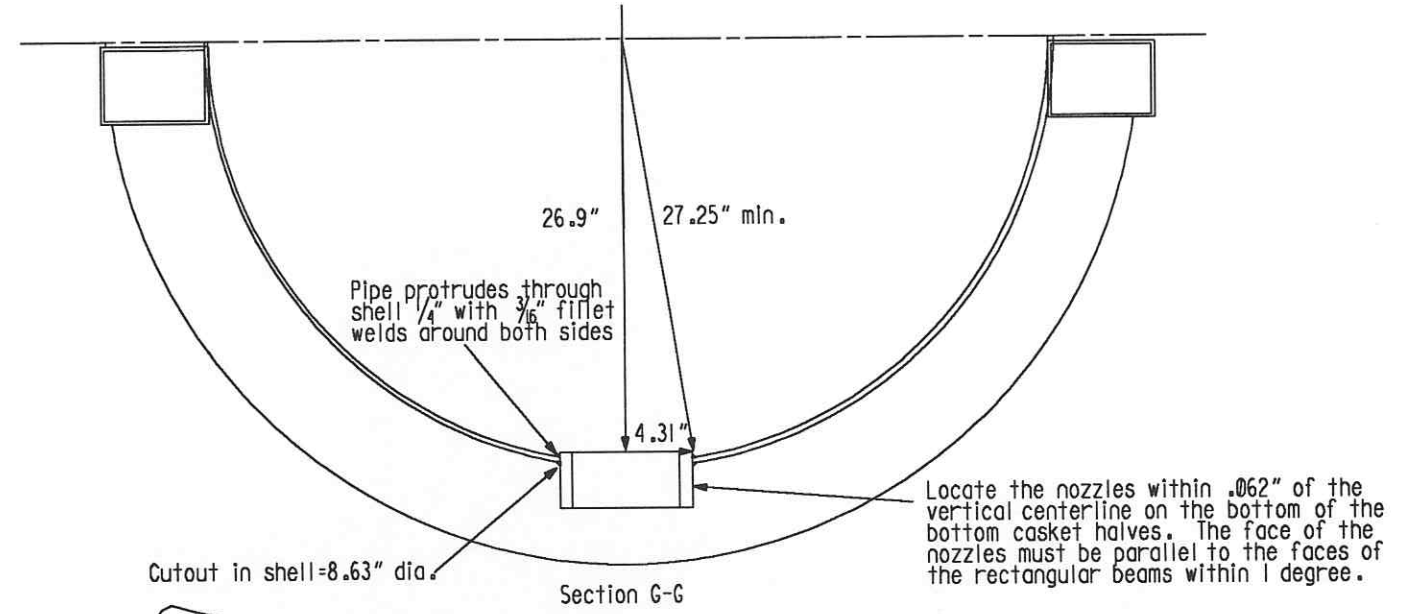
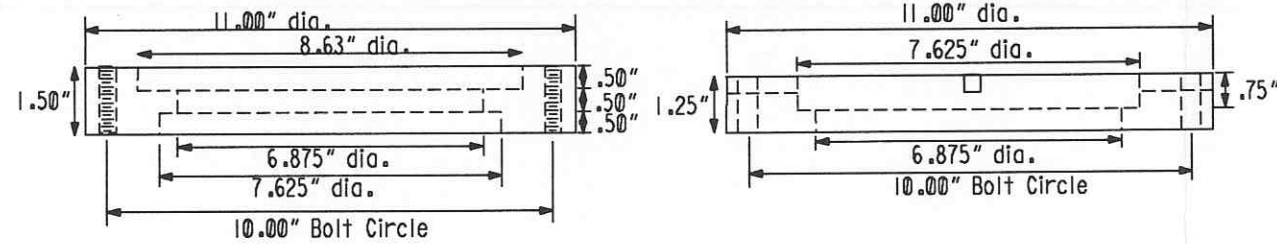
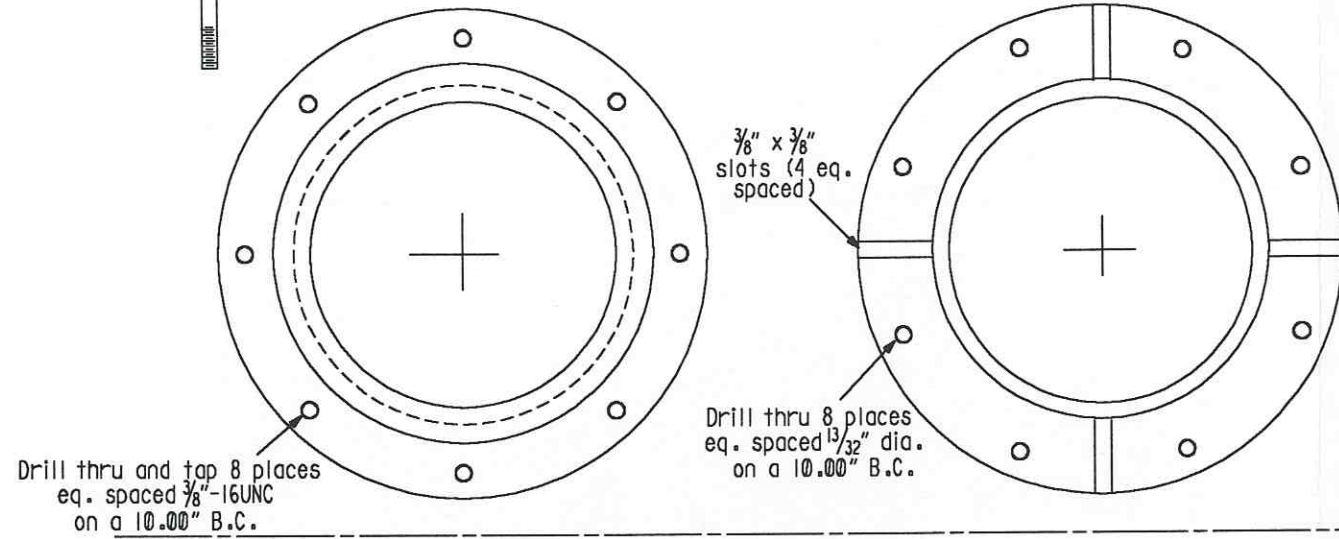


3/8"-16UNC Gr. 5 x 2.0" long bolts w/washers. (48 req'd.)



INDICATES CHANGE FROM PREVIOUS ISSUE

Supplier's/Purchaser's No.	
<b>CBI</b>	
<b>LIGO-BEAM TUBE</b>	
HANFORD, WA & LIVINGSTON, LA	
TUBE SECTION LEAK TEST	
TUBE SUPPORTS	
Customer's No.	Contract No.
By CLD Chkd DWD Date 2-27-96	953571
M. L. TELLALIAN	Drwg. ER208 Rev. 1
Engineering Supervisor	Sheet
<b>LIGO-D970019-01-B</b>	