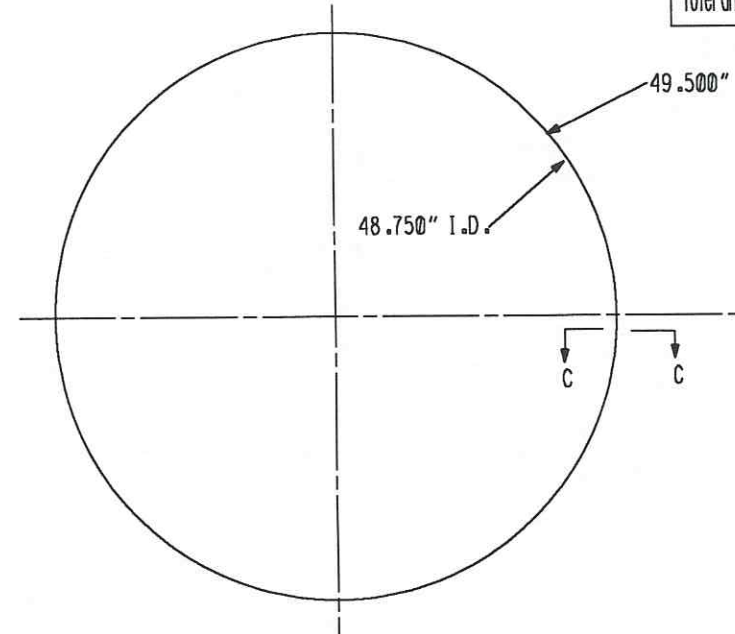
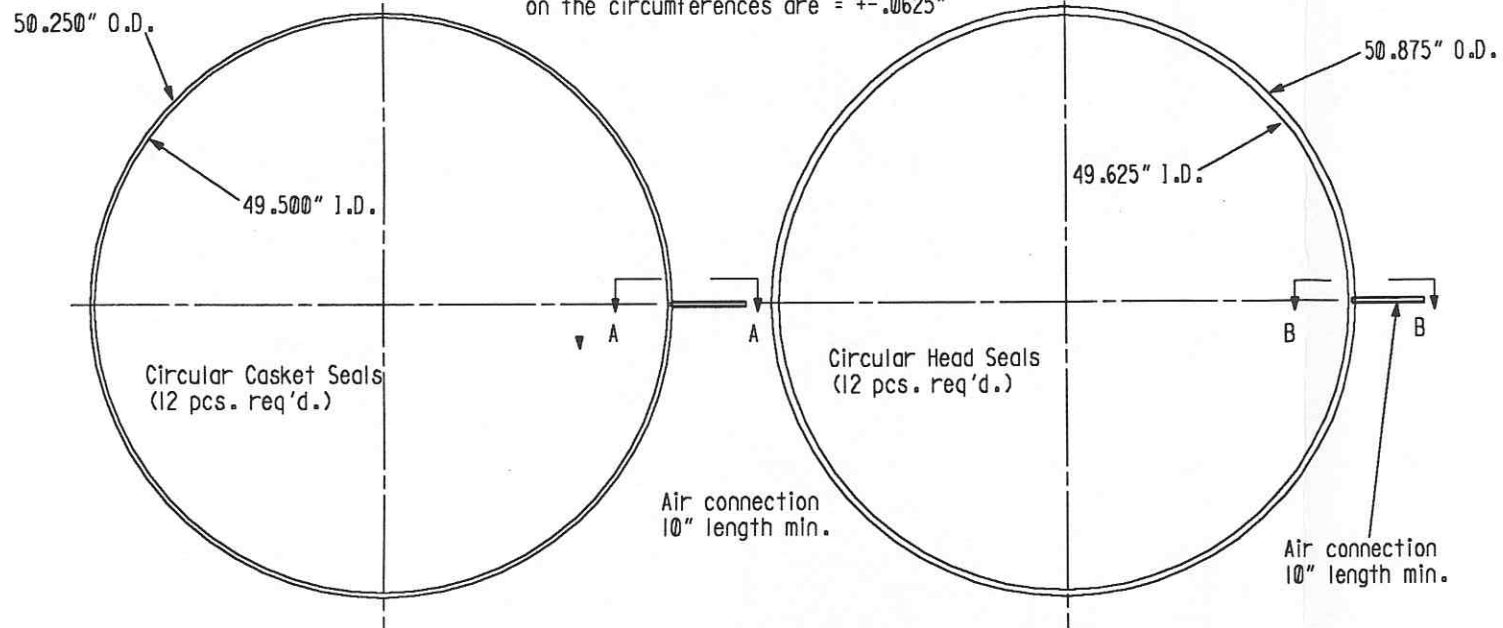
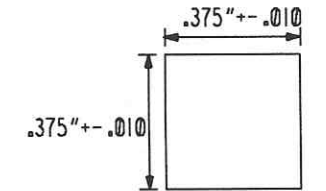


Note: The I.D.'s and O.D.'s must be held such that the tolerance on the circumferences are $\pm .0625$ "

Note: The I.D. must be held such that the tolerance on the I.D. is $\pm .040$ "

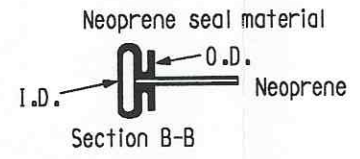
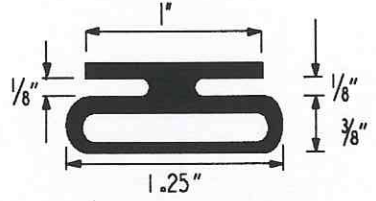
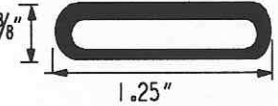
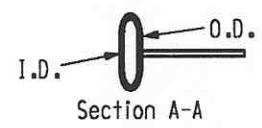


Solid Circular Head Seals (100 pcs. req'd.)



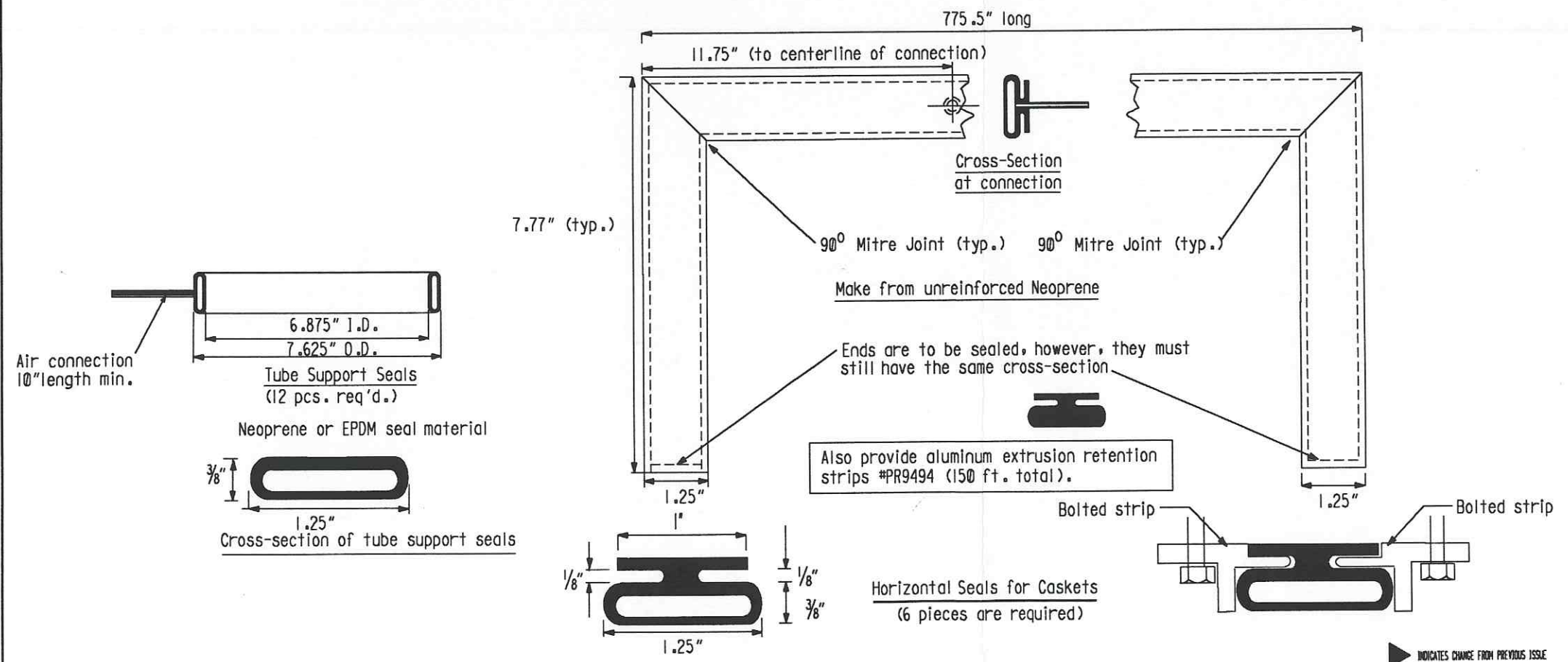
Material is to be 70 durometer Buna-N Section C-C

Neoprene or EPDM seal material

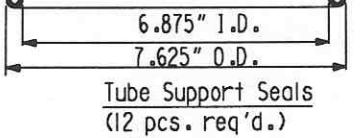


Circular Air Seals for Caskets and Heads

Solid Circular Seals for Heads



Air connection 10" length min.



Tube Support Seals (12 pcs. req'd.)

Neoprene or EPDM seal material



Cross-section of tube support seals

Also provide aluminum extrusion retention strips #PR9494 (150 ft. total).

Horizontal Seals for Caskets (6 pieces are required)

INDICATES CHANGE FROM PREVIOUS ISSUE

Supplier's/Purchaser's No.		Contract No. 953571	
LIGO-BEAM TUBE HANFORD, WA & LIVINGSTON, LA			
TUBE SECTION LEAK TEST CASKET & HEAD SEALS			
Customer's No.		Date 2-26-96	
By CLD Chkd DMD		M. L. TELLALIAN	
Engineering Supervisor		Sheet	
Revisions		Rev. 1	
L190-D970020-01-B			