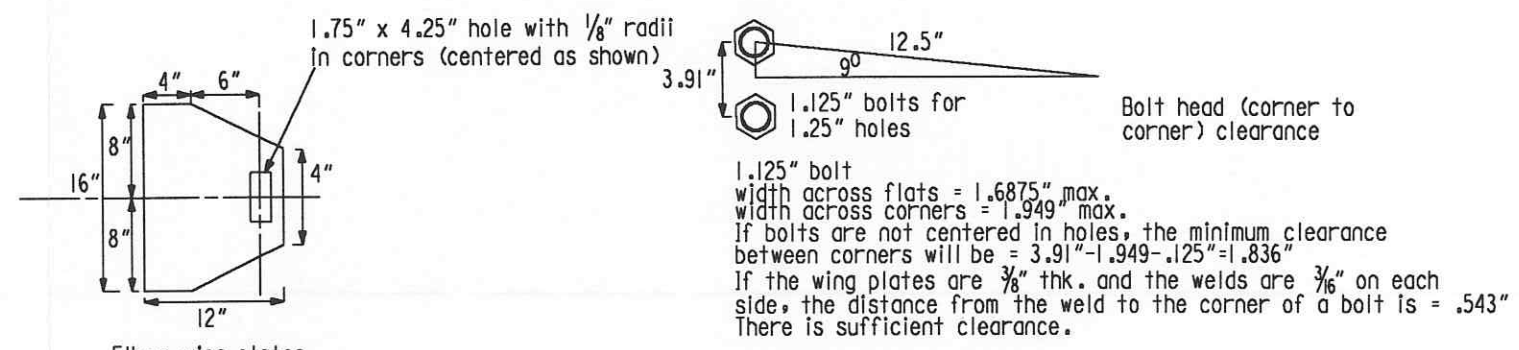
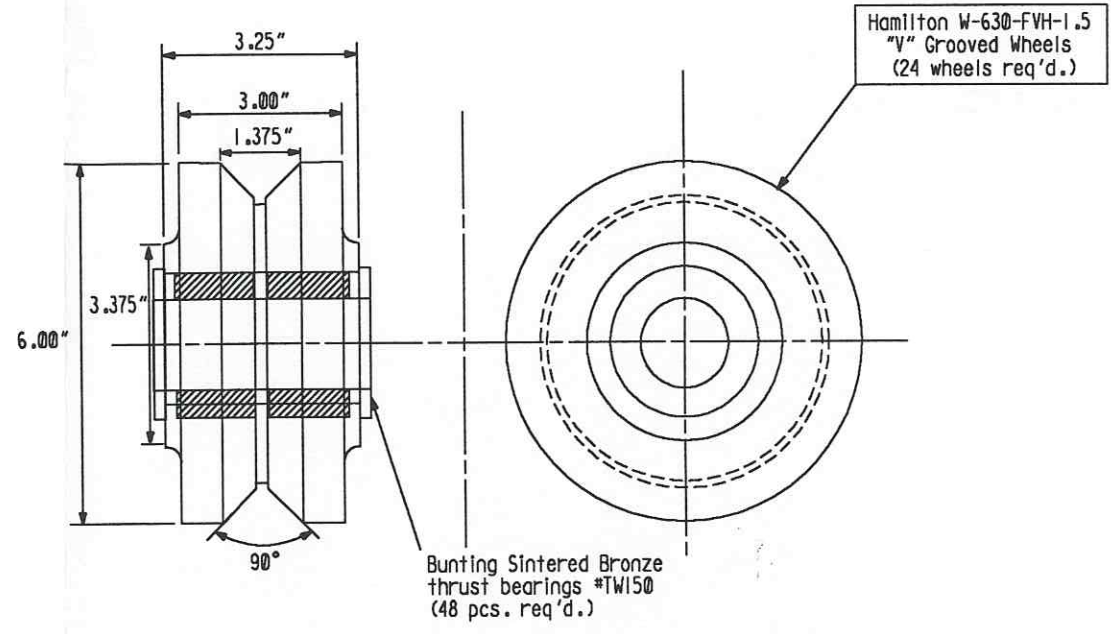
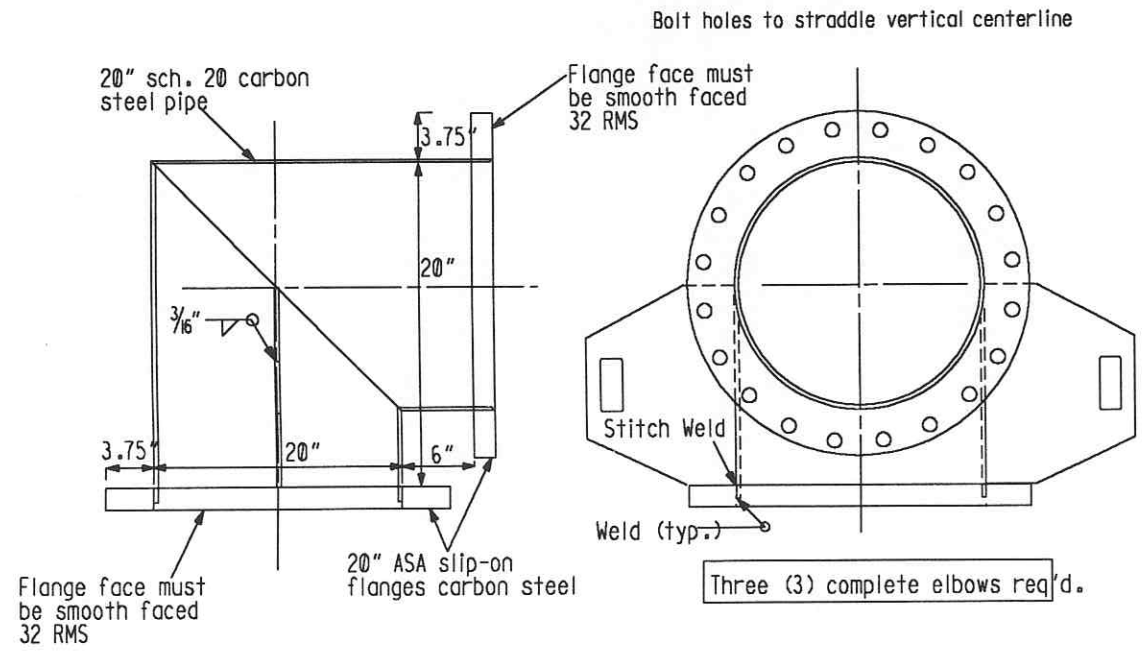
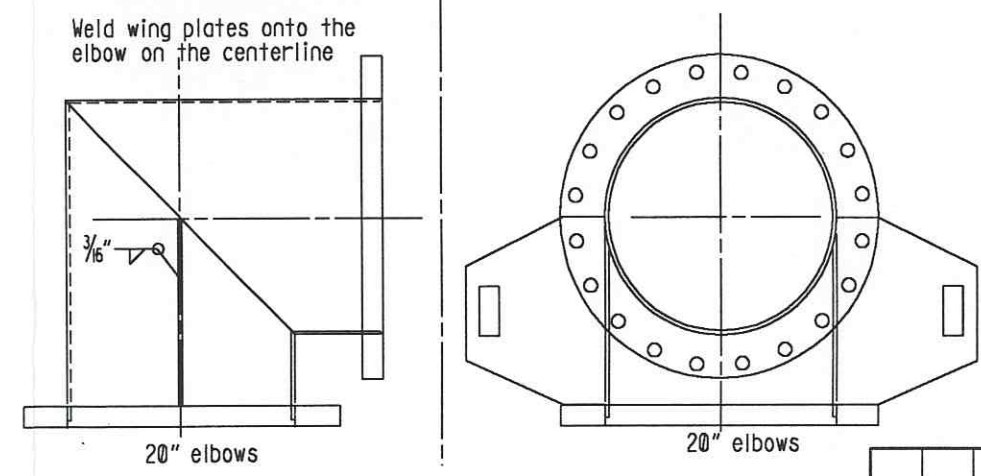


Weight: 2 flanges #155# ea. plus 35" of 20" sch.20 pipe = 534#



Elbow wing plates
Make from 3/8" A36 plate
(6 pcs. req'd.)



Supplier's/Purchaser's No.	
CBI	
LIGO-BEAM TUBE HANFORD, WA & LIVINGSTON, LA	
TUBE SECTION LEAK TEST FRAME WHEELS & ELBOW	
Customer's No.	Contract No.
By CLD Chkd DWD Date 2-27-96	953571
M. L. TELLALIAN Engineering Supervisor	Dwg. ER215 Rev. 1
1190-D970026-01-B	

INDICATES CHANGE FROM PREVIOUS ISSUE