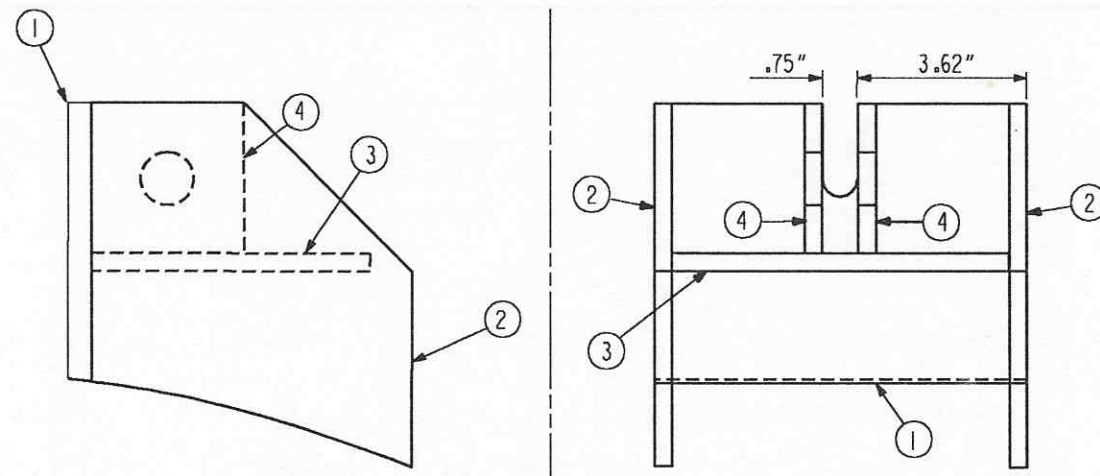
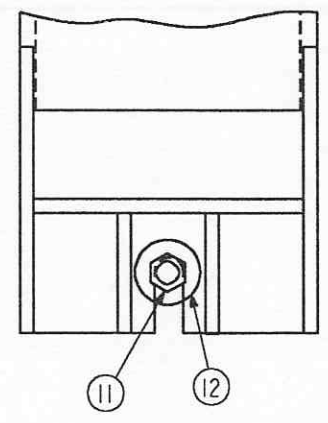
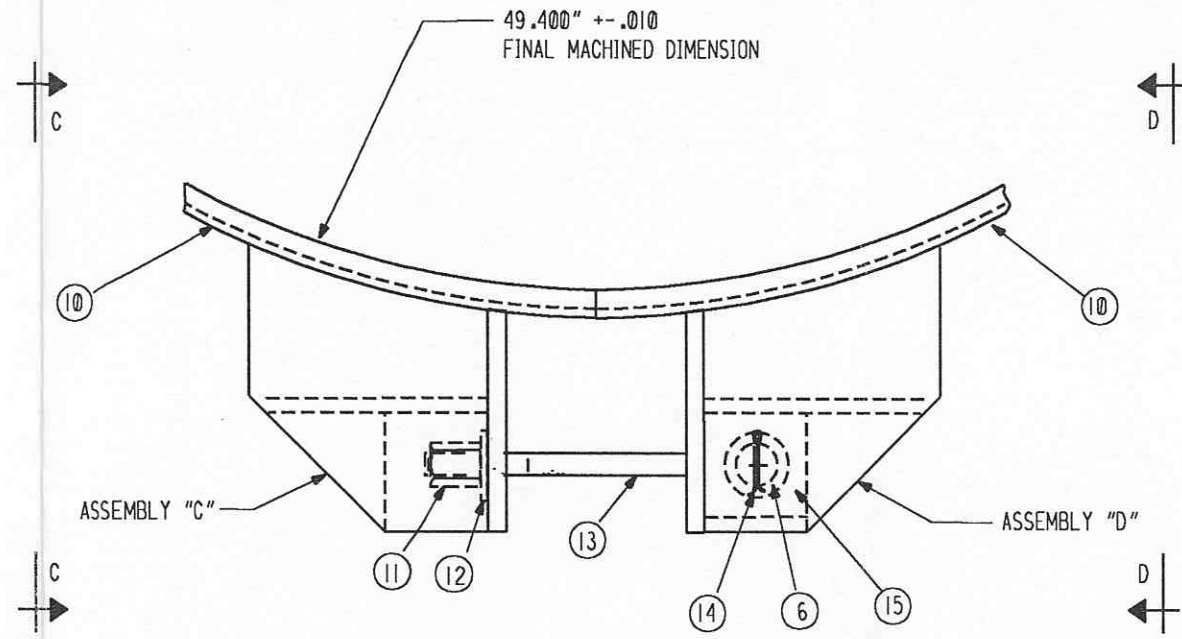


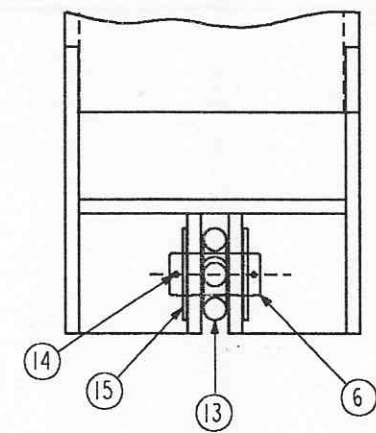
ASSEMBLY "C"  
(MAKE 2 PCS.)



ASSEMBLY "D"  
(MAKE 2 PCS.)



VIEW C-C  
ASSEMBLY "C"



VIEW D-D  
ASSEMBLY "D"

INDICATES CHANGE FROM PREVIOUS ISSUE

REMOVED BOTTOM NOTES IN TITLE BLOCK		Supplier's/Purchaser's No.	
By: <i>[Signature]</i> Date: 6-17-96		Customer's No. _____	
By: CLD Date: 2-26-96		Contract No. 953571	
By: M. L. TELLALIAN Date: _____		Dwg. ER601	
By: _____ Date: _____		Rev. 1	
By: _____ Date: _____		Sheet	
<p style="text-align: center;"><b>LIGO-D970054-01-B</b></p>			