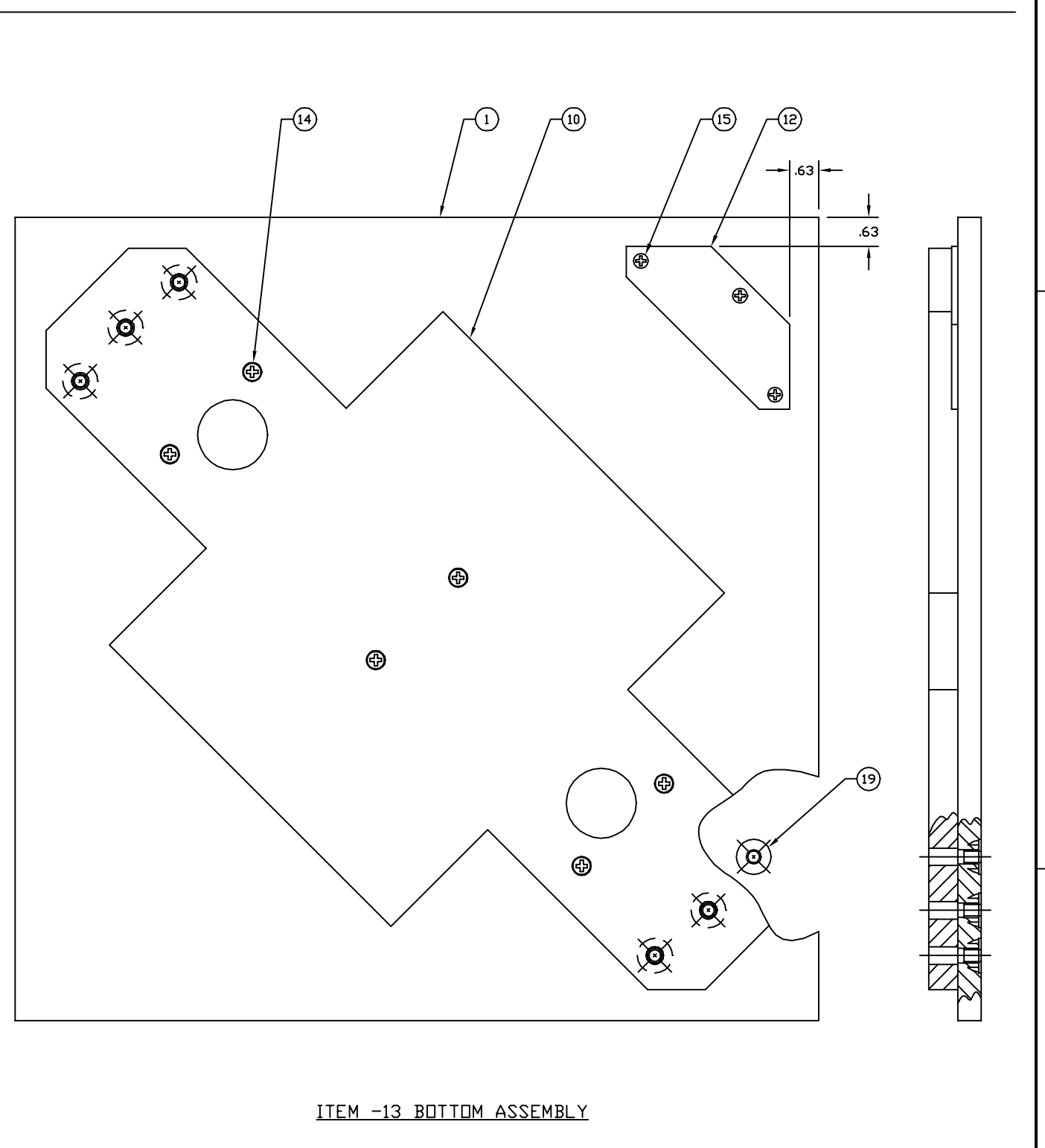
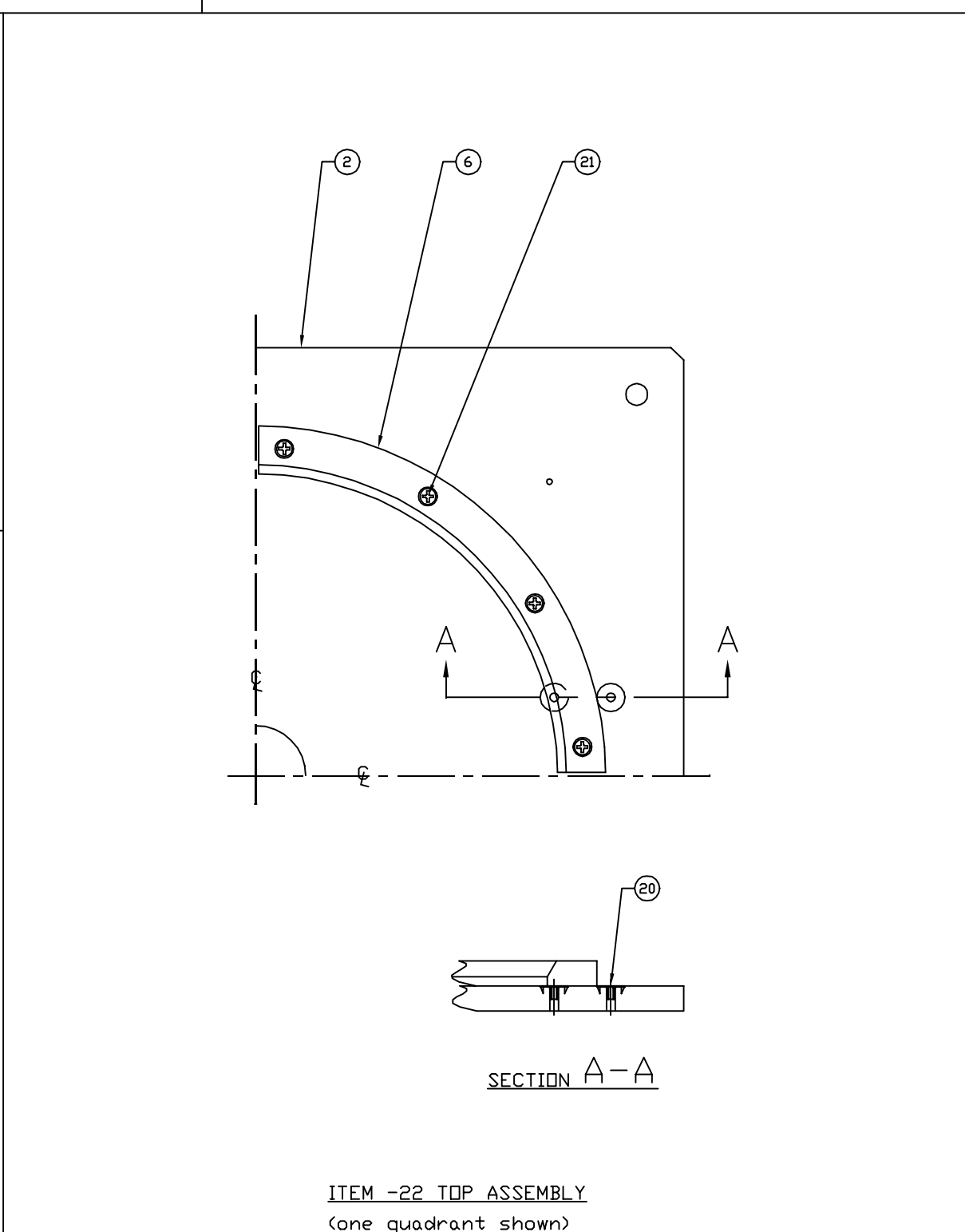
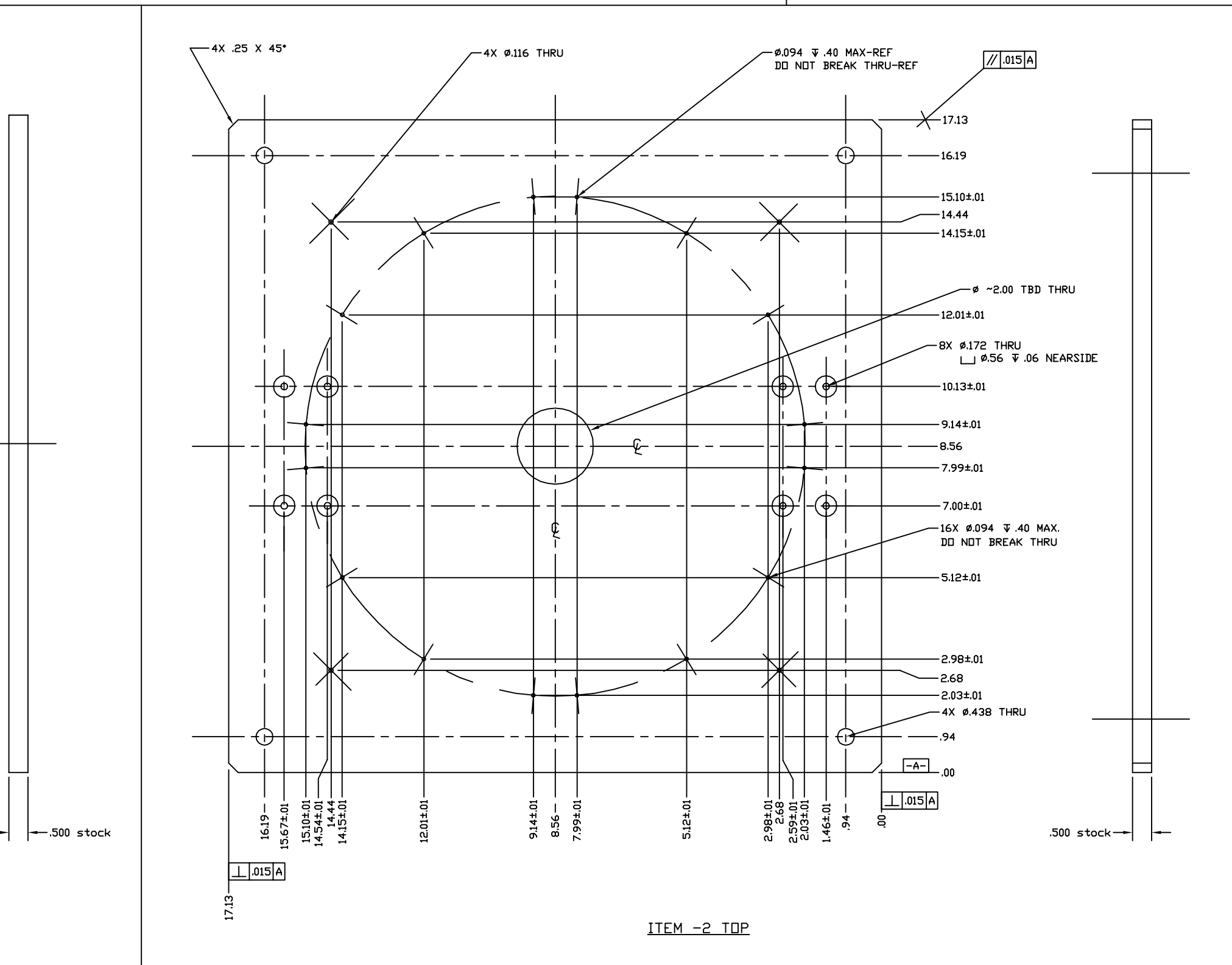
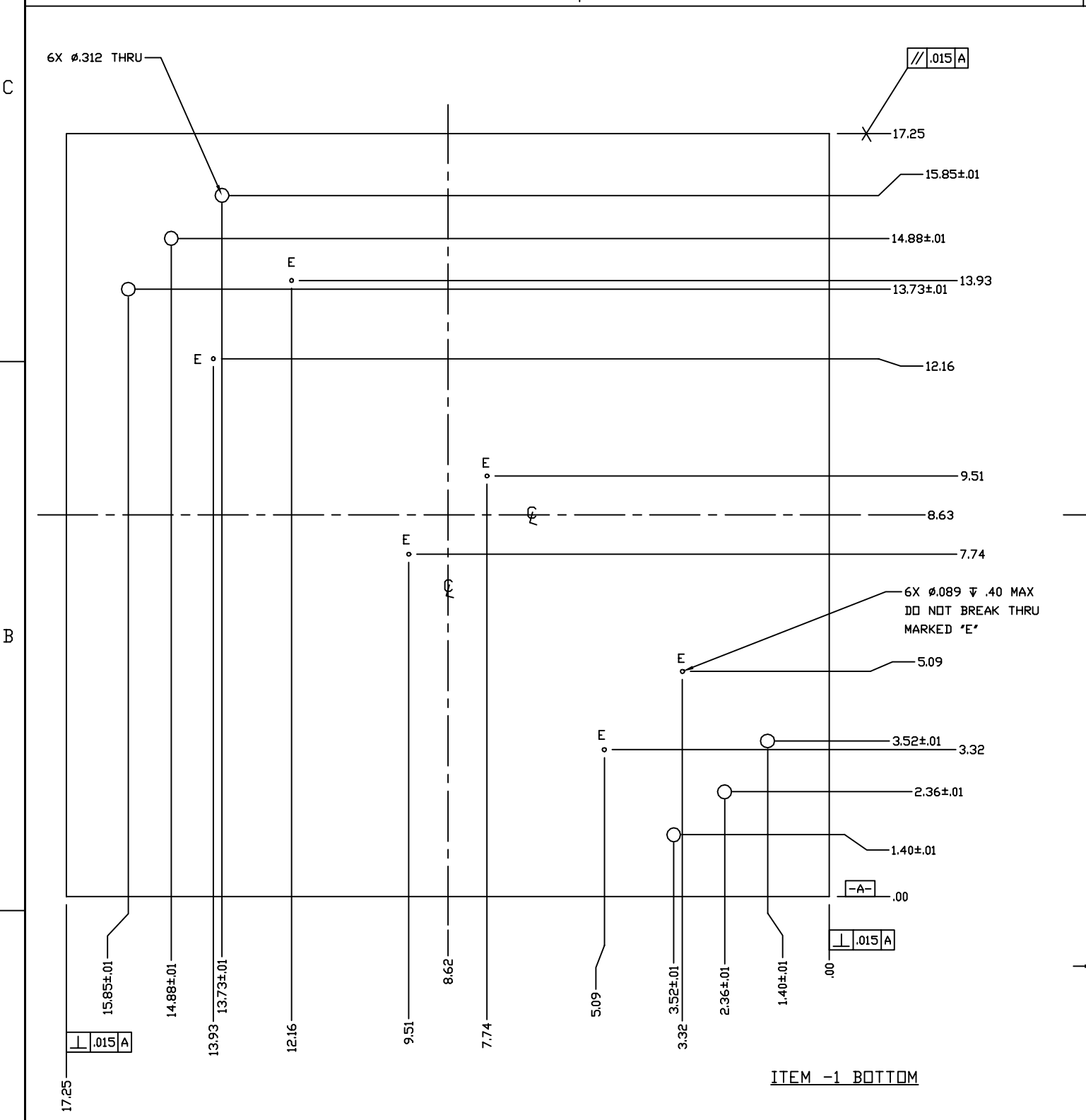


NOTES: (UNLESS OTHERWISE SPECIFIED)

- NO ADHESIVES, PAINTS, VARNISHES, OR OTHER VOLATILE COMPOUNDS ARE TO BE USED IN THE FABRICATION OR ASSEMBLY OF THESE PARTS.
- ALL PARTS ON THIS DRAWING ARE USED ON DRAWING D970064 (SHIPPING COMPARTMENT ASSEMBLY).

△ MAY BE PURCHASED FROM:
 McMASTER-CARR
 LOS ANGELES, CA
 (310) 692-5911



REF	QTY	PART or DRWG No.	NOMENCLATURE or DESCRIPTION	MATERIAL
22	-	-22	TOP ASSEMBLY	-
21	16	McM-Carr #90031A198	#8 x .88 LONG PHILLIPS FL. HD. WOOD SCREW	STEEL/ZINC PLATE
20	8	McM-Carr #90975A007	#6-32 x .25 LONG TEE NUT	STEEL/ZINC PLATE
19	6	McM-Carr #90975A025	1/4-20 x .312 LONG TEE NUT	STEEL/ZINC PLATE
18	1	McM-Carr #98010A200	.438 I.D. x 1.00 O.D. x .10 THICK FLAT WASHER	STAINLESS STEEL
17	1	McM-Carr #8657K116	.50 x 12 x 12 SHEET	LOW DEN. POLY (L DPE)
16	1	McM-Carr #92390A285	2.375 x 2.84 GRIP LENGTH CLEVIS PIN	STAINLESS STEEL (300)
15	3	McM-Carr #90031A194	#8 x .50 LONG PHILLIPS FL. HD. WOOD SCREW	STEEL/ZINC PLATE
14	6	McM-Carr #90031A247	#10 x 1.00 LONG PHILLIPS FL. HD. WOOD SCREW	STEEL/ZINC PLATE
13	-	-13	BOTTOM ASSEMBLY	-
12	1	-12	.125 X 1.75 WIDE STRIP (PLATE)	6061-T6 ALUM
11	-	-11	WASHER (MAKE FROM ITEM 18)	-
10	1	-10	SUPPORT	PLYWOOD .625 THK
9	-	-9	.50 SQ. X 4.63 LONG (VERT)	WOOD
8	-	-8	.50 SQ. X 16.25 LONG (HORIZ)	WOOD
7	-	-7	SIDE	PLYWOOD .500 THK
6	-	-6	RING (MAKE FROM ITEM 17, MAKES 5)	-
5	-	-5	CLAMP	WOOD
4	-	-4	GUSSET	WOOD
3	-	-3	PIN (MAKE FROM ITEM 16)	-
2	-	-2	TOP	PLYWOOD .500 THK
1	1	-1	BOTTOM	PLYWOOD .500 THK
PARTS and MATERIAL LIST				

UNLESS OTHERWISE SPECIFIED DIMENSIONS ARE IN INCHES

TOLERANCES:
 FRACTIONAL ±
 ANGULAR ±0.50
 ANGULARMACH ± BEND ±
 TWO PLACE DECIMAL ±.03

THREE PLACE DECIMAL ± FINISHED SURFACE 32 MICROINCH AVERAGE BREAK CORNERS IN: .02-.03 REMOVE ALL BURRS

MATERIAL: A DCN E970042
HEAT TREAT: 00 PRELIMINARY RELEASE
FINISH:

USED ON: NEXT ASS'Y: D970064

LIGO CALIFORNIA INSTITUTE OF TECHNOLOGY
 MASSACHUSETTS INSTITUTE OF TECHNOLOGY

COC CARRIER SHIPPING COMPARTMENT DETAILS

DWG. NO.	DESCRIPTION	REV	DESCRIPTION	DCC	SYS	DET	CDS	VE	CC	BT	CHECK	DRWN	DATE	CAD FILE	SIZE	DWG. NO.
	REFERENCE DRAWINGS													D970064-A.dwg	D	D970065-A-D
SCALE: NTS													SHEET: 1 OF 1			