

- NOTES:**
- 1) FOR PSI DVG. LIST & LEGEND SEE PSI DVG. #V049-3-001 SHT. 1.
 - 2) FOR LIST OF CIVIL CONTRACTOR REFERENCE DVGs. WITH CURRENT REVISIONS SEE PSI DVG. #V049-3-001 SHT. 2.
 - 3) COLD CATHODE POWER SWITCHING IS BY OTHERS.
 - 4) LIMIT SWITCHES ON VALVES ARE SHOWN WHEN VALVE IS IN THE CLOSED POSITION.

24VDC DISCRETE INPUT

24VDC DISCRETE OUTPUT

CONT'D ABOVE RIGHT

CONT'D ABOVE RIGHT

CONT'D ON SHEET 2

PRELIMINARY NOT FOR CONSTRUCTION

LIGO-D970143-00-V

PROCESS SYSTEMS INTERNATIONAL INC.
20 WALKUP DR. WESTBOROUGH, MASSACHUSETTS 01581 USA

CDS INTERFACE DIAGRAM
LIGO VACUUM EQUIPMENT
LOUISIANA SITE
LEFT END STATION

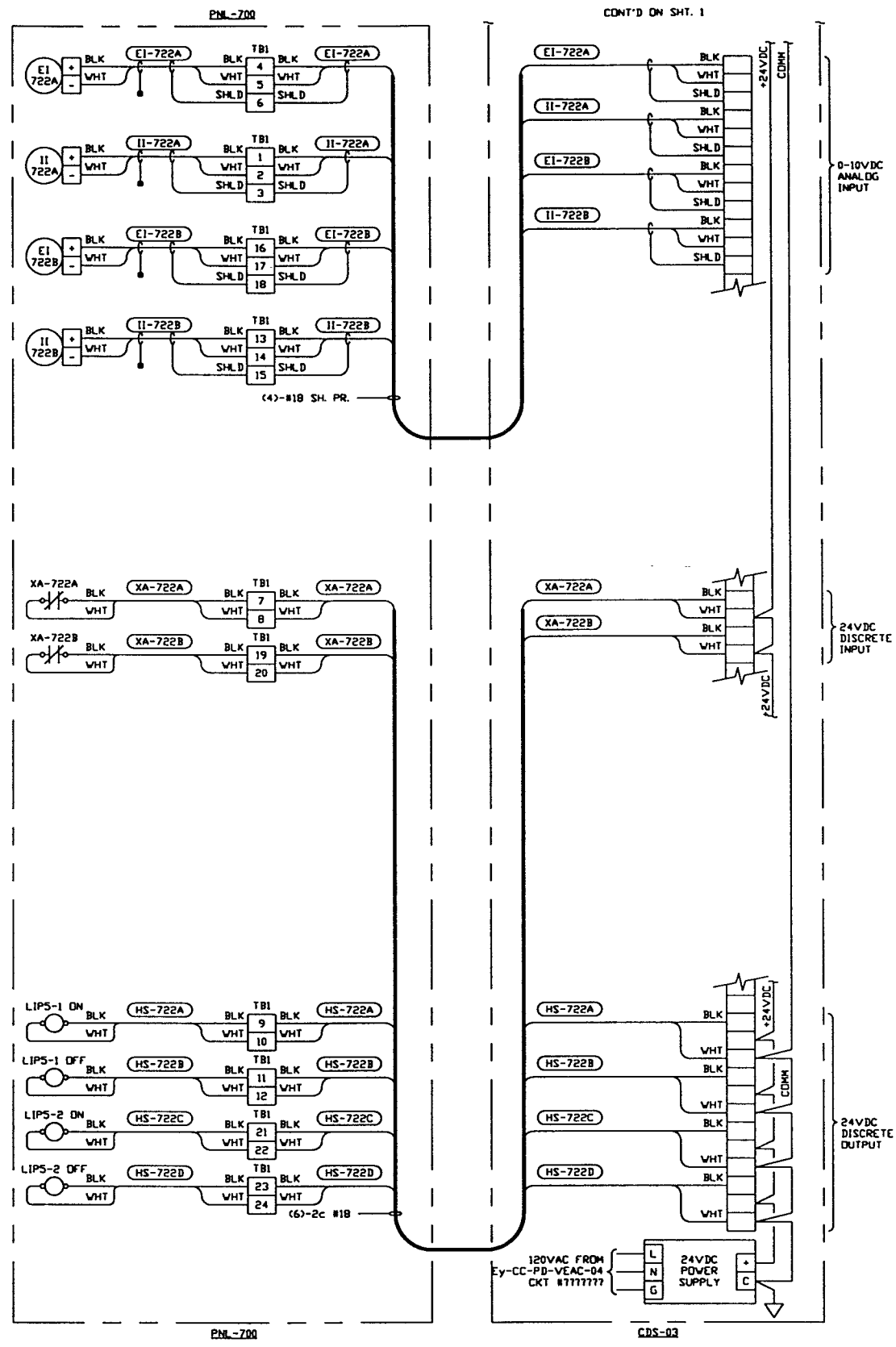
PROPRIETARY AND CONFIDENTIAL
THIS DOCUMENT CONTAINS PROPRIETARY INFORMATION BELONGING TO PROCESS SYSTEMS INTERNATIONAL, INC. OR ITS SUBSIDIARIES AND SHALL BE KEPT CONFIDENTIAL AND NOT REPRODUCED OR OTHERWISE USED FOR THE PURPOSE OF ANY OTHER PROJECT WITHOUT THE WRITTEN CONSENT OF PROCESS SYSTEMS INTERNATIONAL, INC. AND SHALL BE RETURNED UPON REQUEST.

UNLESS OTHERWISE SPECIFIED DIMENSIONS ARE IN INCHES
TOLERANCES:
FUNCTIONAL & ANGULAR: ±0.005
HOLE: ±0.005
TWO PLACE DECIMAL & IN THREE PLACE DECIMAL & 305 FINISHED SURFACE: ±0.005
BREAK CORNERS: 0.015
OUT: REMOVE ALL BURRS

DO NOT SCALE THIS DRAWING	0	ISSUE FOR LA DESIGN REVIEW	REBS	02.24.97	0430
USED ON:	REV	DESCRIPTION	CHKD	DRWN	DATE
NEXT ASS'Y:		ISSUE DESCRIPTION			


DWG. NO.	DESCRIPTION	DWG. NO.	DESCRIPTION
7	REFERENCE DRAWINGS	6	

CAD FILE	V0493708V3708S1	SIZE	D	DWG. NO.	V049-3-708	REV.	0
SCALE	NONE	SHEET	1	OF 2			



PRELIMINARY NOT FOR CONSTRUCTION

SEE SHEET 1 FOR REVISIONS

 PROCESS SYSTEMS INTERNATIONAL, INC. 20 WALRUP DR. WESTBOROUGH, MASSACHUSETTS 01581 USA			
CDS INTERFACE DIAGRAM LIGO VACUUM EQUIPMENT LOUISIANA SITE LEFT END STATION			
CAB FILE	SIZE	DWG. NO.	REV.
V0493708\3708S2	D	V049-3-708	0
SCALE	SHEET	2 OF 2	
NONE	1		

LIGO-D970143-00-V