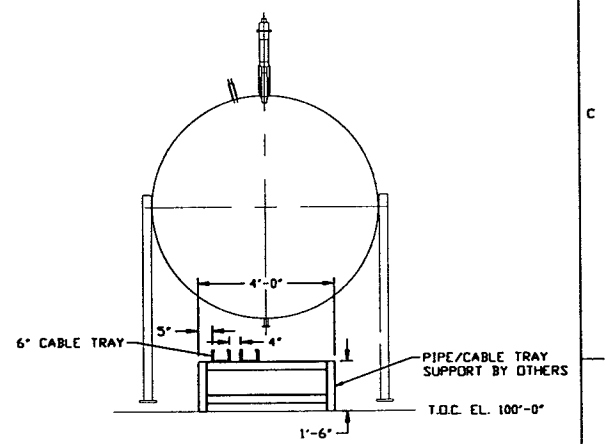
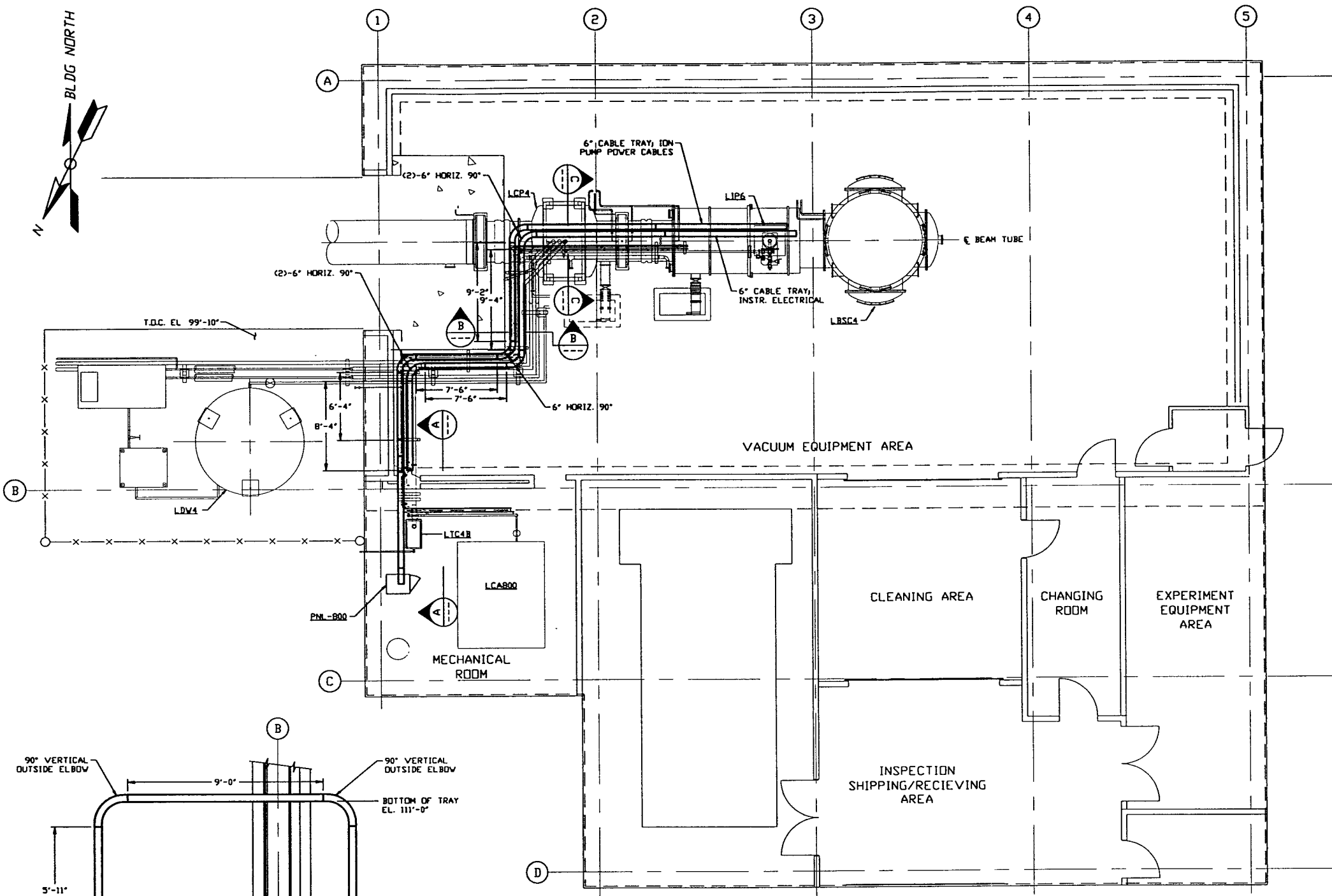
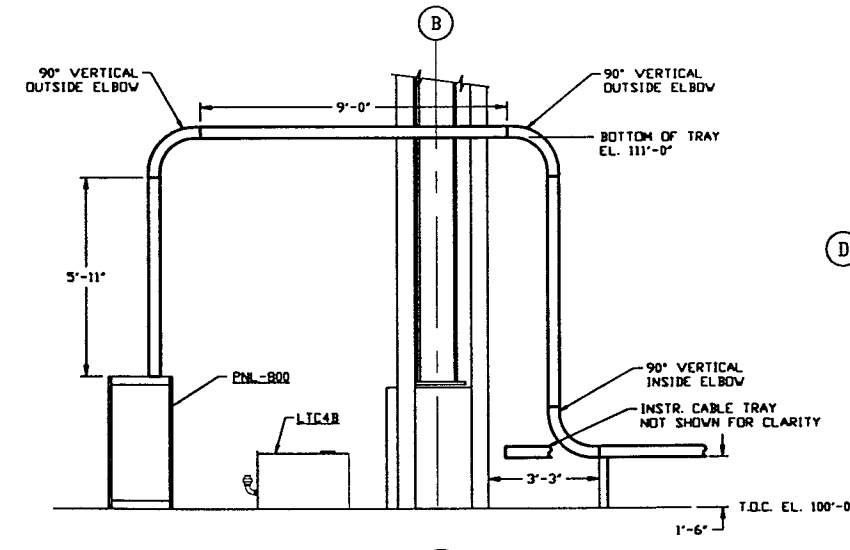


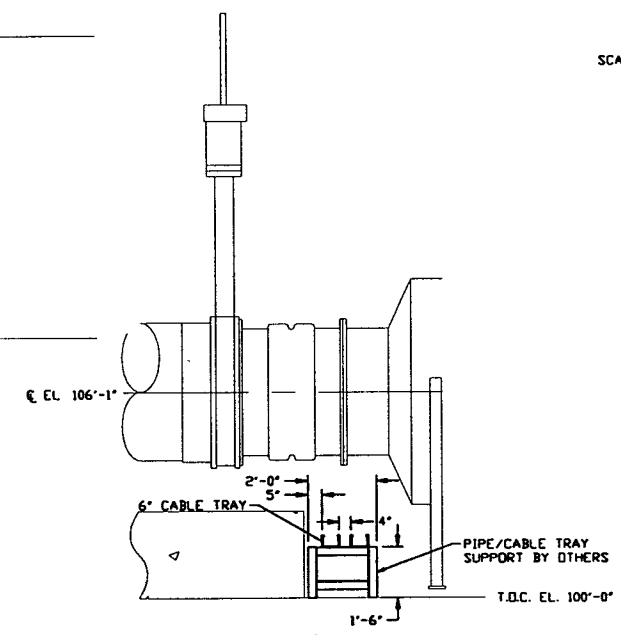
- NOTES:**
- 1) FOR GENERAL NOTES & LEGEND SEE PSI DWG. #V049-3-001 SHT. 1.
 - 2) FOR LIST OF CIVIL CONTRACTOR REFERENCE DWGS. WITH CURRENT REVISIONS SEE PSI DWG. #V049-3-001 SHT. 2.
 - 3) ALL CABLE TRAY LENGTHS ARE 12'-0" UNLESS OTHERWISE SPECIFIED.
 - 4) ALL CABLE TRAY SHALL BE GROUNDED PER N.E.C.
 - 5) ALL CABLE TRAY SHALL BE FIELD SUPPORTED.
 - 6) CABLE TRAY FOR ION PUMP POWER CABLES SHALL BE LABELED "DANGER HIGH VOLTAGE".
 - 7) CABLE TRAY SHALL BE LADDER TYPE AND SHALL MEET LOAD/SPAN CLASS DESIGNATION 12A. CABLE TRAY SHALL BE OF ALUMINUM CONSTRUCTION.
 - 8) CABLE TRAY SHALL HAVE SIDE CHANNEL FLANGES IN.
 - 9) DIMENSIONS TO CABLE TRAY ARE MEASURED TO THE OUTSIDE EDGE OF FLANGE.



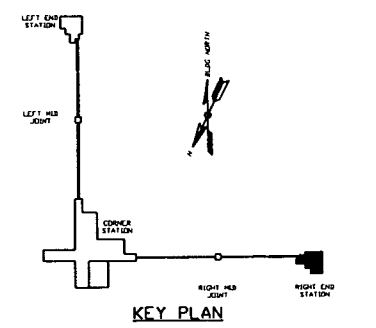
SECTION C REF. THIS SHT.
SCALE: 3/8" = 1'-0"



SECTION A REF. THIS SHT.
SCALE: 3/8" = 1'-0"



SECTION B REF. THIS SHT.
SCALE: 3/8" = 1'-0"



PRELIMINARY NOT FOR CONSTRUCTION

LIGO-D970146-00-V

PROPRIETARY AND CONFIDENTIAL
THIS DOCUMENT CONTAINS PROPRIETARY INFORMATION BELONGING TO PROCESS SYSTEMS INTERNATIONAL, INC. OR ITS SUBSIDIARIES AND SHALL BE KEPT CONFIDENTIAL FOR THE PURPOSE FOR WHICH IT WAS SUPPLIED. IT SHALL NOT BE COPIED, REPRODUCED OR OTHERWISE USED FOR ANY OTHER PURPOSE WITHOUT THE WRITTEN CONSENT OF PROCESS SYSTEMS INTERNATIONAL, INC. AND SHALL BE RETURNED UPON REQUEST.

DWG. NO.	DESCRIPTION	REF. DWG. NO.	DESCRIPTION
V049-3-003	LOUISIANA OVERALL SITE PLAN		
V049-3-001	GENERAL NOTES & LEGEND		
REFERENCE DRAWINGS			

USED ON	REV	DESCRIPTION	CHKD	DRWN	DATE	DCDR
DO NOT SCALE THIS DRAWING	0	ISSUE FOR LA DESIGN REVIEW			02.24.97	0430
NEXT ASS'Y:						

PROCESS SYSTEMS INTERNATIONAL, INC.
20 WALKUP DR. WESTBOROUGH, MASSACHUSETTS 01581 USA

CABLE TRAY PLAN
LIGO VACUUM EQUIPMENT
LOUISIANA SITE
RIGHT END STATION

CAD FILE	SIZE	DWG. NO.	REV.
V0493802	D	V049-3-802	0
SCALE	SHEET	1 OF 1	
3/16" = 1'-0"			