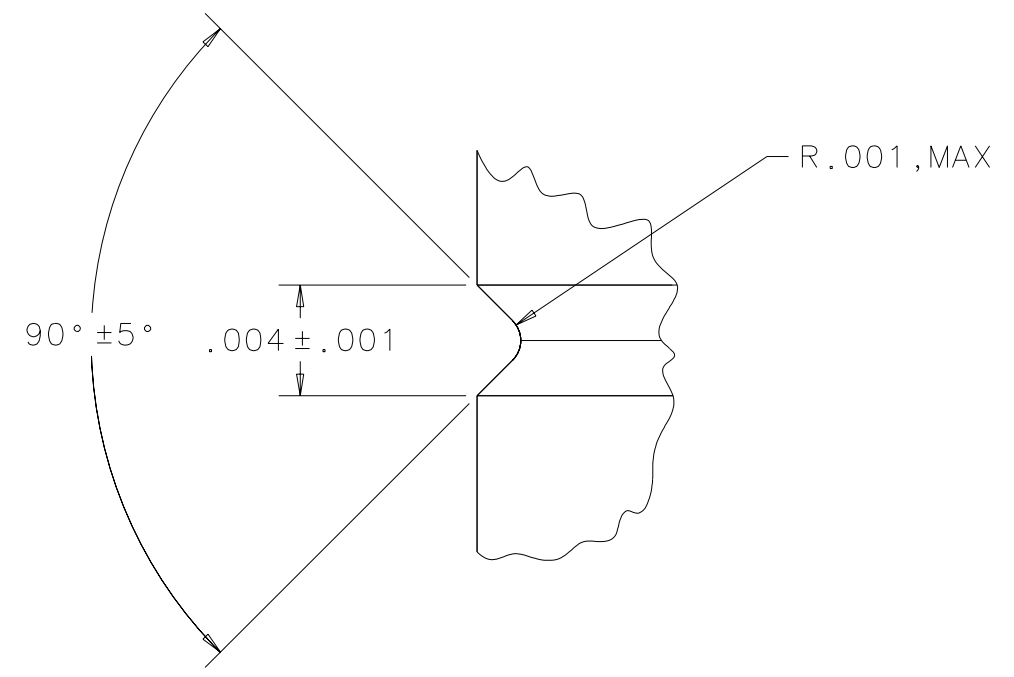
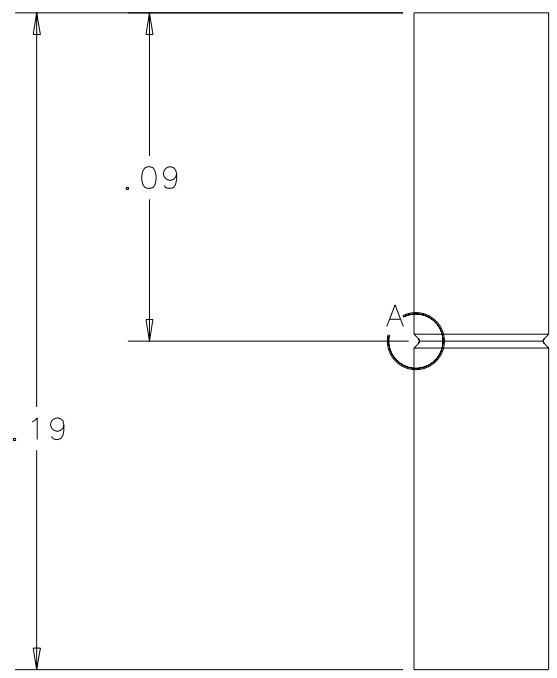


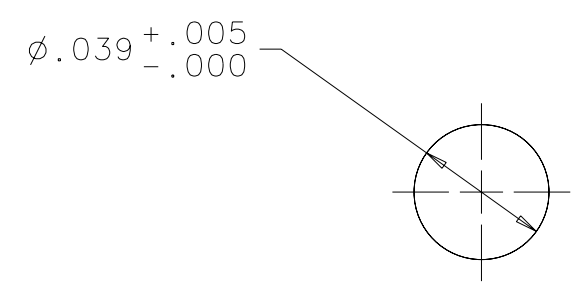
NOTES: (UNLESS OTHERWISE SPECIFIED)
 1. REMOVE ALL BURRS AND SHARP EDGES.

REV	DATE	DRAWN BY	CHECKED	DCC	DCN/DESCRIPTION
A	7-28-97	J. Hazel			E970121/INITIAL RELEASE



CIRCUMFERENTIAL GROOVE
 DETAIL A

SCALE 160:1



SCALE 20:1

QTY REQD	FSCM NO	PART OR IDENTIFYING NO	NOMENCLATURE OR DESCRIPTION	MATERIAL SPECIFICATION	ITEM NO
			PARTS LIST		
UNLESS OTHERWISE SPECIFIED DIMENSIONS ARE IN IN [mm] TOLERANCES ARE: FRACTIONS DECIMALS .XX = +/- .01 .XXX = +/- .005 ANGLES = +/- .5° DO NOT SCALE DRAWING			APPROVALS DRAWN J. Hazel CHECKED	DATE 5/14/97	LIGO CALIFORNIA INSTITUTE OF TECHNOLOGY MASSACHUSETTS INSTITUTE OF TECHNOLOGY
MATERIAL 6061-T6 ALUMINUM	TITLE WIRE STANDOFF, SOS			SIZE B	DWG NO. D970187-A-D
FINISH NONE	SCALE SEE ABOVE	FILENAME /home/dcc/docs/D970187.pdf	SHEET 1 OF 1		