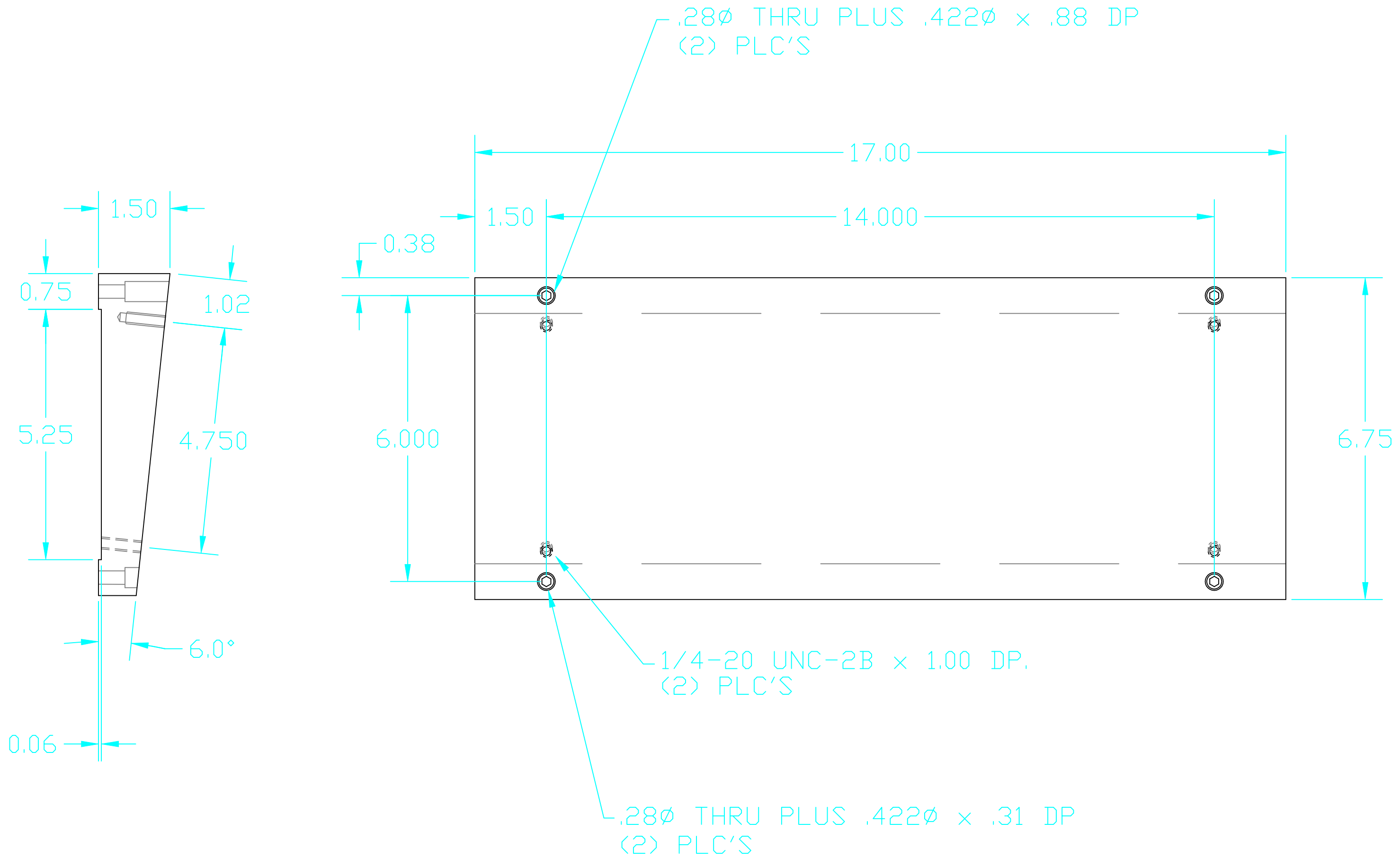



NOTES:

1. PAINTMEDIUM TEXT, PHTHALO GREEN
SHERWIN WILLIAMS # SW-F63TX-G72



REF	QTY	PART or DRWG No.	CDS	MATERIAL
PARTS and MATERIAL LIST				
 CALIFORNIA INSTITUTE OF TECHNOLOGY MASSACHUSETTS INSTITUTE OF TECHNOLOGY				
SPACER BLOCK SUPPORT STRUCTURE OPTICAL LEVER MMT3				
DWG. NO.		DESCRIPTION	CAD FILE	SIZE
REFERENCE DRAWINGS		USED ON: D970190	D970194-A.dwg	C
MATERIAL:		HEAT TREAT:	FINISH:	DWG. NO.
LOW CARBON M1020		-	SEE NOTES	D970194-A-D
UNLESS OTHERWISE SPECIFIED DIMENSIONS ARE IN FEET [cm]			DATE	SHEET
TOLERANCES: FRACTIONAL ±1/16(.16) ANGULAR ±1° TWO PLACE DECIMAL ±.01(.025) THREE PLACE DECIMAL ±.005(.013)			5/98	1 of 1
FINISHED SURFACE RMS 63 BREAK CORNERS .02 REMOVE ALL BURRS			6/97	
NEXT ASS'Y: -			MASDN	
			MASDN	
			DRWN	
			DATE	
			DCC	
			SYS	
			DET	
			CDS	
			VE	
			CC	
			BT	
			CHECK	
			REV	
			DESCRIPTION	
			ISSUE DESCRIPTION	
			SCALE	FULL