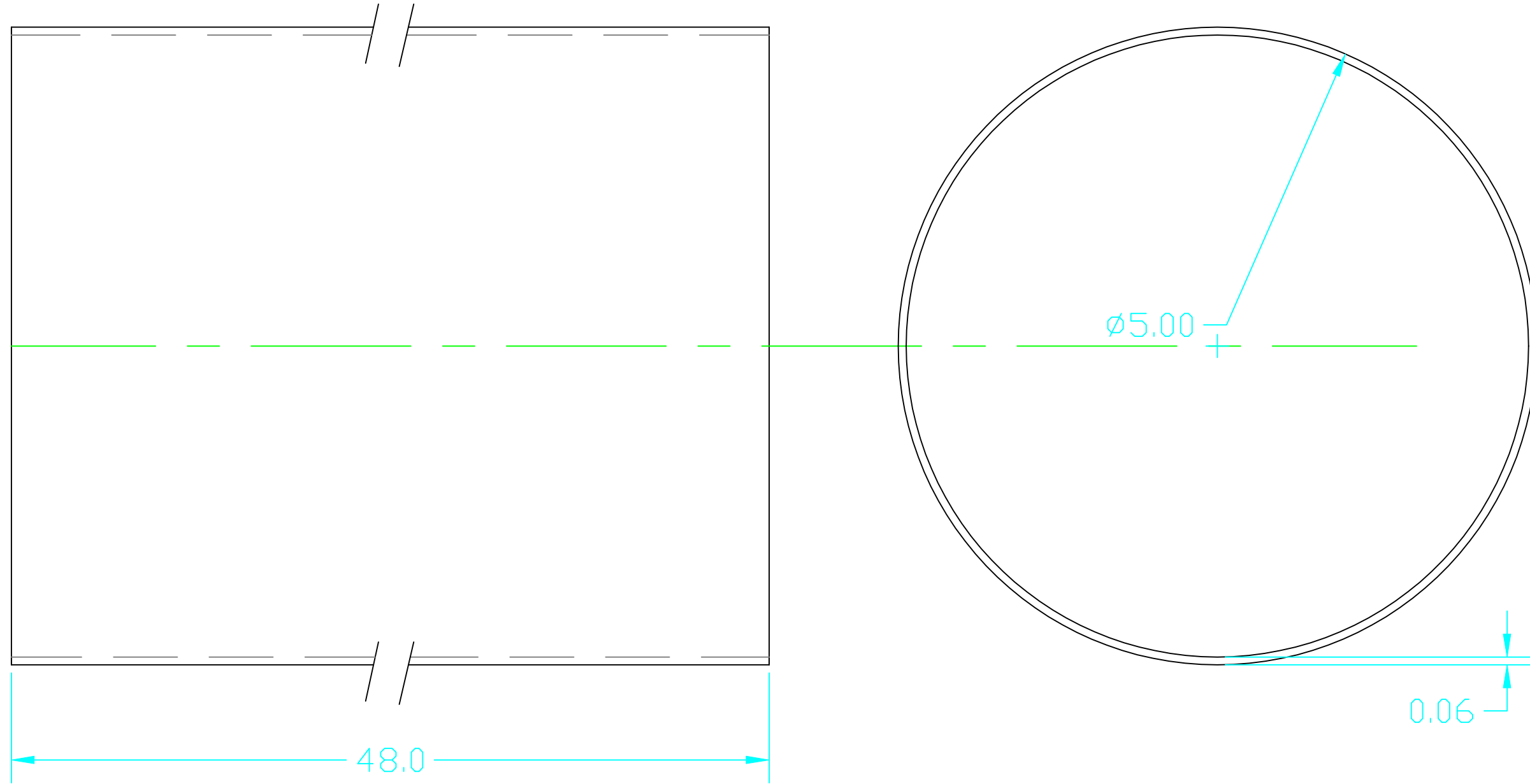


NOTES:

1. CLEAR ANODIZE PER MIL-A-8625



		UNLESS OTHERWISE SPECIFIED DIMENSIONS ARE IN INCHES															<b>MIT</b> CALIFORNIA INSTITUTE OF TECHNOLOGY MASSACHUSETTS INSTITUTE OF TECHNOLOGY				
		TOLERANCES:		FINISHED SURFACE RMS 63														BEAM TUBE SUPPORT STRUCTURE OPTICAL LEVER			
		FRACTIONAL ± 1/16(.16)		BREAK CORNERS IN: .02																	
		ANGULAR ± 1°		REMOVE ALL BURRS																	
		TWO PLACE DECIMAL ± .01(.025)																			
		THREE PLACE DECIMAL ± .005(.013)																			
		MATERIAL:	HEAT TREAT:	FINISH:																	
		6061-T6 ALUM.	-	SEE NOTES																	
		USED ON: D970190-00-D	NEXT ASS'Y: -																		
DWG. NO.	DESCRIPTION				REV	DESCRIPTION	DCC	SYS	DET	CDS	VE	CC	BT	CHECK	DRWN	DATE	CAD FILE	SCALE	SIZE	DWG. NO.	SHEET
	REFERENCE DRAWINGS																D970198-A.dwg	FULL	B	D970198-A-D	1 OF 1