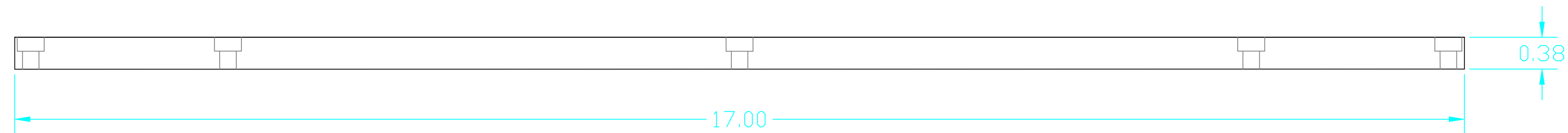
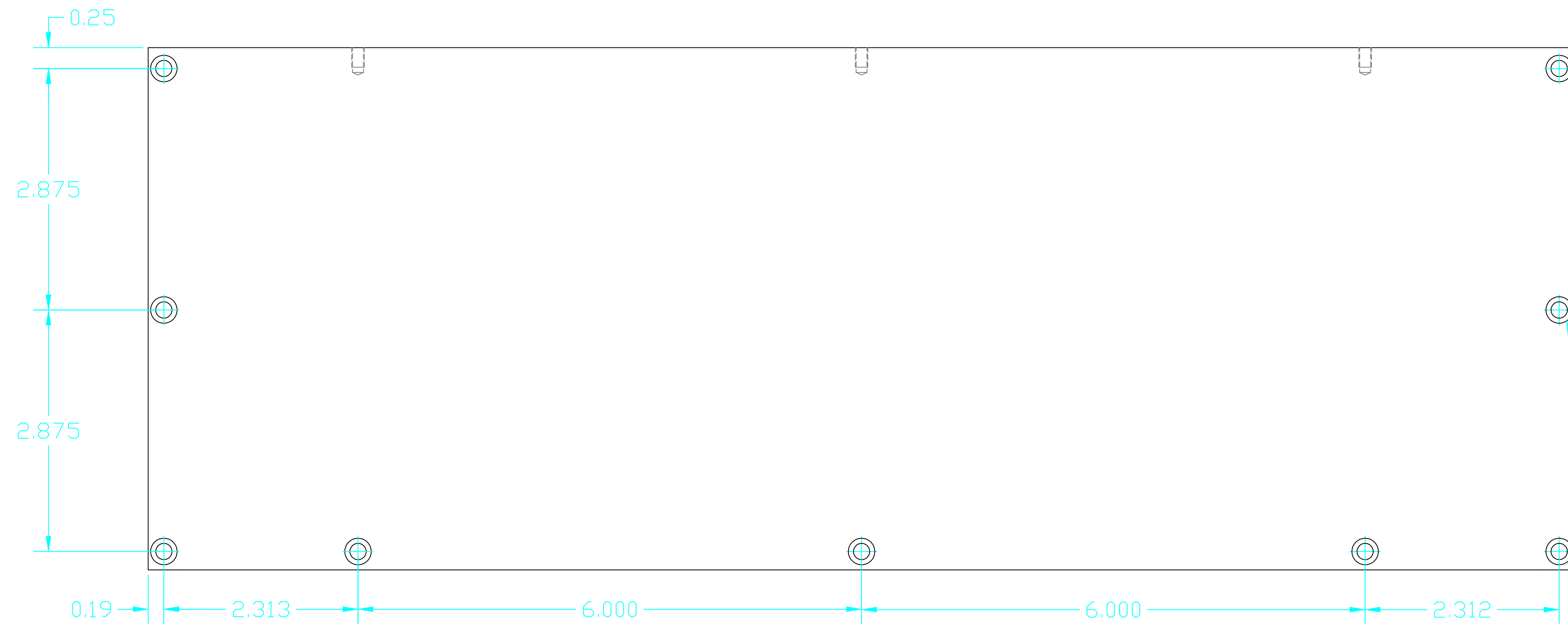
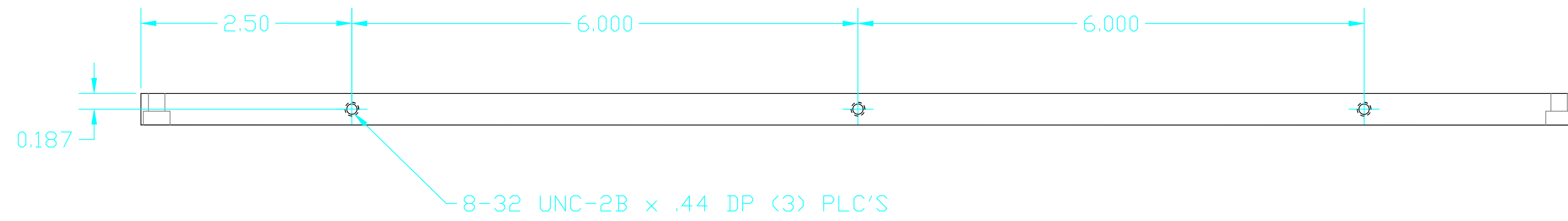


NOTES:



UNLESS OTHERWISE SPECIFIED
DIMENSIONS ARE IN INCHES

TOLERANCES:
FRACTIONAL ± 1/16(16)
ANGULAR ± 1°
TWO PLACE DECIMAL ± .01(.025)
THREE PLACE DECIMAL ± .005(.013)

FINISHED SURFACE RMS 63
BREAK CORNERS IN: .02 OUT: .02
REMOVE ALL BURRS

MATERIAL: 6061-T6 ALUM HEAT TREAT: - FINISH: NONE

USED ON: D970190-00-D NEXT ASS'Y: -

REV	DESCRIPTION	DCC	SYS	DET	CDS	VE	CC	BT	CHECK	DRWN	DATE
A	INITIAL RELEASE									MASON	5/98
00	PRE-RELEASE									MASON	6/97

LIGO
CALIFORNIA INSTITUTE OF TECHNOLOGY
MASSACHUSETTS INSTITUTE OF TECHNOLOGY

SIDE PLATE - REAR
SUPPORT STRUCTURE
OPTICAL LEVER

CAD FILE: D970201-A.dwg SIZE: D DWG. NO.: D970201-A-D
SCALE: FULL SHEET: 1 of 1

E
D
C
B
A

D
C
B
A

7 6 5 4 3 2 1