

6

5

4

3

2

1

NOTES:

D

C

B

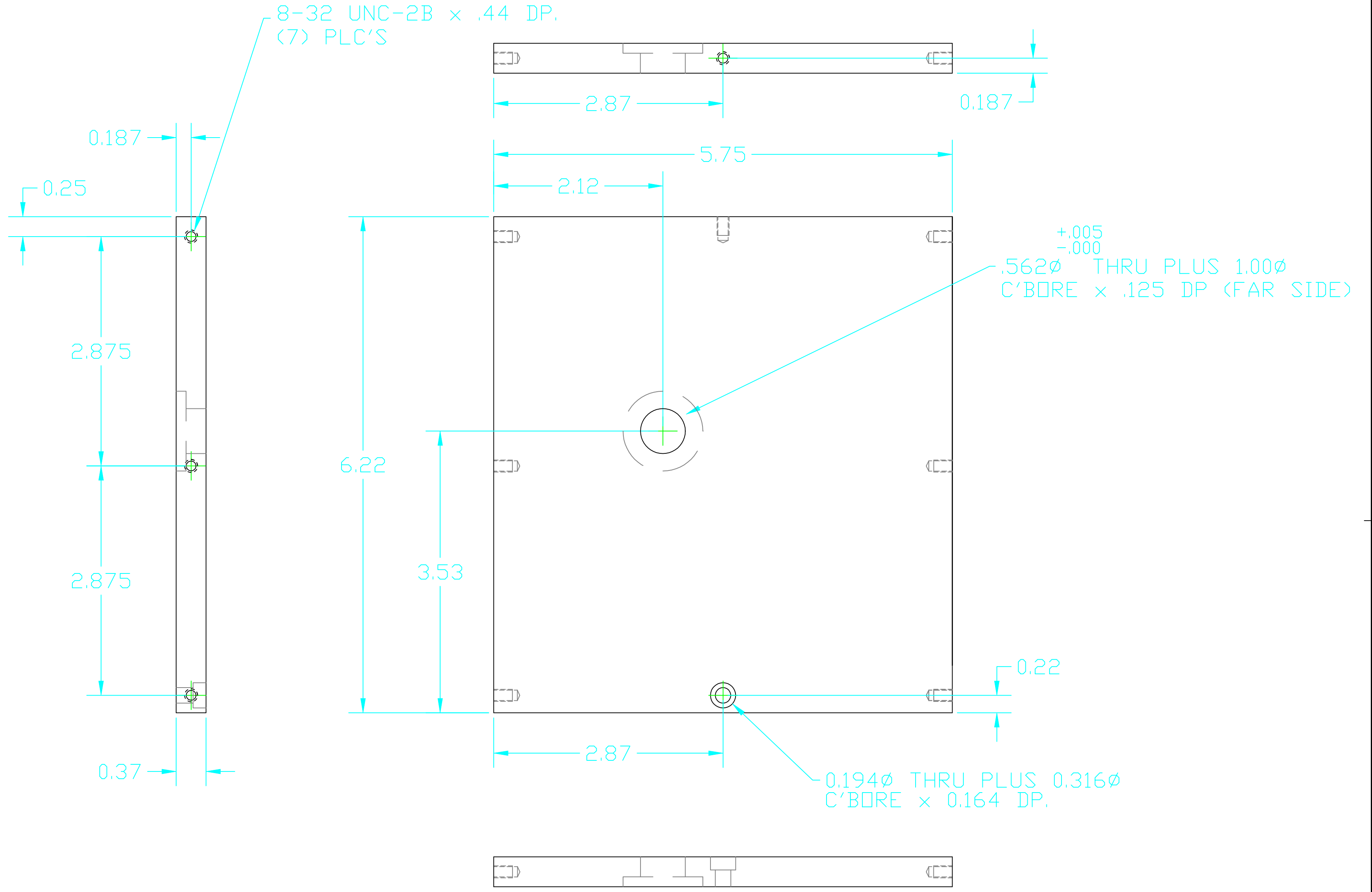
A

D

C

B

A



REF	QTY	PART or DRWG No.	CDS										MATERIAL	
PARTS and MATERIAL LIST														
CALIFORNIA INSTITUTE OF TECHNOLOGY MASSACHUSETTS INSTITUTE OF TECHNOLOGY SIDE PLATE - BOTTOM SUPPORT STRUCTURE OPTICAL LEVER														
A	00	INITIAL RELEASE											MASON	5/98
		PRE-RELEASE											MASON	6/97
REV		DESCRIPTION	DCC	SYS	DET	CDS	VE	CC	BT	CHECK	DRWN	DATE		
CAD FILE: D970209-A.dwg SIZE: C DWG. NO.: D970209-A-D SCALE: FULL SHEET: 1 of 1														

UNLESS OTHERWISE SPECIFIED
 DIMENSIONS ARE IN FEET (cm)

TOLERANCES:
 FRACTIONAL ±1/16(.16)
 ANGULAR ±1°
 TWO PLACE DECIMAL ±.01(.025)
 THREE PLACE DECIMAL ±.005(.013)

FINISHED SURFACE RMS 63
 BREAK CORNERS: .02
 REMOVE ALL BURRS

MATERIAL: 6061-T6 ALUM.
 HEAT TREAT: -
 FINISH: SEE NOTES

USED ON: D970190-00-D
 NEXT ASS'Y: -

6

5

4

3

2

1