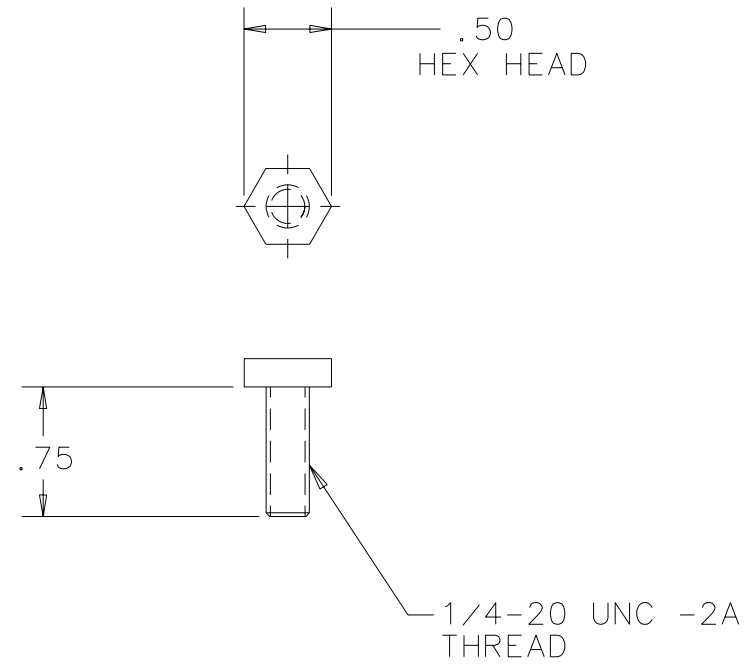


NOTES: (UNLESS OTHERWISE SPECIFIED)

1. FILLETS: R .015 MAX
2. BREAK ALL SHARP EDGES .01/.02 X 45°
3. MATERIAL: CONDUCTIVE TEFLON MANUF. BY FURON DIXON, 386 METACOM AVE., BRISTOL, RI, 02809, (401)253-2000, AND DESIGNATED BY THE NAME DIXON COMPOUND 1042.

REV	DATE	DRAWN BY	CHECKED	DCC	DCN/DESCRIPTION
A	7-28-97	J.Hazel			E970121/INITIAL RELEASE



UNLESS OTHERWISE SPECIFIED
DIMENSIONS ARE IN INCHES
TOLERANCES ARE:
.XX +/- .01
.XXX +/- .005
ANGLES +/- .25°

CALIFORNIA INSTITUTE OF TECHNOLOGY
MASSACHUSETTS INSTITUTE OF TECHNOLOGY

LIGO PROJECT

NEXT ASSY:
D960001

MATERIAL
NOTED

DRWN J. Hazel 7/97
CHK

SAFETY STOP,
CONDUCTIVE

FILE:
/home/dcc/docs/D970311.pdf

FINISH

SCALE:
1/1

DRAWING NUMBER
D970311-A-D

SHEET
1 OF 1