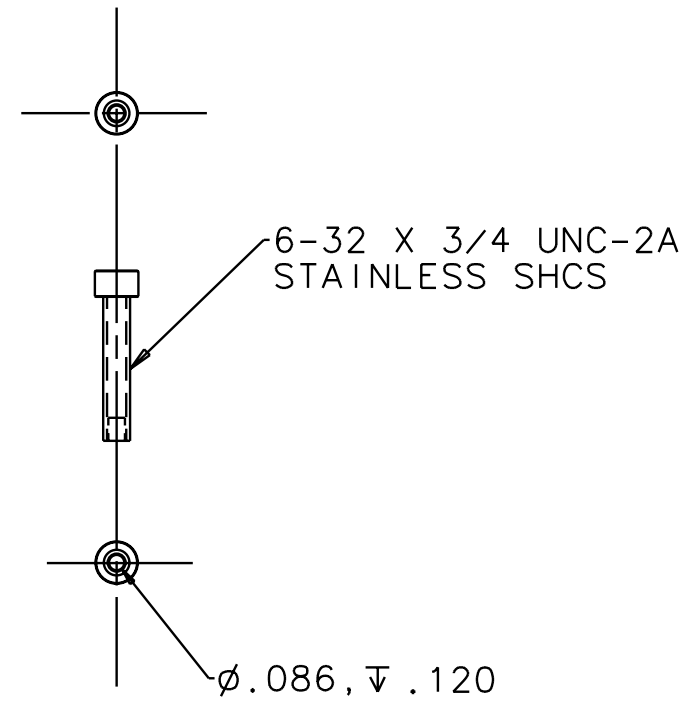


NOTES: (UNLESS OTHERWISE SPECIFIED)

1. FILLETS: R .015 MAX.
2. BREAK ALL SHARP EDGES: .01/.02 X 45° .
3. TOLERANCES: .XX=±.03
 .XXX=+.005
 ANGLES=±1°

REV	DATE	DRWN BY	CHECKED	DOC	DESCRIPTION
A	7-26-97	J.Hazel			E970121/INITIAL RELEASE
B	11-7-00	J.Romie			E980221/COMPLETE REDESIGN



	DRWN J. HAZEL	7/97	LIGO PROJECT		SAFETY STOP, CONDUCTIVE, SMALL		
	CHK						
	NEXT ASSY: D960001		CALIFORNIA INSTITUTE OF TECHNOLOGY MASSACHUSETTS INSTITUTE OF TECHNOLOGY		SCALE:	DRAWING NUMBER	SHEET
	FILE: /home/dcc/docs/D970312.pdf				2/1	D970312-B-D	1 of 1