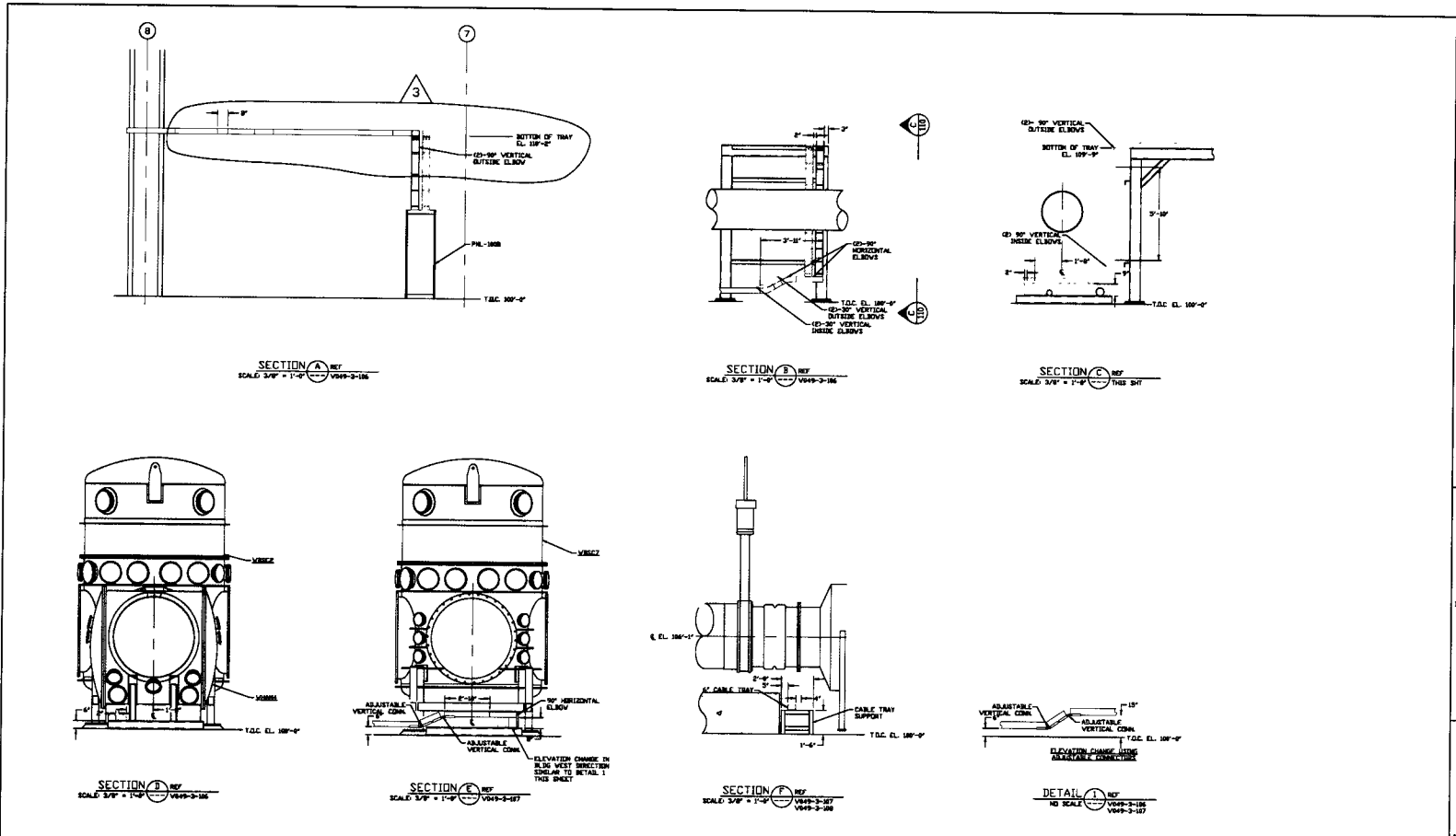


REVISIONS: V049-3-110 (REV. 02) V049-3-110 (REV. 01) V049-3-110 (REV. 00)



<p><b>IMPORTANT: AIR CONNECTIONS</b></p> <p>ALL AIR CONNECTIONS MUST BE MADE TO THE AIR SYSTEM THROUGH THE AIR SYSTEM. DO NOT MAKE AIR CONNECTIONS TO THE AIR SYSTEM THROUGH THE TRAY. ALL AIR CONNECTIONS TO THE TRAY MUST BE MADE THROUGH THE TRAY. ALL AIR CONNECTIONS TO THE TRAY MUST BE MADE THROUGH THE TRAY.</p>		<p><b>MATERIALS AND DIMENSIONS</b></p> <p>ALL DIMENSIONS UNLESS OTHERWISE SPECIFIED ARE IN INCHES.</p>		<p><b>REVISIONS</b></p> <table border="1"> <tr> <th>NO.</th> <th>DESCRIPTION</th> <th>DATE</th> <th>BY</th> <th>CHKD.</th> <th>APP'D.</th> </tr> <tr> <td>2</td> <td>ISSUE FOR AS BUILT</td> <td></td> <td></td> <td></td> <td></td> </tr> <tr> <td>1</td> <td>ISSUE FOR CONSTRUCTION</td> <td></td> <td></td> <td></td> <td></td> </tr> <tr> <td>0</td> <td>ISSUE FOR PERMITS &amp; BID</td> <td></td> <td></td> <td></td> <td></td> </tr> </table>		NO.	DESCRIPTION	DATE	BY	CHKD.	APP'D.	2	ISSUE FOR AS BUILT					1	ISSUE FOR CONSTRUCTION					0	ISSUE FOR PERMITS & BID					<p><b>PROCESS SYSTEMS INTERNATIONAL, INC.</b></p> <p>30 WILSON BLVD., WASHINGTON, MARYLAND 20007 USA</p>	
NO.	DESCRIPTION	DATE	BY	CHKD.	APP'D.																										
2	ISSUE FOR AS BUILT																														
1	ISSUE FOR CONSTRUCTION																														
0	ISSUE FOR PERMITS & BID																														
<p><b>DO NOT SCALE THIS DRAWING</b></p> <p>USCS ON</p>		<p><b>DO NOT SCALE THIS DRAWING</b></p> <p>USCS ON</p>		<p><b>DO NOT SCALE THIS DRAWING</b></p> <p>USCS ON</p>		<p><b>DO NOT SCALE THIS DRAWING</b></p> <p>USCS ON</p>																									
<p><b>REV</b></p> <p>DESCRIPTION</p>		<p><b>REV</b></p> <p>DESCRIPTION</p>		<p><b>REV</b></p> <p>DESCRIPTION</p>		<p><b>REV</b></p> <p>DESCRIPTION</p>																									
<p><b>ISSUE DESCRIPTION</b></p>		<p><b>ISSUE DESCRIPTION</b></p>		<p><b>ISSUE DESCRIPTION</b></p>		<p><b>ISSUE DESCRIPTION</b></p>																									
<p><b>SCALE</b></p> <p>AS NOTED</p>		<p><b>SCALE</b></p> <p>AS NOTED</p>		<p><b>SCALE</b></p> <p>AS NOTED</p>		<p><b>SCALE</b></p> <p>AS NOTED</p>																									
<p><b>DATE</b></p> <p>1 OF 1</p>		<p><b>DATE</b></p> <p>1 OF 1</p>		<p><b>DATE</b></p> <p>1 OF 1</p>		<p><b>DATE</b></p> <p>1 OF 1</p>																									