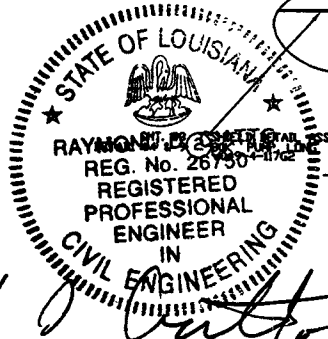


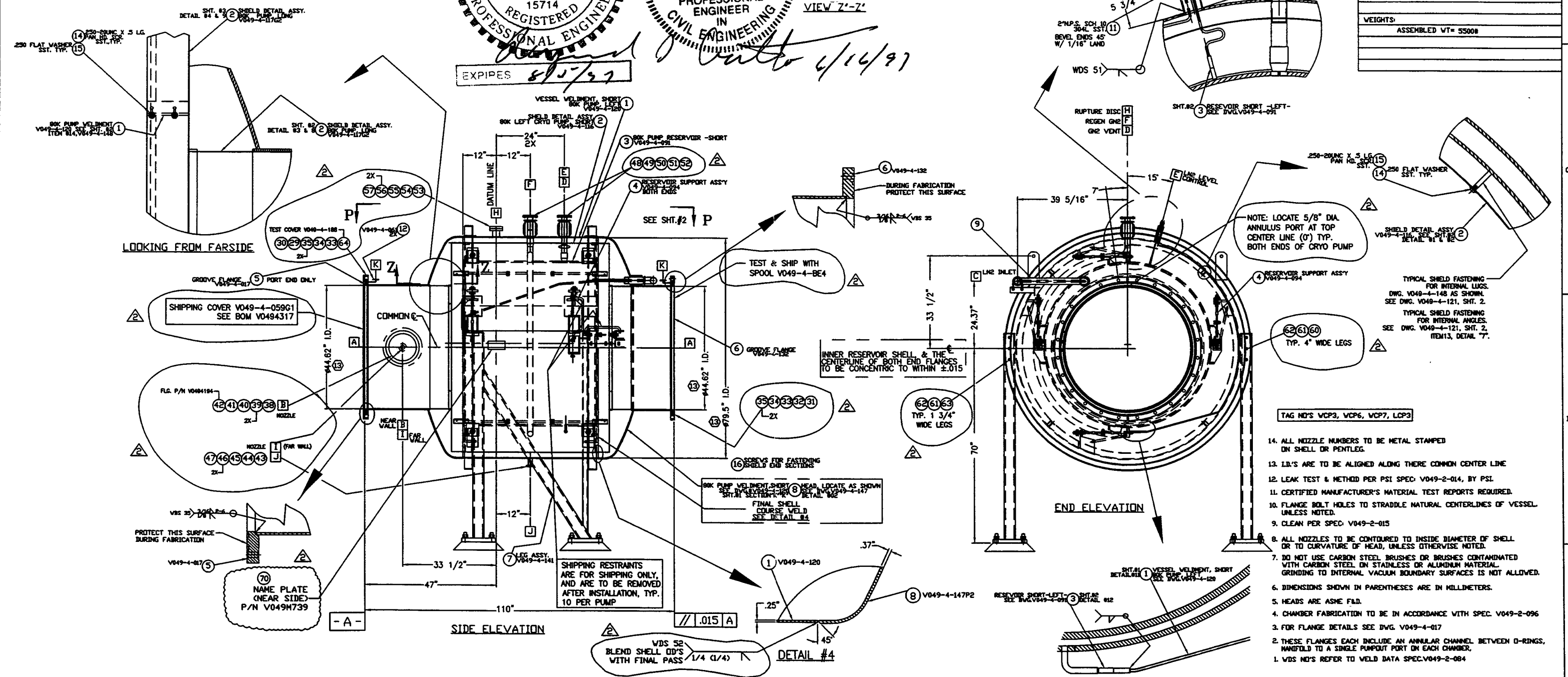
NOZZLE SCHEDULE				DESCRIPTION				
MARK	QTY	SIZE	TYPE	MARK	QTY.	SIZE	TYPE	DESCRIPTION
A	2	44.63" I.D.	SEE NOTE #1 & #2	L1	1	1/4"	FPT	LN ₂ LEVEL CONTROL
B	1	10" OD TUBE	12" OD. CONFLAT W/BLIND FLANGE	L2	1	1/4"	FPT	LN ₂ LEVEL CONTROL
C	1	1/2" X 2"	VAC. JACKET W/ BAYONET BLIND					
D	1	1 1/2" X 2"	1 1/2" ASA FLG. 5" OD.					
E	1	2" O.D. PIPE	PANT LEG					
F	1	1 1/2" PIPE	1 1/2" ASA FLG. 5" OD.					
I	1	1 1/2" OD. TUBE	2 3/4" OD. CONFLAT W/BLIND FLANGE					
J	1	1 1/2" OD. TUBE	2 3/4" OD. CONFLAT W/BLIND FLANGE					
H	1	2 1/2" OD. TUBE	4 1/2" OD. CONFLAT W/BLIND FLANGE					
K	2	3/4" OD TUBE	2 3/4" OD CONFLAT					

MARK	QTY.	SIZE	TYPE	DESCRIPTION
L1	1	1/4"	FPT	LN ₂ LEVEL CONTROL
L2	1	1/4"	FPT	LN ₂ LEVEL CONTROL

DESIGN DATA	
CORROSION ALLOWANCE:	0
POSTWELD HEAT TREATMENT:	MBS
FIREPROOFING:	N/A
RADIOPHOTOGRAPHING:	NONE
MATERIALS	
HEADS:	SA 240-304L
SHELL:	SA 240-304, 304L
FLANGES:	SA 182 GRADE F, 304L
PIPE NECKS:	SA 312-304L SA 240-304L
REINFORCING:	SA 240-304L
BOLTS & NUTS:	SA 193-87
WEIGHTS:	
ASSEMBLED WT:	5500#



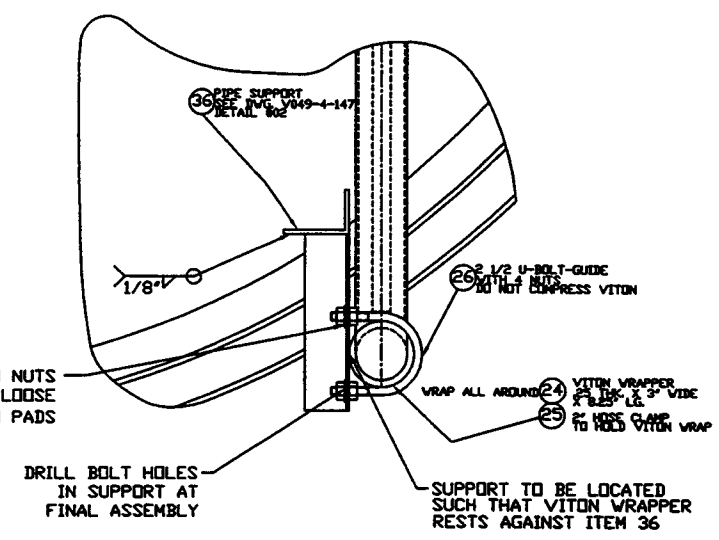
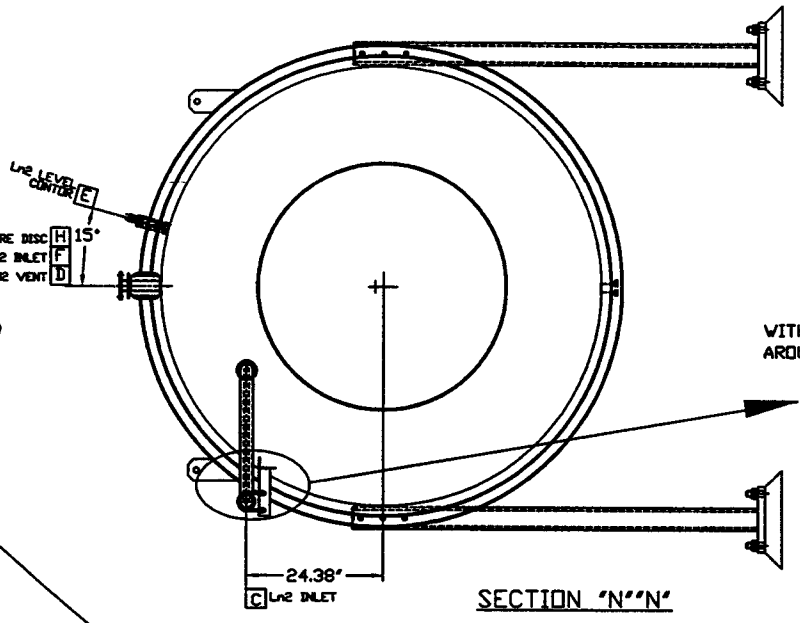
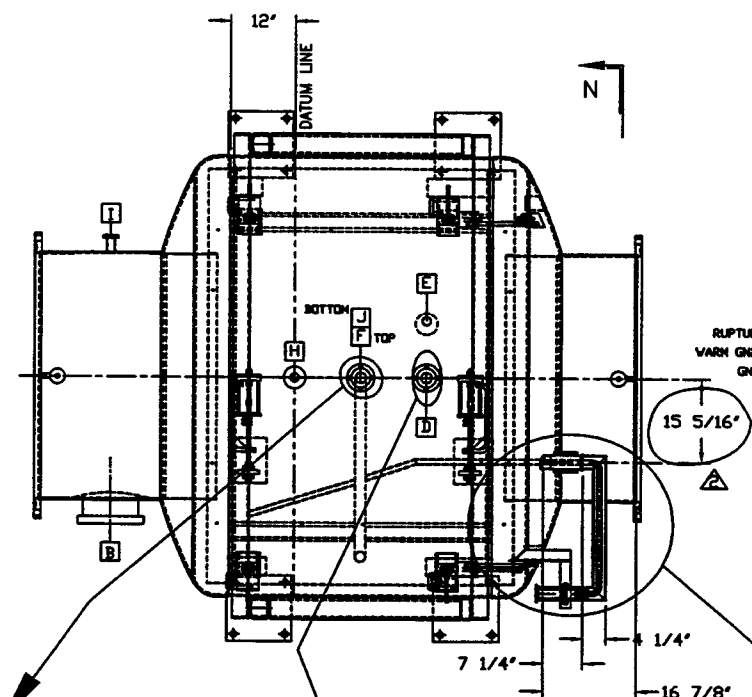
Raymond D. Gatto
4/14/97



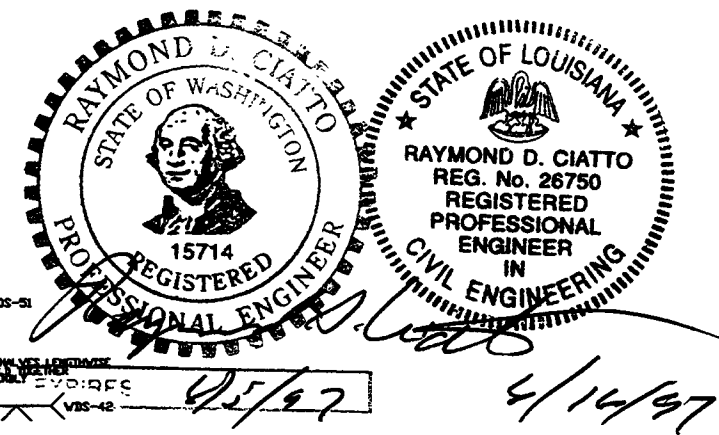
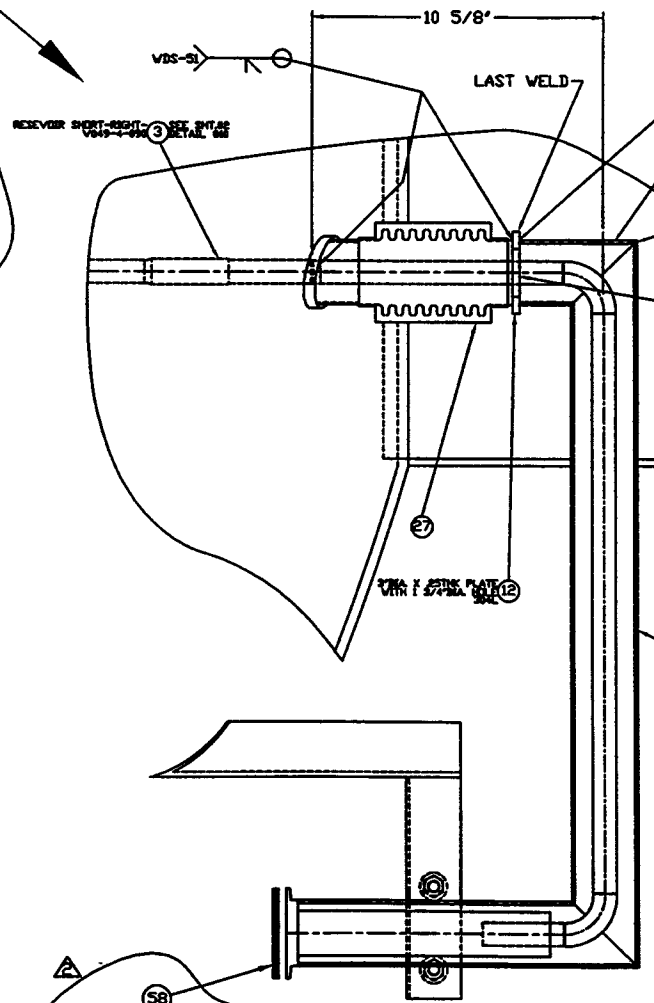
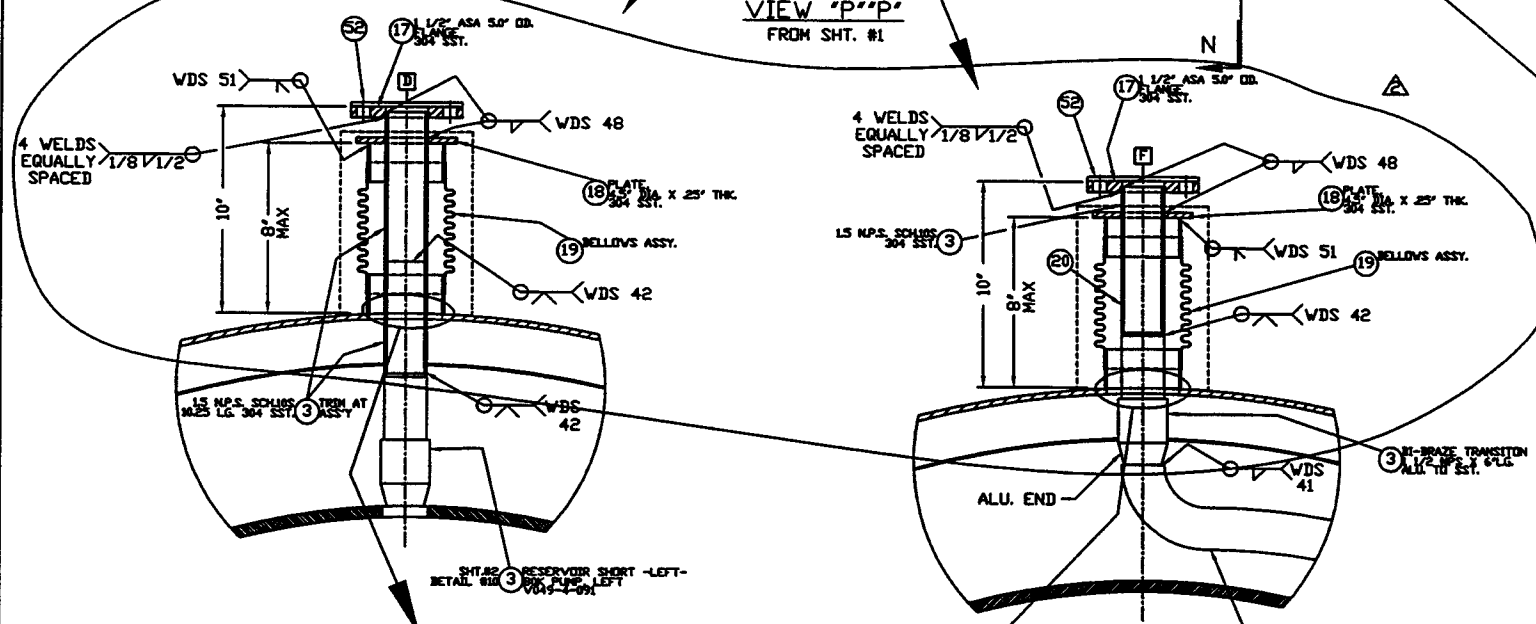
PROPRIETARY AND CONFIDENTIAL	NO.	DESCRIPTION	DATE	BY	CHKD	DRWN	DATE	DESB
THIS DOCUMENT CONTAINS PROPRIETARY INFORMATION BELONGING TO PROCESS SYSTEMS INTERNATIONAL, INC. OR ITS AFFILIATED COMPANIES AND SHALL BE USED ONLY FOR THE PURPOSE FOR WHICH IT WAS SUPPLIED. IT SHALL NOT BE COPIED, REPRODUCED OR OTHERWISE USED, FOR SMALL, SUCH INFORMATION BE FURNISHED IN WHOLE OR IN PART TO OTHERS EXCEPT IN ACCORDANCE WITH THE TERMS OF ANY AGREEMENT UNDER WHICH IT WAS SUPPLIED OR WITH THE PRIOR WRITTEN CONSENT OF PROCESS SYSTEMS INTERNATIONAL, INC. AND SHALL BE RETURNED UPON REQUEST.	V049-0-100	DRAWING TREE/BOM STRUCTURE						
	V049-4-141	SUPPORT LEG ASSY.						
	V049-4-117 G2	SHIELD ASSY.						
	V049-4-094	RESERVOIR SUPPORTS						
	V049-4-120	VESSEL WELDMENT						
V049-4-091	80K PUMP RESERVOIR							

PROCESS SYSTEMS INTERNATIONAL, INC.	
20 WALKUP DR. WESTBOROUGH, MASSACHUSETTS 01581 USA	
80K PUMP GENERAL ARR'G-SHORT-LEFT	
LIGO VACUUM EQUIPMENT	
CAP FILE	494007SI
SIZE	D
REV. NO.	V049-4-007
REV.	2
SCALE	NONE
SHEET	1 OF 2

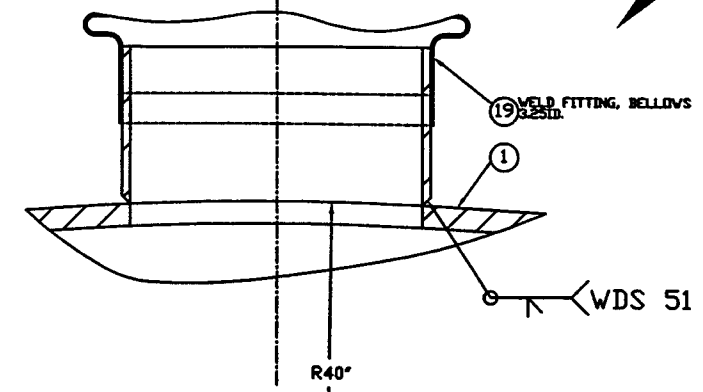
LIGO-D970350-02-V



VIEW "P-P" FROM SHT. #1



NOTE: CUT BACK EXCESS PIPE POSITION BELLOWS SO THAT PIPE EXTENDS FROM END PLATE TO ALLOW FOR WELDING ELBOW.



SEE SHEET 1 FOR REVISIONS

PROCESS SYSTEMS INTERNATIONAL INC. 20 WILKUP DR. WESTBOROUGH, MASSACHUSETTS 01581 USA			
80K PUMP GENERAL ARR'G-SHORT-LEFT			
LIGO VACUUM EQUIPMENT			
CAD FILE 494007S2	SIZE D	DWG. NO. V049-4-007	REV. 2
SCALE NONE	SHEET 2 OF 2		