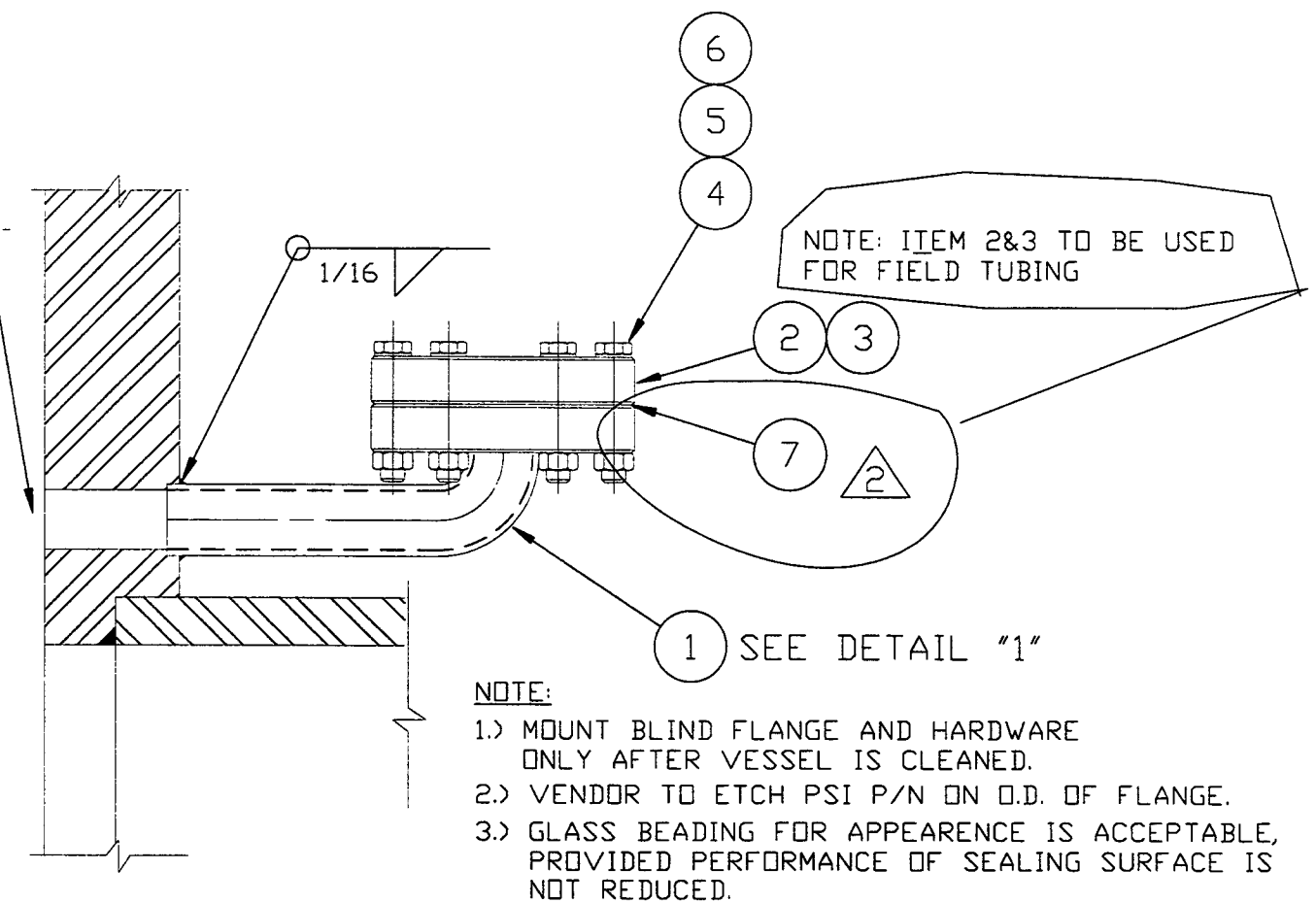


DETAIL '1'
ITEM 1
PSI P/N V0494061P1



△2

ITEM	PART NUMBER	QTY	U/M	DESCRIPTION
7	203462	1	EA	GASKET,CU, SOLID DISK FOR 2 3/4" O.D. CF.
6	V049M781	6	EA	NUT, HEX, 1/4-28, SST
5	V049M784	6	EA	WASHER, FLAT, 1/4", SST
4	V049M775	6	EA	BOLT, 1/4-28 X 2" LG., SST
3	V049M751 3	1	EA	GASKET, COPPER, DFHC, 2 3/4" CONFLAT
2	V049M301 3	1	EA	FLANGE, CONFLAT, 2 3/4" BLANK
1	V0494061P1	1	EA	3/4 OD ELBOW X 2 3/4 OD CF FLANGE

BILL OF MATERIALS

PROPRIETARY AND CONFIDENTIAL
THIS DOCUMENT CONTAINS PROPRIETARY INFORMATION BELONGING TO PROCESS SYSTEMS INTERNATIONAL, INC. OR ITS AFFILIATED COMPANIES AND SHALL BE USED ONLY FOR THE PURPOSE FOR WHICH IT WAS SUPPLIED. IT SHALL NOT BE COPIED, REPRODUCED OR OTHERWISE USED, NOR SHALL SUCH INFORMATION BE FURNISHED IN WHOLE OR IN PART TO OTHERS EXCEPT IN ACCORDANCE WITH THE TERMS OF ANY AGREEMENT UNDER WHICH IT WAS SUPPLIED OR WITH THE PRIOR WRITTEN CONSENT OF PROCESS SYSTEMS INTERNATIONAL, INC AND SHALL BE RETURNED UPON REQUEST.

UNLESS OTHERWISE SPECIFIED DIMENSIONS ARE IN INCHES
TOLERANCES:
FRACTIONAL ±
ANGULAR MACH ±0°-30' BEND ±2°
TWO PLACE DECIMAL ±.010
THREE PLACE DECIMAL ±.005
FINISHED SURFACE RMS
BREAK CORNERS: IN OUT
REMOVE ALL BURRS

DO NOT SCALE THIS DWG
USED ON:
NEXT ASS'Y:

REV	DESCRIPTION	CHKD	DRWN	DATE	DED#
2	ADDED ITEM 7				
1	REISSUED FOR FABRICATION				
0	ISSUED FOR FABRICATION				

PROCESS SYSTEMS INTERNATIONAL INC.
20 WALKUP DR. WESTBOROUGH, MASSACHUSETTS 01581 USA

3/4" OD ELBOW X 2 3/4" CF FLANGE
ANNULUS PUMP OUT PORT
LIGO VACUUM EQUIPMENT

CAD FILE: V0494061
SIZE: B
DVG NO.: V049-4-061
REV: 2

SCALE: 1/2
SHEET: 1

Feb 18, 1997 - 18:14:00