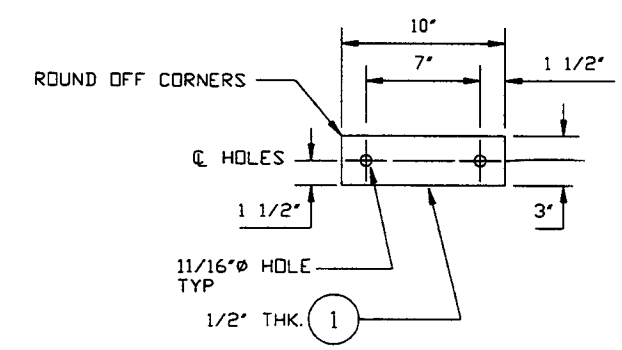
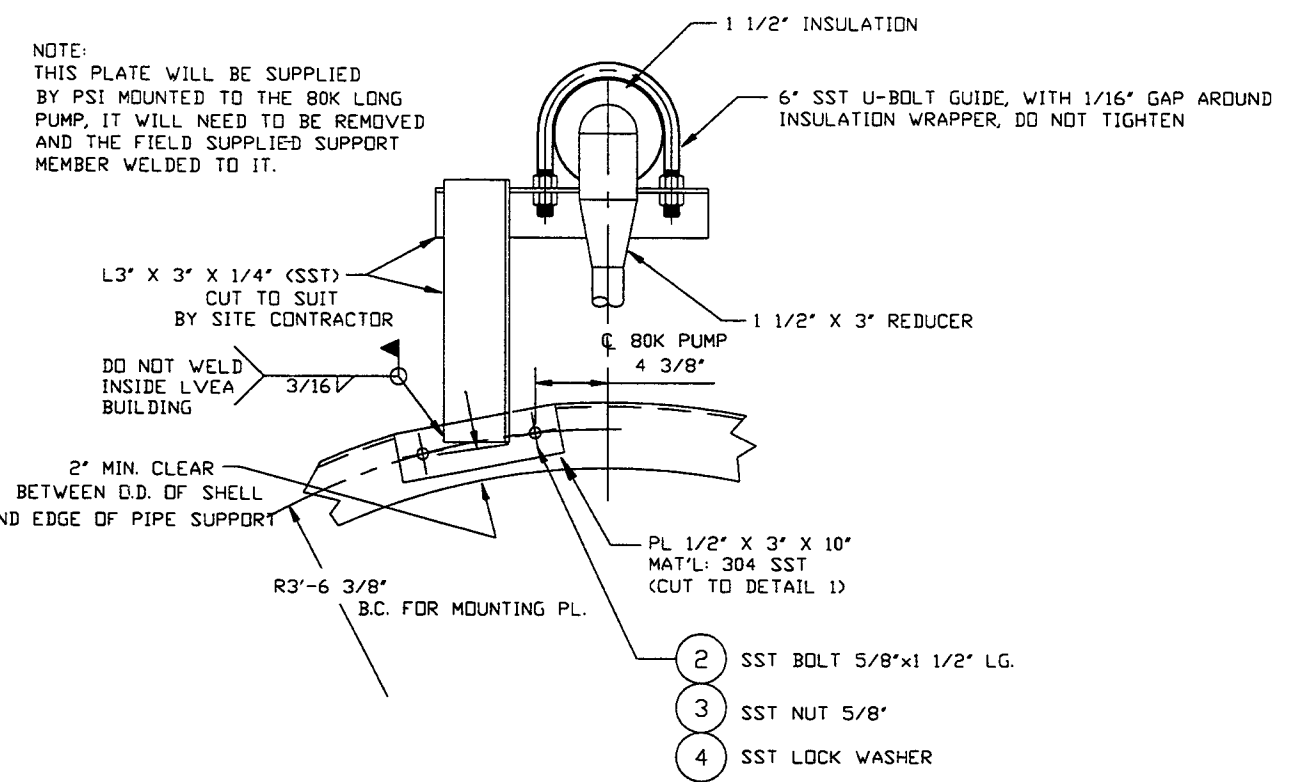


SIDE ELEVATION



PS-5 PLATE
DETAIL "1"
P/N V0494076P1
MAT'L: 304 SST



ELEV. LOOKING TOWARD VERTEX

PROPRIETARY AND CONFIDENTIAL THIS DOCUMENT CONTAINS PROPRIETARY INFORMATION BELONGING TO PROCESS SYSTEMS INTERNATIONAL, INC. OR ITS AFFILIATED COMPANIES AND SHALL BE USED ONLY FOR THE PURPOSE FOR WHICH IT WAS SUPPLIED. IT SHALL NOT BE COPIED, REPRODUCED OR OTHERWISE USED, NOR SHALL SUCH INFORMATION BE FURNISHED IN WHOLE OR IN PART TO OTHERS EXCEPT IN ACCORDANCE WITH THE TERMS OF ANY AGREEMENT UNDER WHICH IT WAS SUPPLIED OR WITH THE PRIOR WRITTEN CONSENT OF PROCESS SYSTEMS INTERNATIONAL, INC. AND SHALL BE RETURNED UPON REQUEST.		UNLESS OTHERWISE SPECIFIED DIMENSIONS ARE IN INCHES TOLERANCES: FRACTIONAL ± ANGULAR ±0°-30' BEND ±2° TWO PLACE DECIMAL ± .010 THREE PLACE DECIMAL ± .005 FINISHED SURFACE ±0.5 BREAK CORNERS IN OUT REMOVE ALL BURRS		DO NOT SCALE THIS DWG. 0 RELEASED FOR FABRICATION <i>RDL GS RP D. M. KEL</i>		PV 4/18/97 0471			
DWG. NO.	DESCRIPTION	USED ON	REV.	DESCRIPTION	ENG	CHKD	DRAWN	DATE	DEO
V049-2-021									
V049-4-006	80K PUMP GA								
V049-4-004	80K PUMP GA LONG LEFT								
REFERENCE DRAWINGS		NEXT ASS'Y.	ISSUE DESCRIPTION						

PROCESS SYSTEMS INTERNATIONAL, INC.
 20 WALKUP DR. WESTBOROUGH, MASSACHUSETTS 01581 USA
PS-5 PIPE SUPPORT DETAIL
80K LG CRYOPUMP CORNER STAT
LIGO VACUUM EQUIPMENT
 CAD FILE: V0494076 SIZE: C DWG NO: V049-4-076 REV: 0
 SCALE: 1/8 SHEET: 1 OF 1

D
C
B
Apr 22, 1997 - 16:29:15