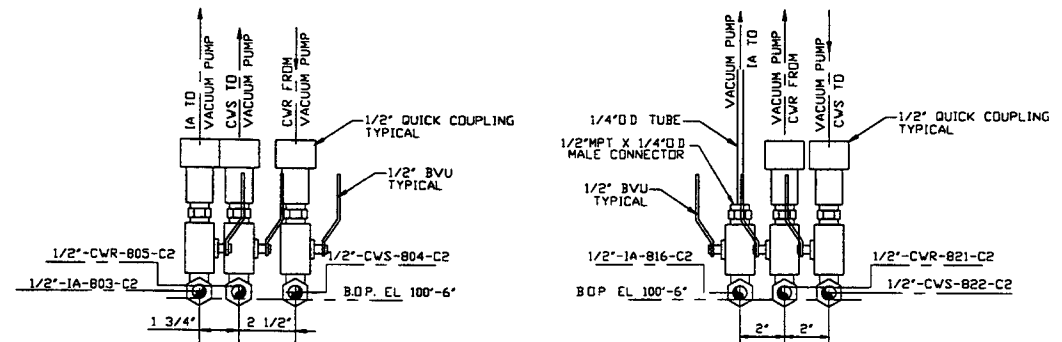
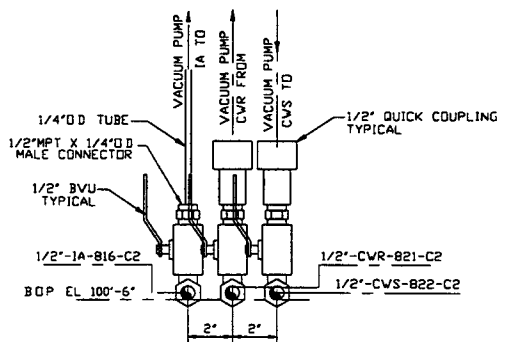


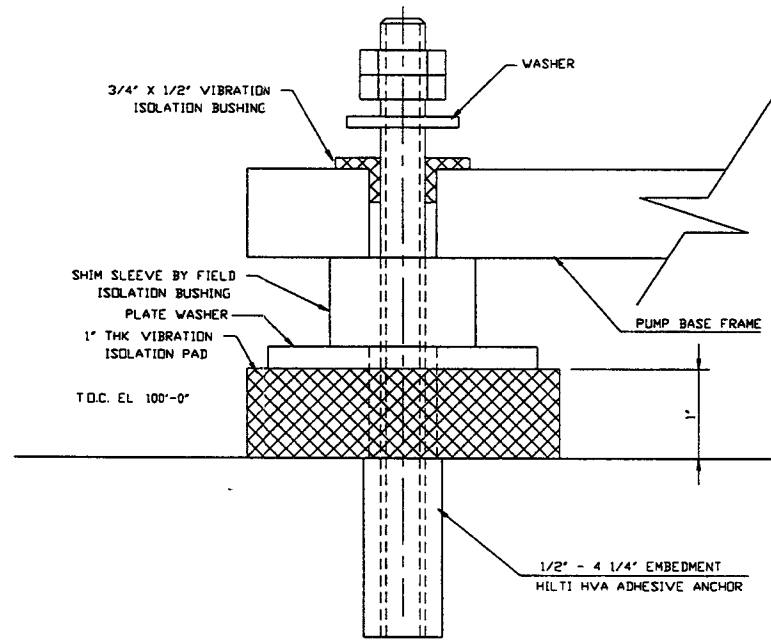
SECTION A
SCALE 3/4"=1'-0" V049-5-043, SHT1



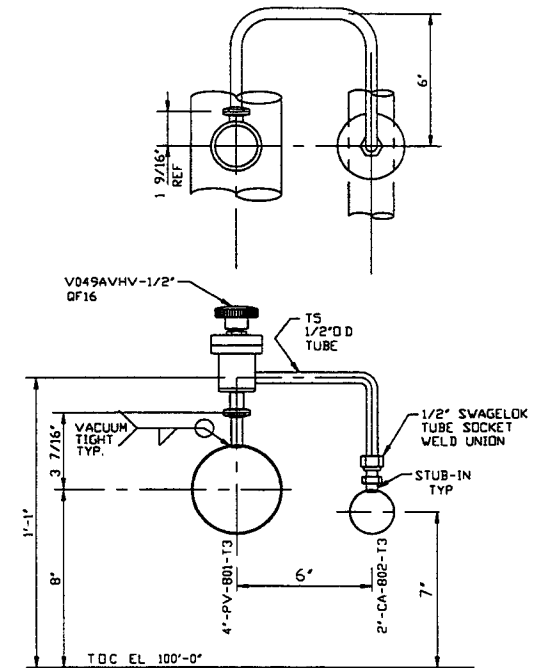
DETAIL 1
SCALE 3"=1'-0" V049-5-043, SHT1



DETAIL 4
SCALE 3"=1'-0" V049-5-043, SHT1



DETAIL 2
SCALE: FULL V049-5-043, SHT1



DETAIL 3
SCALE: 3"=1'-0" V049-5-043, SHT1

PROPERTY AND CONFIDENTIAL		REFERENCE DRAWINGS	
THIS DOCUMENT CONTAINS PROPRIETARY INFORMATION BELONGING TO PROCESS SYSTEMS INTERNATIONAL, INC. OR ITS AFFILIATED COMPANIES AND SHALL BE USED ONLY FOR THE PURPOSE FOR WHICH IT WAS SUPPLIED. IT SHALL NOT BE COPIED, REPRODUCED OR OTHERWISE USED, NOR SHALL SUCH INFORMATION BE FURNISHED IN WHOLE OR IN PART TO OTHERS EXCEPT IN ACCORDANCE WITH THE TERMS OF ANY AGREEMENT UNDER WHICH IT WAS SUPPLIED OR WITH THE PRIOR WRITTEN CONSENT OF PROCESS SYSTEMS INTERNATIONAL, INC. AND SHALL BE RETURNED UPON REQUEST.			
DWG NO.	DESCRIPTION	DWG NO.	DESCRIPTION
V049-5-043	PIPING ARRANGEMENT PLAN RIGHT END STATION	V049-5-008	EQUIPMENT ARRANGEMENT RIGHT END STATION
1101102	LIGO VACUUM EQUIPMENT END STATION		

UNLESS OTHERWISE SPECIFIED		ISSUED FOR FDR	
DIMENSIONS ARE IN INCHES			
TOLERANCES:			
FRACTIONAL ±			
ANGULAR/ROUND ±			
TWO PLACE DECIMAL ±			
THREE PLACE DECIMAL ±			
FINISHED SURFACE RNS			
BREAK CORNERS IN			
REMOVE ALL BURRS			
DO NOT SCALE THIS DRAWING	0	ISSUED FOR FDR	
USED ON	REV	DESCRIPTION	
NEXT ASS'Y			

PROCESS SYSTEMS INTERNATIONAL, INC.			
20 WALKUP DR. WESTBOROUGH, MASSACHUSETTS 01581 USA			
PIPING ARRANGEMENT, SECTIONS			
RIGHT END STATION			
LOUISIANA SITE			
LIGO VACUUM EQUIPMENT			
CAD FILE	SIZE	DWG NO.	REV
V0495045	D	V049-5-045	0
SCALE	AS NOTED	SHEET	1 OF 1

LIGO-D970396-00-V