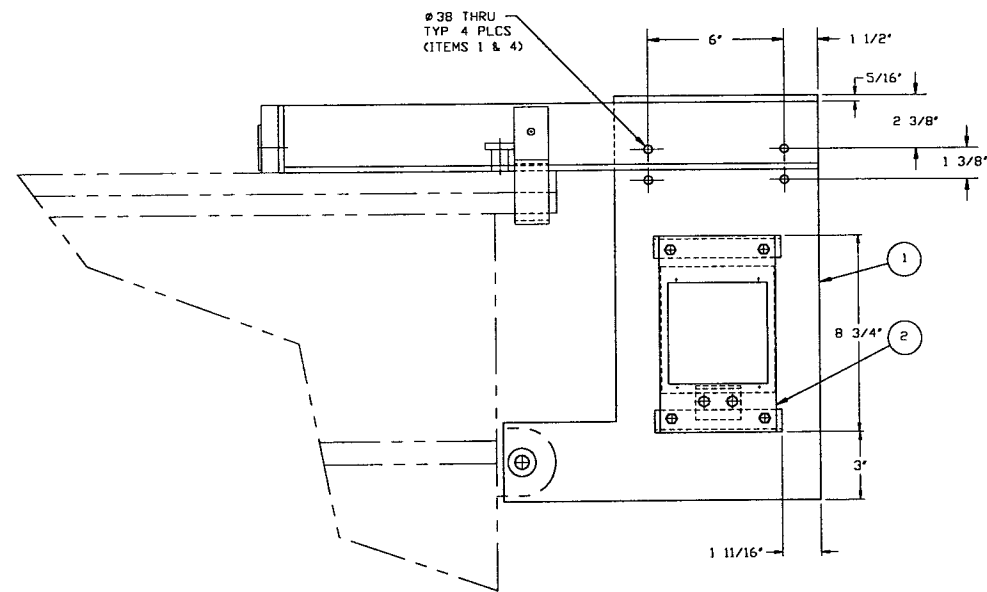
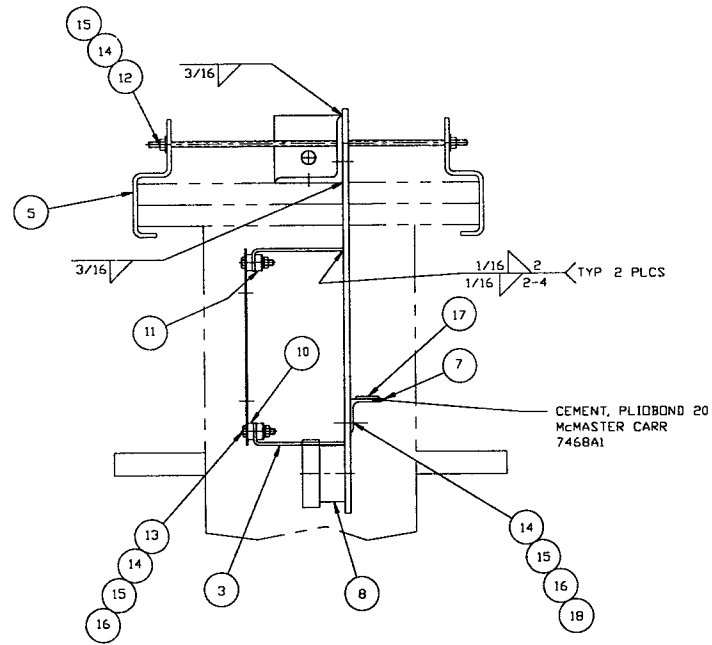


PLAN



ELEVATION



SIDE VIEW

D970414-01-V

PROPERTY AND CONFIDENTIAL  
 THIS DRAWING CONTAINS PROPRIETARY INFORMATION BELONGING TO PROCESS SYSTEMS INTERNATIONAL, INC. OR ITS AFFILIATED COMPANIES AND SHALL BE USED ONLY FOR THE PURPOSE FOR WHICH IT WAS SUPPLIED. IT SHALL NOT BE COPIED, REPRODUCED OR OTHERWISE USED, NOR SHALL SUCH INFORMATION BE FURNISHED IN WHOLE OR IN PART TO OTHERS EXCEPT IN ACCORDANCE WITH THE TERMS OF ANY AGREEMENT UNDER WHICH IT WAS SUPPLIED OR WITH THE PRIOR WRITTEN CONSENT OF PROCESS SYSTEMS INTERNATIONAL, INC. AND SHALL BE RETURNED UPON REQUEST.

DWG NO	DESCRIPTION	DWG NO	DESCRIPTION

UNLESS OTHERWISE SPECIFIED DIMENSIONS ARE IN INCHES  
 TOLERANCES:  
 FRACTIONAL ±  
 ANGULAR/HATCH ±10°-30° BEND ±2°  
 TWO PLACE DECIMAL ± 0.1  
 THREE PLACE DECIMAL ± 0.05  
 FINISHED SURFACE RMS  
 BREAK CORNERS IN  
 REMOVE ALL BURRS

DO NOT SCALE THIS DRAWING  
 USED ON:  
 NEXT ASSY:

REV	DESCRIPTION	CHKD	DRWN	DATE	DEO#
1	REISSUED FOR FABRICATION			1/28/97	0422
0	ISSUED FOR FABRICATION			11/22/96	0358

PROCESS SYSTEMS INTERNATIONAL, INC.  
 20 WALKUP DR WESTBOROUGH, MASSACHUSETTS 01581 USA

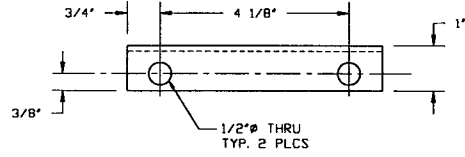
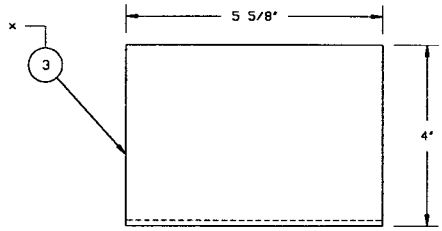
25 ION PUMP VALVE SUPPORT  
 LIGO VACUUM EQUIPMENT

CAD FILE: 4107SI | SIZE: D | DWG NO: V049-4-107 | REV: 1

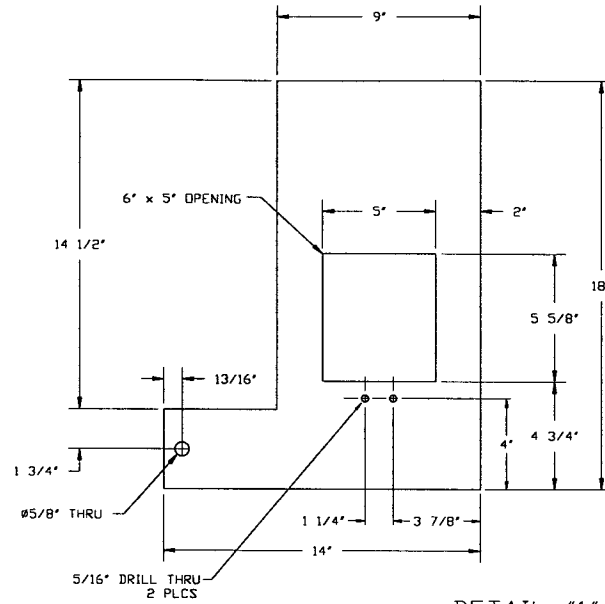
SCALE: 3"=1'-0" | SHEET: 1 OF 2

JUN 28 1997 09:04:35

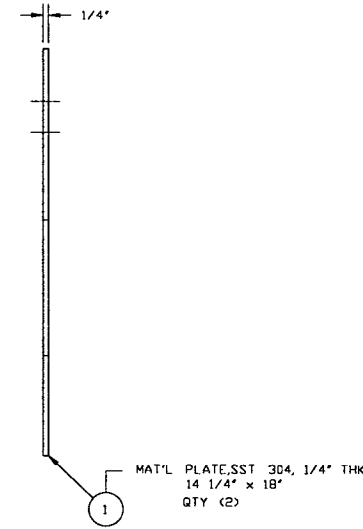
MAT'L SHEET, SST. 304, 1/8" THK x  
12" x 5 5/8"  
QTY 2



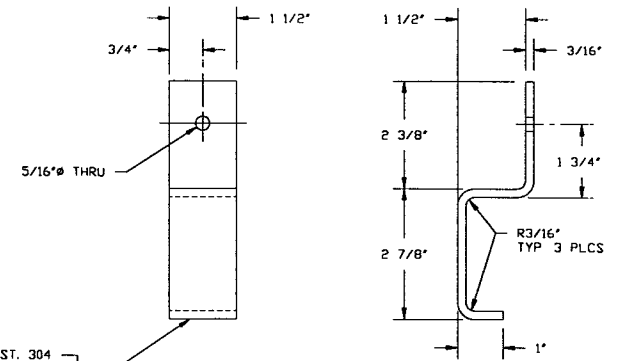
**DETAIL "3"**  
V0494107P3  
SCALE HALF



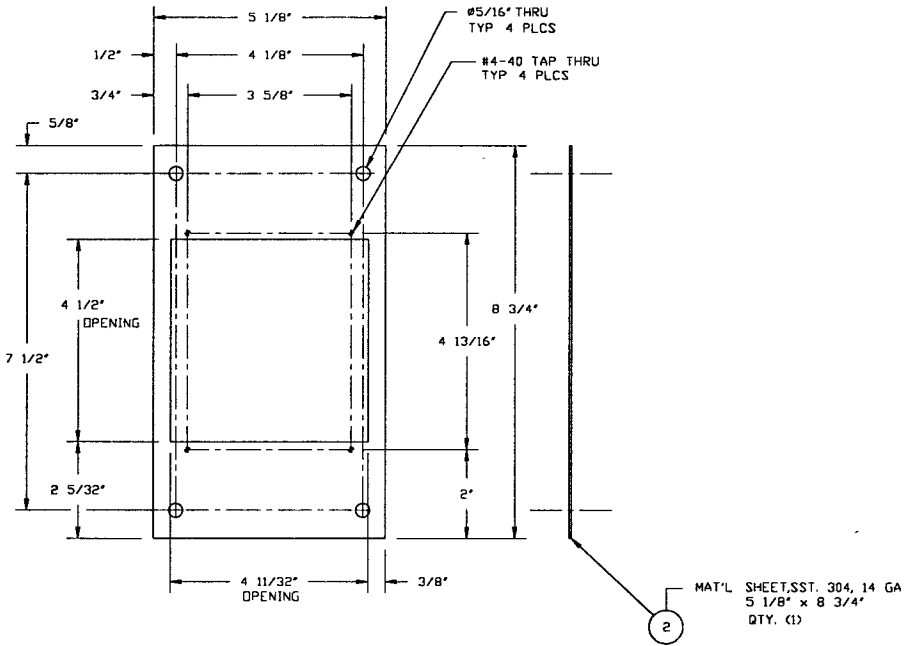
**DETAIL "1"**  
V0494107P1  
SCALE: 3"=1'-0"



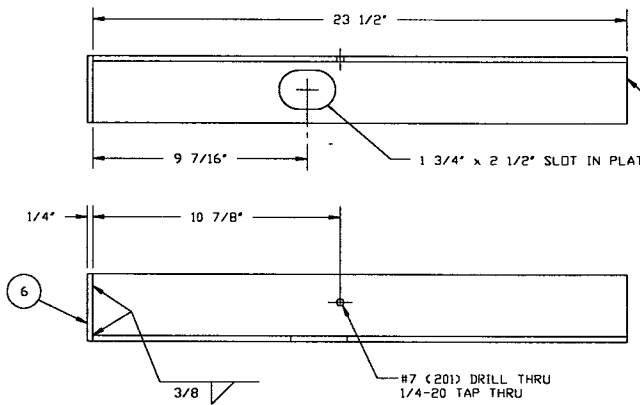
MAT'L BAR, SST. 304  
3/16"x1 1/2"x7 1/8" LG  
QTY. (2)



**DETAIL "5"**  
V0494107P5  
SCALE HALF

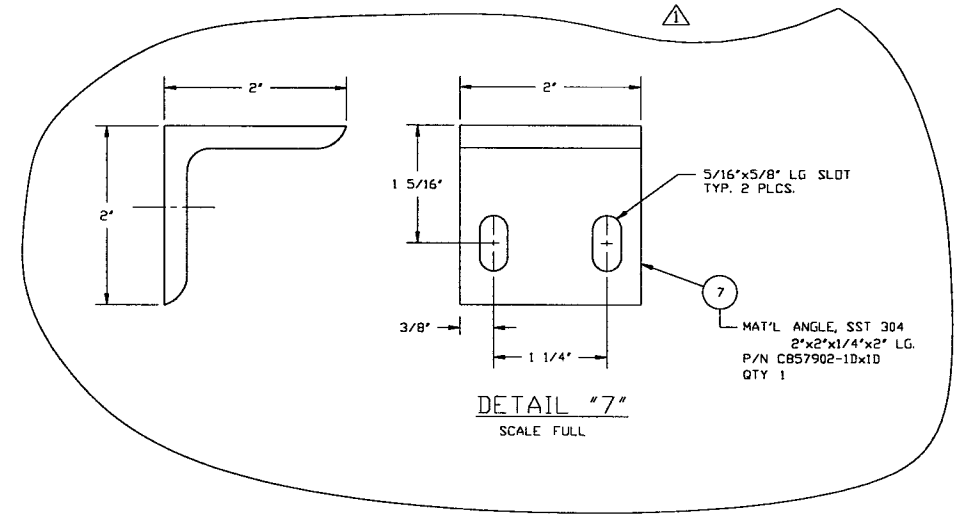
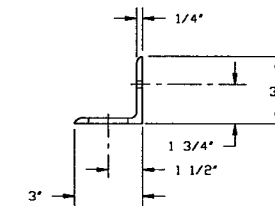


**DETAIL "2"**  
V0494107P2  
SCALE HALF



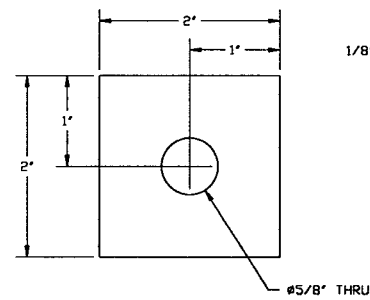
**DETAIL "4"**  
SCALE 3"=1'-0"

MAT'L ANGLE, SST 304, 1/4" THK  
3"x3"x23 1/2" LG  
P/N C857904-03x03  
QTY (1)



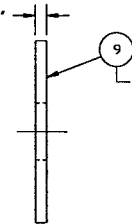
**DETAIL "7"**  
SCALE FULL

MAT'L ANGLE, SST 304  
2"x2"x1/4"x2" LG.  
P/N C857902-1Dx1D  
QTY 1

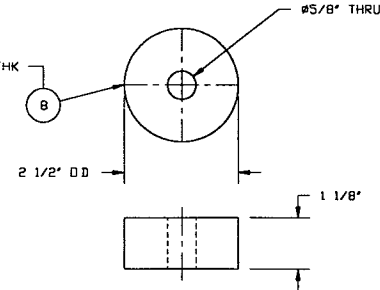


**DETAIL "9"**  
SCALE FULL

MAT'L FLAT BAR, SST 304, 1/8"x2"  
P/N C387902-02  
QTY 2

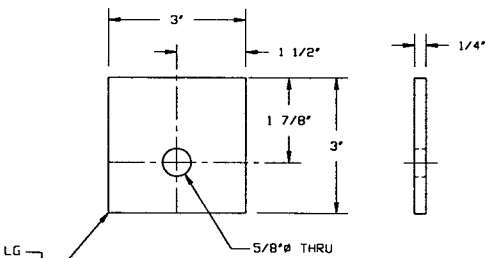


MAT'L ROUND BAR 2 1/2"x1 1/8" THK  
P/N C467932  
QTY 1



**DETAIL "8"**  
V049-4-107P8  
SCALE HALF

MAT'L BAR, SST 304, 1/4"x3"x3" LG  
P/N C387904-03  
QTY (1)



**DETAIL "6"**  
SCALE HALF

SEE SHEET 1 FOR REVISIONS

<b>PROCESS SYSTEMS INTERNATIONAL INC.</b> 20 WALKUP DR. WESTBOROUGH, MASSACHUSETTS 01581 USA			
<b>25 ION PUMP VALVE SUPPORT</b> <b>LIGD VACUUM EQUIPMENT</b>			
CAD FILE 4107S2	SIZE D	DWG. NO. V049-4-107	REV 1
SCALE AS NOTED	SHEET 2 OF 2		

JUN 28, 1997 - 091323