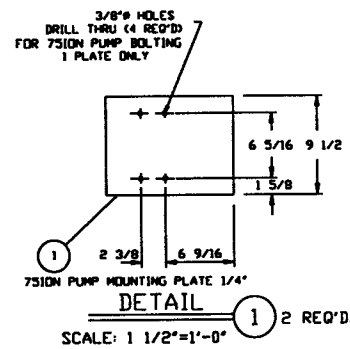
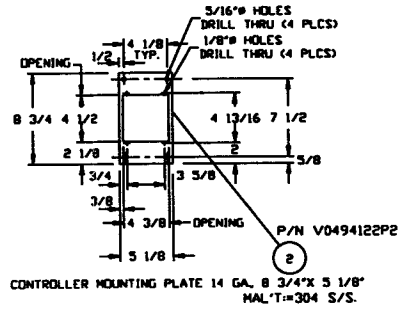


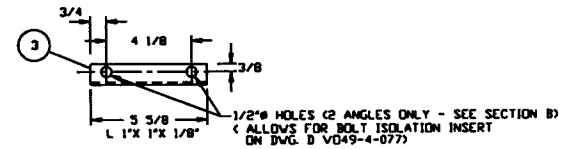
PLAN
SCALE: 1 1/2"=1'-0"
MATERIAL: 304 SS TL



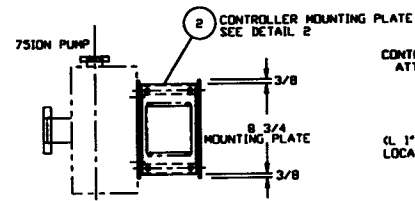
DETAIL 1
SCALE: 1 1/2"=1'-0"



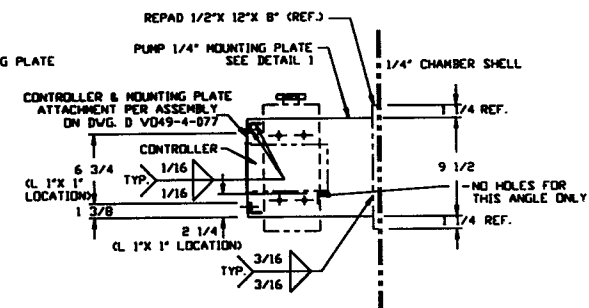
DETAIL 2
SCALE: 1 1/2"=1'-0"



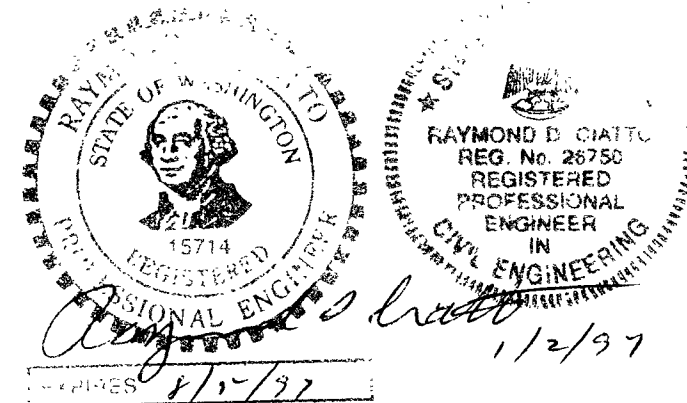
DETAIL 3
SCALE: 3"=1'-0"



ELEVATION A
SCALE: 1 1/2"=1'-0"



SECTION B
SCALE: 1 1/2"=1'-0"



D976424-00-V

<p>PROPRIETARY AND CONFIDENTIAL</p> <p>THIS DOCUMENT CONTAINS PROPRIETARY INFORMATION BELONGING TO PROCESS SYSTEMS INTERNATIONAL, INC. OR ITS AFFILIATED COMPANIES AND SHALL BE USED ONLY FOR THE PURPOSE FOR WHICH IT WAS SUPPLIED. IT SHALL NOT BE COPIED, REPRODUCED OR OTHERWISE USED, NOR SHALL SUCH INFORMATION BE FURNISHED IN WHOLE OR IN PART TO OTHERS EXCEPT IN ACCORDANCE WITH THE TERMS OF ANY AGREEMENT UNDER WHICH IT WAS SUPPLIED OR WITH THE PRIOR WRITTEN CONSENT OF PROCESS SYSTEMS INTERNATIONAL, INC. AND SHALL BE RETURNED UPON REQUEST.</p>				<p>UNLESS OTHERWISE SPECIFIED DIMENSIONS ARE IN INCHES</p> <p>TOLERANCES: FRACTIONAL ± J ANGULAR ± 0°-30' ± 0°-45' ± 0°-90' ± 0°-180' ± 0°-270' ± 0°-360' TWO PLACE DECIMAL ± .02 THREE PLACE DECIMAL ± .005 FINISHED SURFACE RMB BREAK CORNERS TO INDICATE ALL BURNS</p>				<p>DO NOT SCALE THIS DRAWING</p> <p>ISSUED FOR FABRICATION</p>				<p>PROCESS SYSTEMS INTERNATIONAL, INC. 20 WALCUP DR. WESTBOROUGH, MASSACHUSETTS 01581 USA</p> <p>BSC - 75 ION PUMP SUPPORT LIGO VACUUM EQUIPMENT</p>			
DWG. NO.	DESCRIPTION	DWG. NO.	DESCRIPTION	USED ON	REV	DESCRIPTION	CHKD	DRWN	DATE	DECD	CAD FILE	SIZE	DWG. NO.	REV.	
D V049-4-077	BSC-75 L/S ION PUMP	D V049-4-025	BSC-ANNULUS TUBING ASSEMBLY		0				7/16/96	0002	V0494122	D	V049-4-122	0	
NEXT ASS'Y: D V049-4-101											SCALE	AS NOTED	SHEET	1 OF 1	