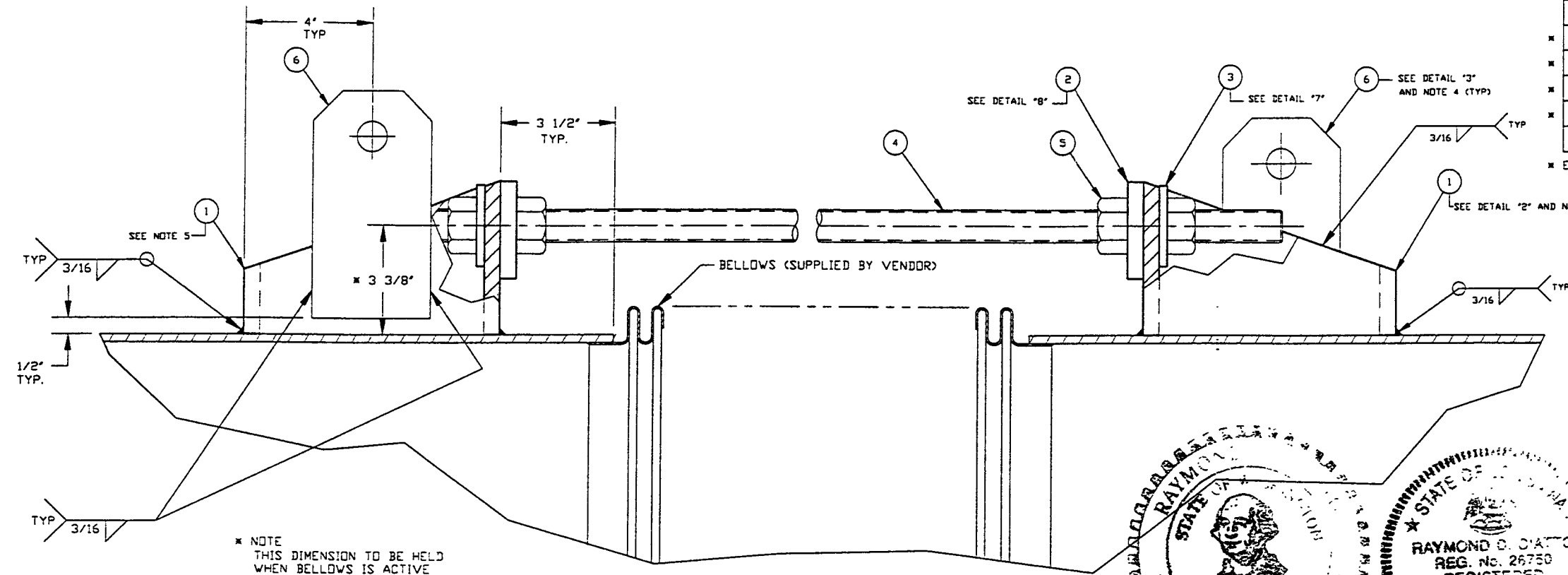
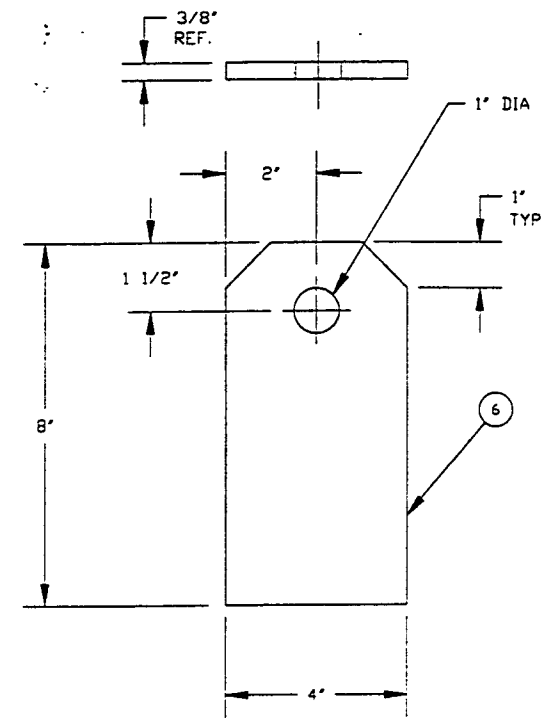
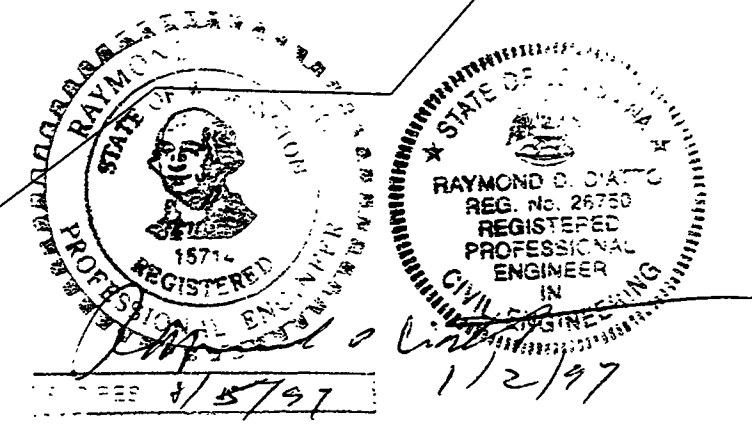


ITEM	PART NUMBER	SUFFIX	QTY	UM	DESCRIPTION
1	BY VENDOR		1	FT	TUBE STEEL, SST, 304, 1/2"x6"x8"
2			1	FT	FLAT BAR, STL, A588, 1/2"x3"
3			1	FT	FLAT BAR, STL, A588, 1/4"x4"
4			2	FT	ROD, THREAD, STL, A36 1"-8 UNC
5			4	EA	NUT, HEX, STL, A325, 1"-8 UNC
6	BY VENDOR		1.5	FT	FLAT BAR, SST, 304, 3/8"x4"

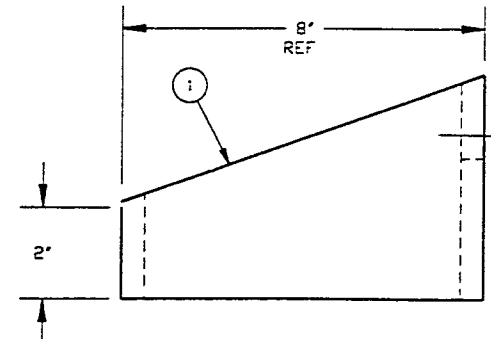
* ELECTROLESS NICKEL PLATE



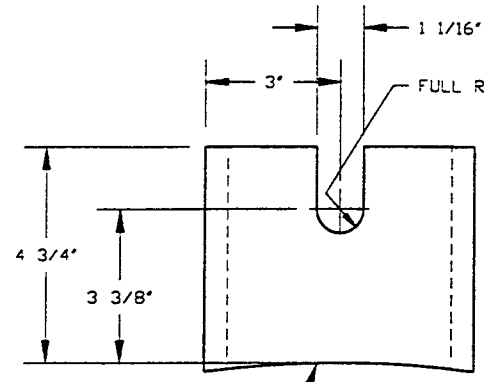
* NOTE THIS DIMENSION TO BE HELD WHEN BELLOWS IS ACTIVE



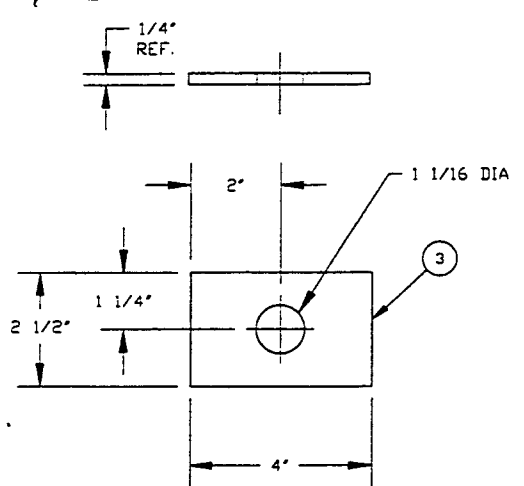
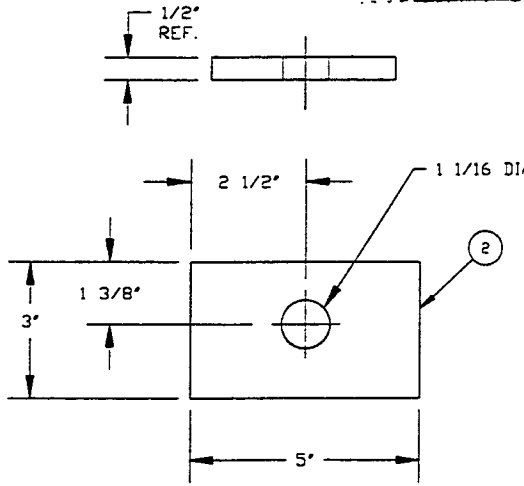
DETAIL "3"
LIFTING LUG
QTY: 2



DETAIL "2"
QTY: 2



DETAIL "8"
WASHER PLATE
QTY: 2



DETAIL "7"
WASHER PLATE
QTY: 2

- NOTES:
1. ALL MATERIALS PROVIDED BY BELLOWS VENDOR.
 2. CERTIFICATE OF COMPLIANCE REQUIRED FOR ALL MATERIAL EXCEPT ITEMS 1 & 6 REQUIRING CMTR
 3. DO NOT USE CARBON STEEL BRUSHES OR BRUSHES CONTAMINATED WITH CARBON STEEL ON STAINLESS OR ALUMINUM MATERIAL.
 4. ITEM 6 REQUIRED ONLY AS SHOWN PER SPOOL ARRANGMENT DWG'S.
 5. ITEM 1 MAY BE FABRICATED FROM FORMED PLATE AT VENDOR'S OPTION DESIGN SUBJECT TO PSI APPROVAL

Raymond D. Ciatto PE-WA.LIGO-D970426-00-V

<p>PROPRIETARY AND CONFIDENTIAL</p> <p>THIS DOCUMENT CONTAINS PROPRIETARY INFORMATION BELONGING TO PROCESS SYSTEMS INTERNATIONAL, INC. OR ITS AFFILIATED COMPANIES AND SHALL BE USED ONLY FOR THE PURPOSE FOR WHICH IT WAS SUPPLIED. IT SHALL NOT BE COPIED, REPRODUCED OR OTHERWISE USED, NOR SHALL SUCH INFORMATION BE FURNISHED IN WHOLE OR IN PART TO OTHERS EXCEPT IN ACCORDANCE WITH THE TERMS OF ANY AGREEMENT UNDER WHICH IT WAS SUPPLIED OR WITH THE PRIOR WRITTEN CONSENT OF PROCESS SYSTEMS INTERNATIONAL, INC. AND SHALL BE RETURNED UPON REQUEST.</p>				<p>UNLESS OTHERWISE SPECIFIED DIMENSIONS ARE IN INCHES</p> <p>TOLERANCES: FRACTIONAL ± .1 ANGULAR ± .5° TWO PLACE DECIMAL ± .03 THREE PLACE DECIMAL ± .015 FINISHED SURFACE RMS BREAK CORNERS 1/16" DIA. REMOVE ALL BURRS</p>				<p>DO NOT SCALE THIS DRAWING</p>				<p>RELEASED FOR FAB/INFC</p>				<p>CB POLDW/REG PV 9/11/96 0191</p>				<p>PROCESS SYSTEMS INTERNATIONAL, INC. 20 WALKER DR. WESTBOROUGH, MASSACHUSETTS 01581 USA</p>			
<p>DWG NO. DESCRIPTION DVC NO. DESCRIPTION</p>				<p>REVISIONS</p>				<p>ISSUE DESCRIPTION</p>				<p>BELLOWS TIE-ROD ASSEMBLY LIGO VACUUM EQUIPMENT</p>											
<p>SCALE HALF SHEET 1 OF 1</p>				<p>DATE 9/11/96</p>				<p>REV 0</p>				<p>DWG NO. V049-4-124</p>											

SEP 17 1996