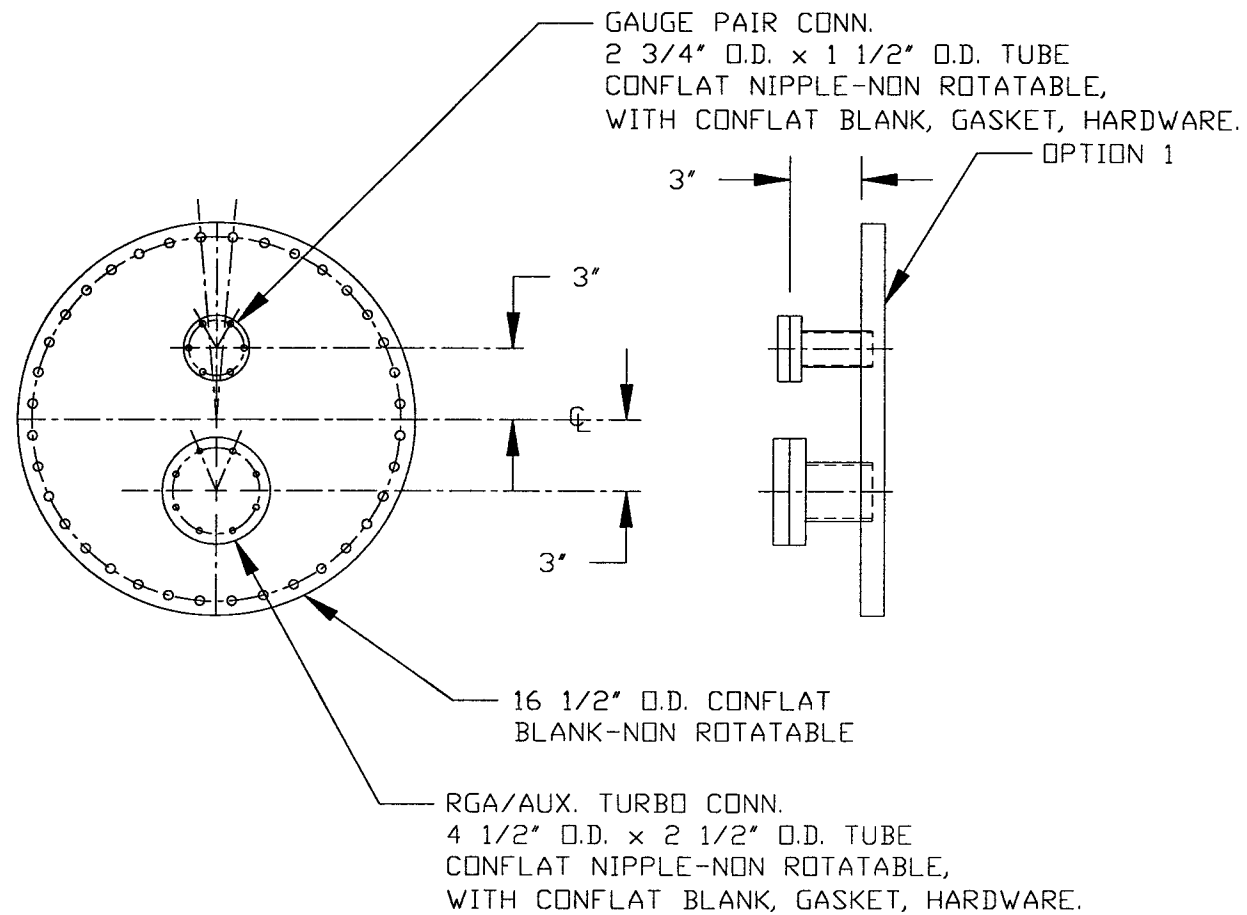


GAUGE PAIR/RGA/AUX. TURBO CONN

- WBSC2 LBSC2
- WBSC4 LBSC4
- WBSC5 LBSC5
- WBSC6
- WBSC7
- WBSC8
- WBSC9
- WBSC10

BOLT HOLES TO STRADDLE CENTERLINE AS SHOWN.



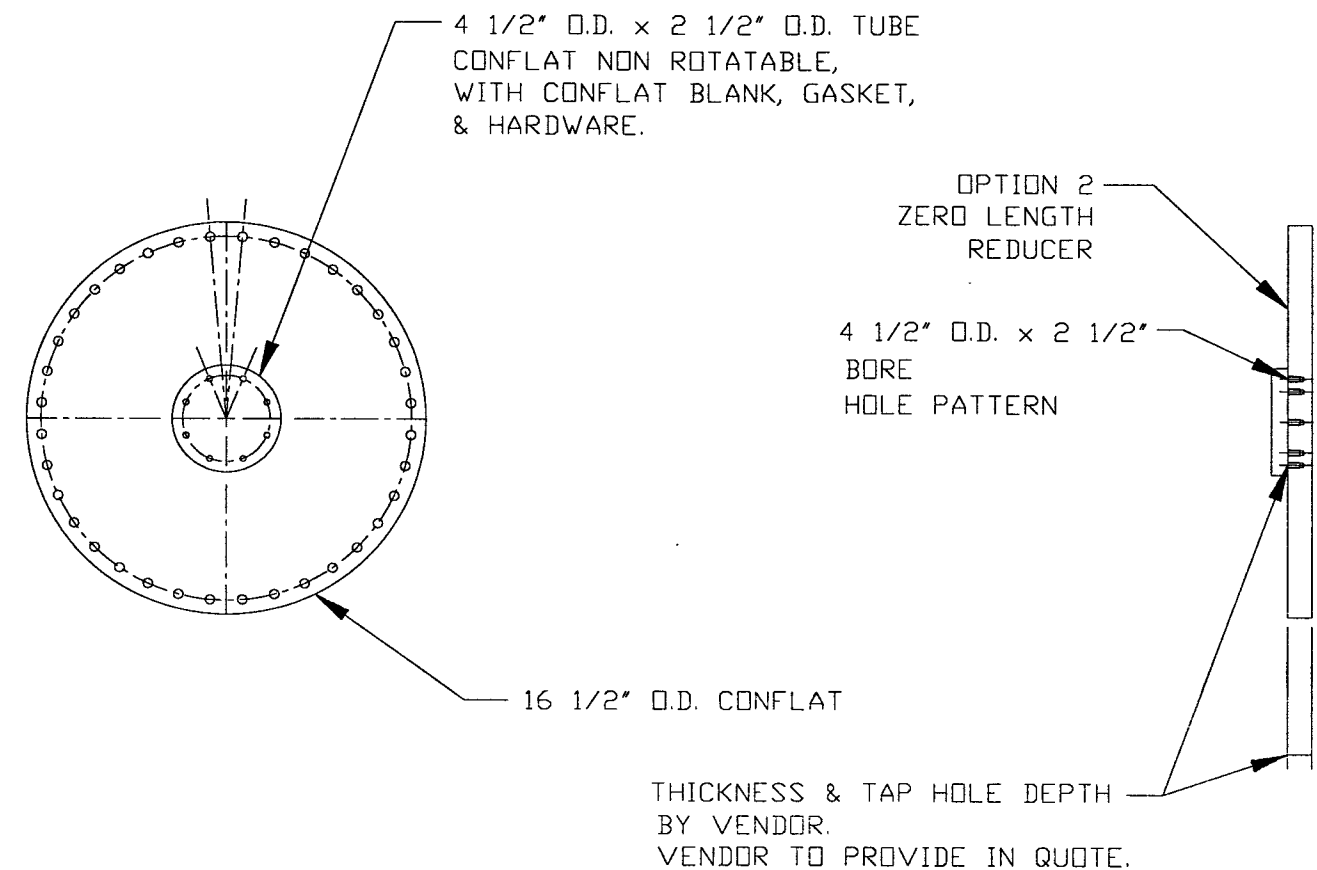
DETAIL "A"

11-REQUIRED
PER SPEC V049-2-037 CLASS T4
P/N V0494142 P1_3

RGA/AUX. TURBO CONN

- WBSC1 LBSC1
- WBSC3 LBSC3

BOLT HOLES TO STRADDLE CENTERLINE AS SHOWN.



DETAIL "B"

38-REQUIRED
PER SPEC V049-2-037 CLASS T4
P/N V0494142 P2_3

AIR SHOWER CONN

- WBSC1 LBSC1
- THRU THRU
- WBSC10 LBSC5
- WHAM1 LHAM1
- THRU THRU
- WHAM13 LHAM6

OPTION 2
ZERO LENGTH
REDUCER

4 1/2" O.D. x 2 1/2"
BORE
HOLE PATTERN

THICKNESS & TAP HOLE DEPTH
BY VENDOR.
VENDOR TO PROVIDE IN QUOTE.

0970430-02-V

PROPRIETARY AND CONFIDENTIAL
THIS DOCUMENT CONTAINS PROPRIETARY INFORMATION BELONGING TO PROCESS SYSTEMS INTERNATIONAL, INC. OR ITS AFFILIATED COMPANIES AND SHALL BE USED ONLY FOR THE PURPOSE FOR WHICH IT WAS SUPPLIED. IT SHALL NOT BE COPIED, REPRODUCED OR OTHERWISE USED, NOR SHALL SUCH INFORMATION BE FURNISHED IN WHOLE OR IN PART TO OTHERS EXCEPT IN ACCORDANCE WITH THE TERMS OF ANY AGREEMENT UNDER WHICH IT WAS SUPPLIED OR WITH THE PRIOR WRITTEN CONSENT OF PROCESS SYSTEMS INTERNATIONAL, INC. AND SHALL BE RETURNED UPON REQUEST.

UNLESS OTHERWISE SPECIFIED DIMENSIONS ARE IN INCHES
TOLERANCES:
FRACTIONAL ± 1
ANGULAR MACH ± 0°-30' BEND ± 2°
TWO PLACE DECIMAL ± .010
THREE PLACE DECIMAL ± .005
FINISHED SURFACE RMS
BREAK CORNERS IN OUT
REMOVE ALL BURRS
DO NOT SCALE THIS DWG.
USED ON:
NEXT ASS'Y:

REV	DESCRIPTION	CHKD	DRWN	DATE	DED#
2	ISSUED FOR FABRICATION / B105	PEF	GS	11/22/96	0403
1	RELEASED FOR PURCHASE	REC	PV	10/9/96	0207
0	FOR QUOTES	REC	PV	8/26/96	
	ISSUE DESCRIPTION				

PROCESS SYSTEMS INTERNATIONAL INC.
20 WALKUP DR. WESTBOROUGH, MASSACHUSETTS 01581 USA

16 1/2" O.D. CONFLAT REDUCING FLANGES
BSC'S
LIGD VACUUM EQUIPMENT

CAD FILE V0494142	SIZE B	DWG NO. V049-4-142	REV 2
SCALE 1 1/2"=1'-0"	SHEET 1 OF 1		