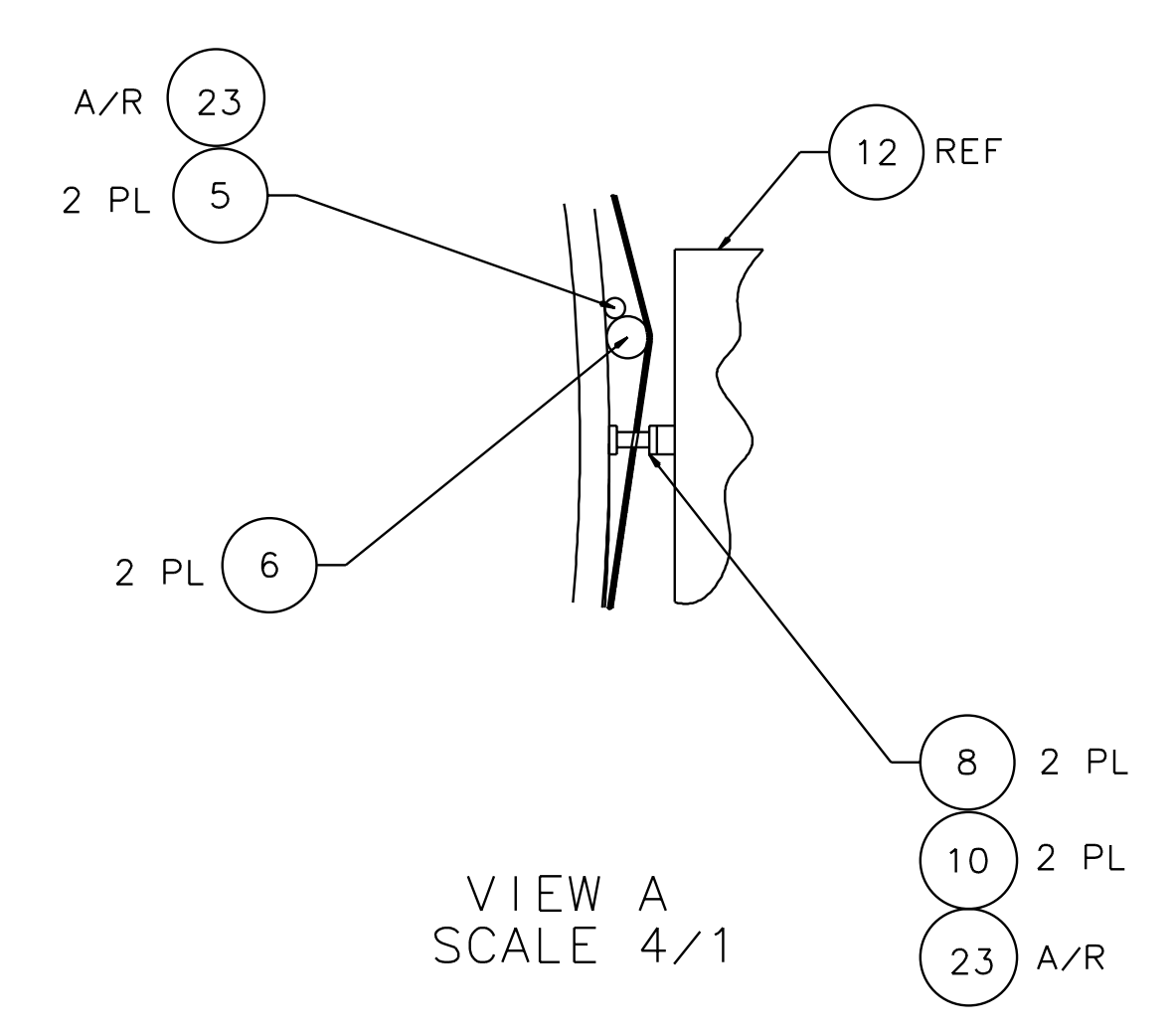
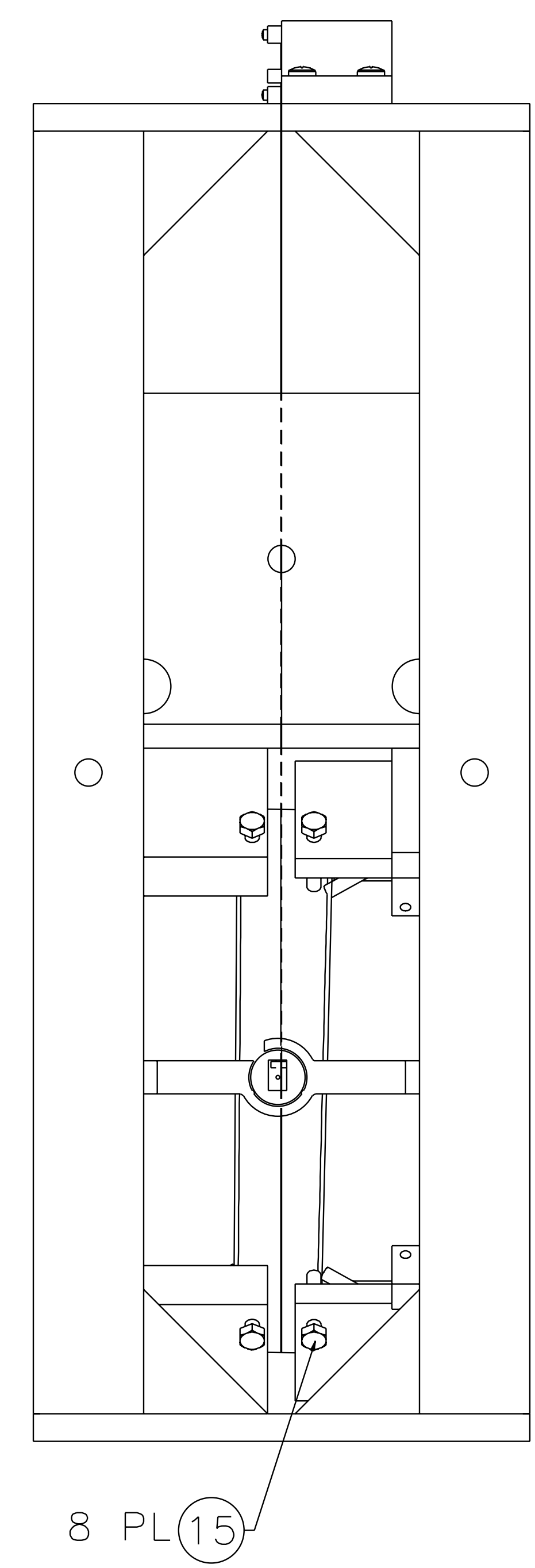
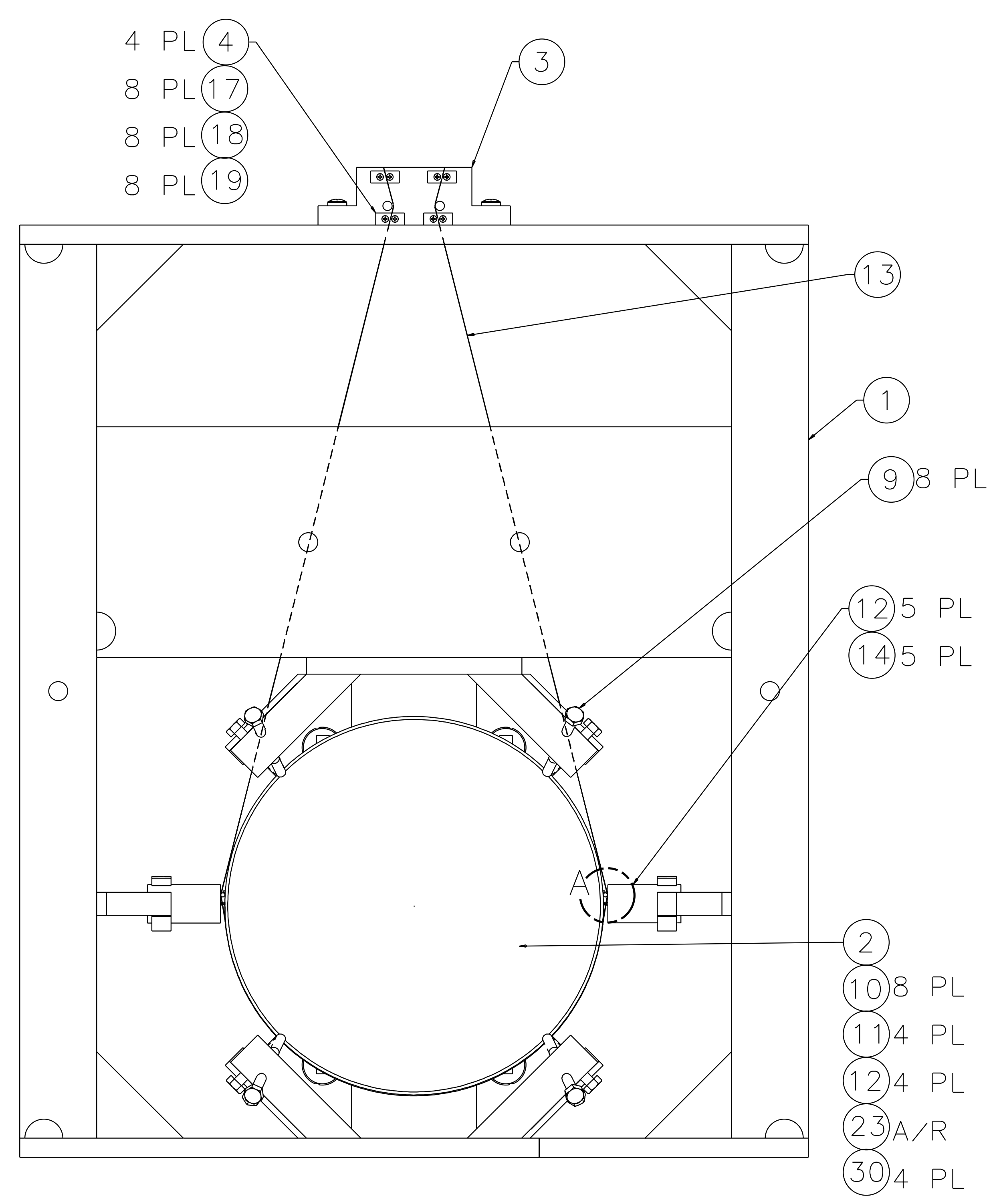
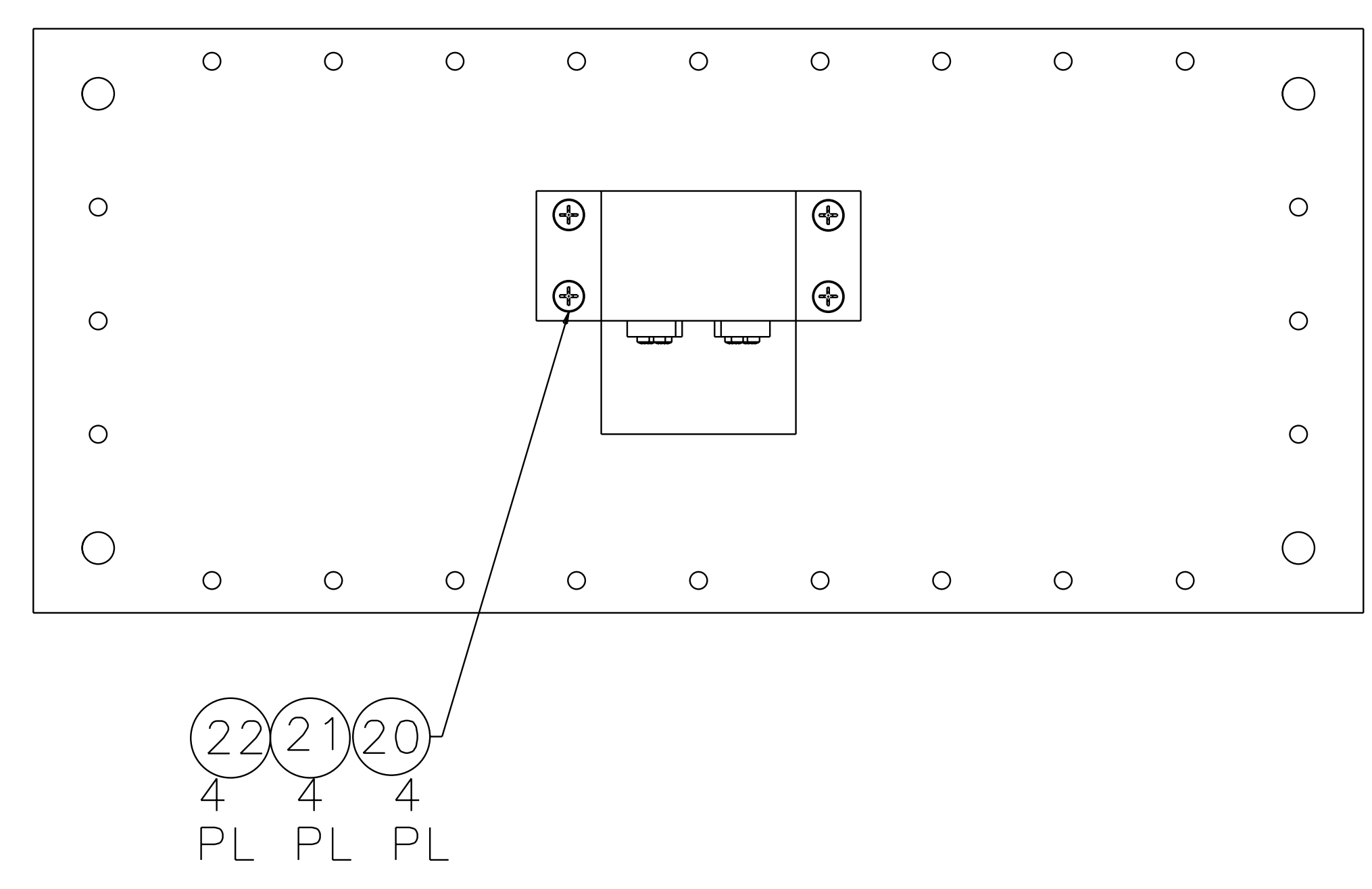
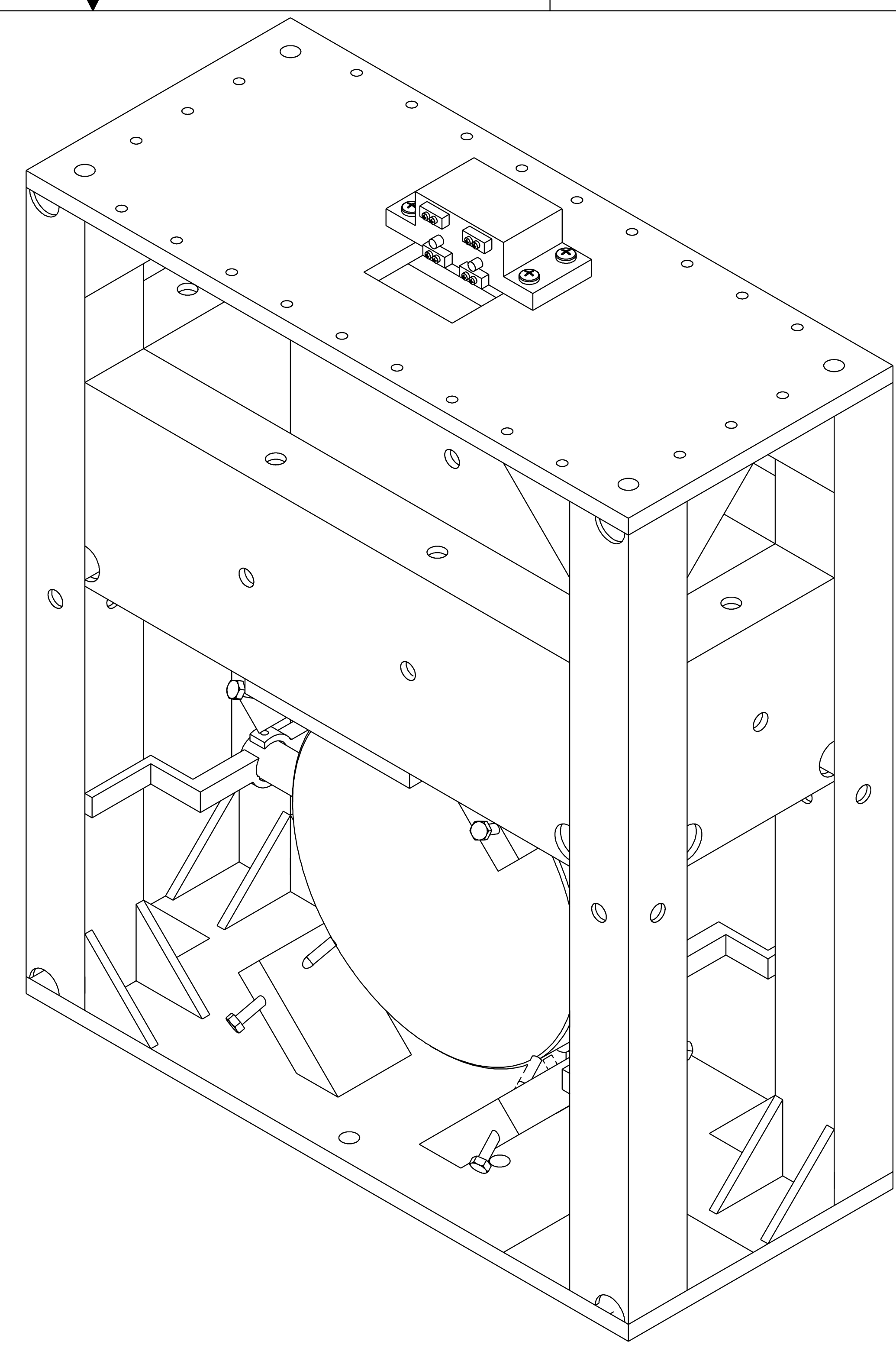


NOTES: (UNLESS OTHERWISE SPECIFIED)
 1. SPECIFICATIONS FOR THE CONSTRUCTION OF THIS ASSEMBLY ARE COVERED IN THE LARGE OPTIC SUSPENSION BALANCING SPECIFICATION, LIGO E970154.
 HEIGHT ADAPTER IS NOT SHOWN FOR CLARITY. IT IS BOLTED TO THE TOP OF THE LOS STRUCTURE ASSEMBLY USING THE HARDWARE ITEM NOS. 25-28. INSTRUCTIONS INCLUDED IN LIGO E970154.

REV	DATE	DRAWN BY	CHECKED	DCC	DCN/DESCRIPTION
A	4/27/01	J. Romie			E010077/INITIAL RELEASE



QTY	RECD	PART OR IDENTIFYING NO.	NOMENCLATURE OR DESCRIPTION	MATERIAL SPECIFICATION	ITEM NO.	
					41	
					40	
					39	
					38	
					37	
					36	
		D970180	WINCH FIXTURE		35	
		D970550	FIXTURE, GUIDE ROD		34	
		D990190	FIXTURE, MAG./STAND.GLUING,BS		33	
		D970169	MAGNET STRENGTH FIXTURE		32	
		D970616	COIL STRENGTH FIXTURE		31	
		D970615	PAM SCREW		30	
					29	
		24	1/4-20 x 1.5 LG SHCS	STAINLESS	28	
		24	1/4-20 LOCK WASHER	STAINLESS	27	
		24	1/4-20 FLAT WASHER	STAINLESS	26	
		24	U-C COMPONENTS P/N N-2520-A	1/4-20 HEX NUT	STAINLESS,Ag PLTD	25
		1	D970554	HEIGHT ADAPTER, BS,4K	(2)	24
		A/R		EPOXY, VAC-SEAL		23
		4	COMMERCIAL EQUIV NAS620416L	WASHER, FLAT, #1/4	STAINLESS	22
		4	COMMERCIAL EQUIV MS35338-139	WASHER, SPLIT LOCK, #1/4	STAINLESS	21
		4	U-C COMPONENTS P/N C-2016-NA	SCREW, SHCS, 1/4-20 x 1.00	STAINLESS,Ag PLTD	20
		8	COMMERCIAL EQUIV NAS620C4L	WASHER, FLAT, #4	STAINLESS	19
		8	COMMERCIAL EQUIV MS35338-135	WASHER, SPLIT LOCK, #4	STAINLESS	18
		8	U-C COMPONENTS P/N C-408-NA	SCREW, SHCS, 4-40 x .50	STAINLESS,Ag PLTD	17
					16	
		8	D970563	BEAMSPLITTER SAFETY STOP		15
		6	U-C COMPONENTS P/N T-1003-NA	SET SCREW, SOCKET,10-32 x .188	STAINLESS,Ag PLTD	14
		A/R		WIRE, $\phi.008^* \pm .0003^*$	MUSIC WIRE	13
		5	D960138	SENSOR/ACTUATOR HEAD ASSEMBLY		12
		4	D970075	DUMBELL STANDOFF		11
		10	D960501	MAGNET		10
		8	D970562	BEAMSPLITTER CHAMFER STOP		9
		2	D960149	LOS SIDE STANDOFF		8
					7	
		2	D960755	LOS LARGE WIRE STANDOFF		6
		1	D960146	LOS GUIDE ROD		5
		4	D960134	LOS CLAMP, SUSPENSION BLOCK		4
		1	D970540	BEAMSPLITTER SUSPENSION BLOCK		3
		1	COATING SPEC E980069	OPTIC, $\phi 25\text{cm} \times 4\text{cm}$ THICK	(BEAMSPLITTER, 4K)	2
		1	D970506	LOS2 STRUCTURE ASSEMBLY		1

UNLESS OTHERWISE SPECIFIED DIMENSIONS ARE IN INCHES TOLERANCES ARE: FRACTIONS DECIMALS ANGLES	APPROVALS	DATE	LIGO CALIFORNIA INSTITUTE OF TECHNOLOGY MASSACHUSETTS INSTITUTE OF TECHNOLOGY
DO NOT SCALE DRAWING	DRAWN J. Hozeil	5/96	TITLE LARGE OPTIC SUSPENSION ASSEMBLY (LOS2) FOR BEAMSPLITTER, 4K (BS, 4K)
NEXT ASSEMBLY FINAL	CHECKED		SIZE E
FILE LOCATION home/dcc/docs/0970505.pdf			SCALE 1/2
			REV A
			SHEET 1 OF 1