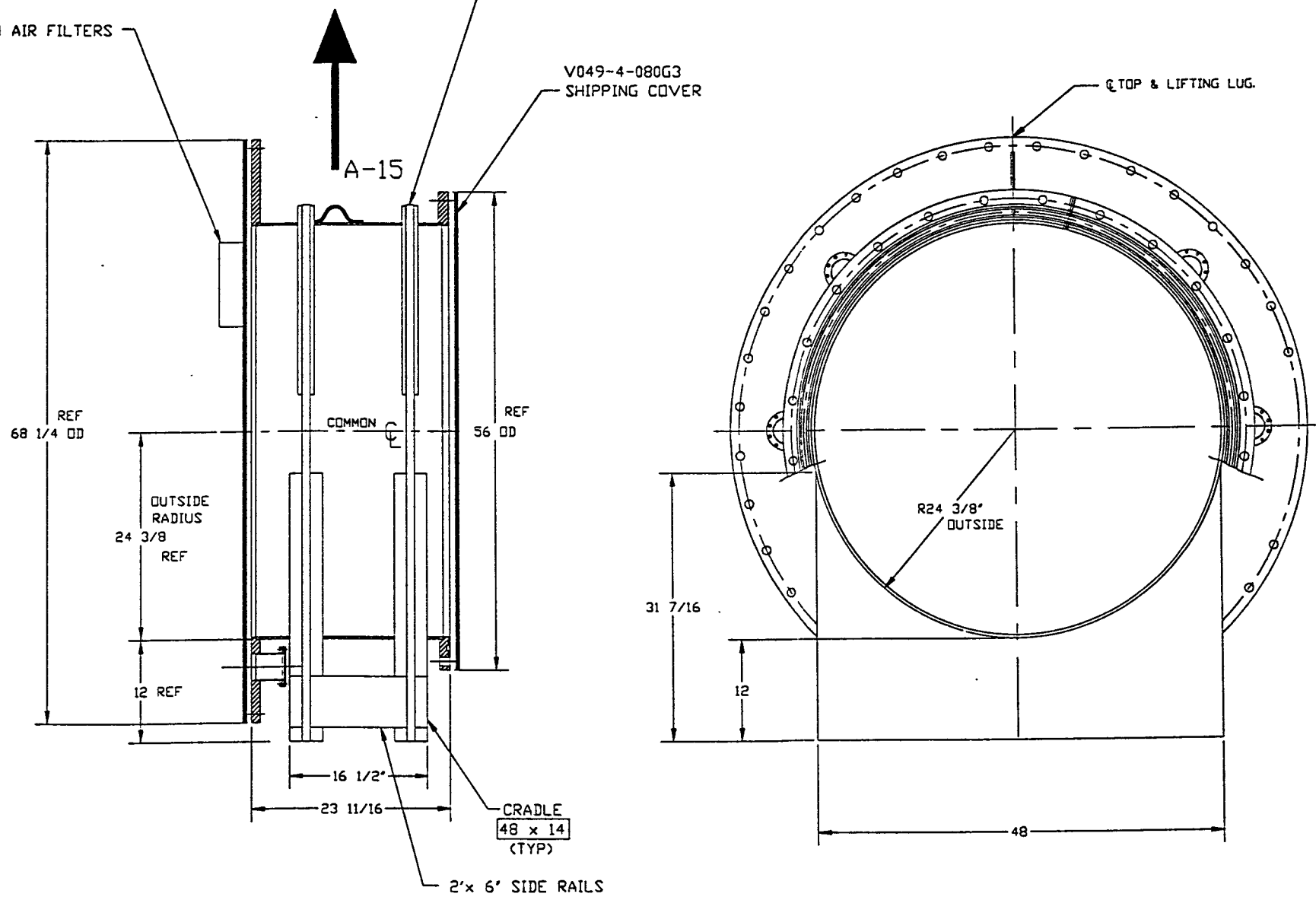


V049-4-059G4
SHIPPING COVER WITH AIR FILTERS

STRAP CRADLE TO SPOOL
OUTSIDE PLASTIC WRAP AND
2" FOAM STRIPS. (TYPICAL 3 PLACES)

V049-4-080G3
SHIPPING COVER

@ TOP & LIFTING LUG.



PACKAGING/LIFTING/SHIPPING INSTALLATION

1. REFERENCE DOCUMENTS
COMPONENT PACKAGING, HANDLING, SHIPPING
PROCEDURE - V049-2-123
CONTAMINATION CONTROL PLAN - V049-2-119
2. ENTIRE VESSEL TO BE SHRINK WRAPPED WITH 2 LAYERS
OF 6 MIL POLYETHYLENE.
3. VESSEL TO BE MOUNTED ON TRAILER IN
ORIENTATION SHOWN.
4. REMOVE FROM TRAILER AT SITE BY LIFTING
AT LOCATIONS SHOWN.
5. SECURELY ATTACH THESE LIFTING INSTRUCTIONS
TO VESSEL IN A WATER PROOF
POLYETHYLENE BAG.
6. VESSEL TO BE SHIPPED STRAPPED TO TRUCK AT
CRADLE LOCATIONS SHOWN.
7. COVER WITH CLEAN TIGHT TARPS DURING SHIPPING.
8. VESSEL TO BE SHIPPED VIA AIR RIDE
TRAILOR ONLY.
9. CARE TO BE TAKEN DURING LIFTING TO AVOID
HITTING OR RUBBING AGAINST ANY NOZZLES.

NOTE: THE TRUCK DRIVER IS TO
ADD PROPER BRACING TO
PREVENT FORWARD OR AFT
MOVEMENT OF THE VESSEL
DURING SHIPMENT.

NOTE: ADAPTERS A-3 & A12 ALSO USE
(2) TYPE 48X14 CRADLES EA.
OVERALL LENGTH OF A-3 & A12 = 46" EA.

SHT 9 OF 14 APPROX. WEIGHT: 1025# EA.

PROPRIETARY AND CONFIDENTIAL
THIS DOCUMENT CONTAINS PROPRIETARY
INFORMATION BELONGING TO PROCESS
SYSTEMS INTERNATIONAL, INC. OR ITS
AFFILIATED COMPANIES AND SHALL BE
USED ONLY FOR THE PURPOSE FOR
WHICH IT WAS SUPPLIED. IT SHALL NOT
BE COPIED, REPRODUCED OR OTHERWISE
USED, NOR SHALL SUCH INFORMATION BE
FURNISHED IN WHOLE OR IN PART TO
OTHERS EXCEPT IN ACCORDANCE WITH THE
TERMS OF ANY AGREEMENT UNDER WHICH
IT WAS SUPPLIED OR WITH THE PRIOR
WRITTEN CONSENT OF PROCESS SYSTEMS
INTERNATIONAL, INC. AND SHALL BE
RETURNED UPON REQUEST.

DWG. NO.	DESCRIPTION	DWG. NO.	DESCRIPTION
	REFERENCE DRAWINGS		

PROCESS SYSTEMS INTERNATIONAL, INC. 20 WALKUP DR. WESTBOROUGH, MASSACHUSETTS 01581 USA			
ADAPTER A-15 ADAPTER A-3 ADAPTER A-12 LIGO VACUUM EQUIPMENT			
CAD FILE V0494230	SIZE D	DWG. NO. V049-4-230	REV 0
SCALE 1-1/2" = 1"	SHEET 1 OF 1	DATE 6/12/97	ISSUE DESCRIPTION ISSUED FOR SHIPPING

1190-0970526-00-V