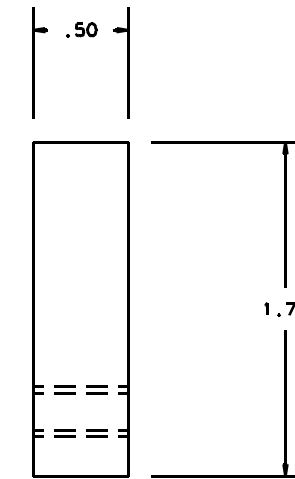
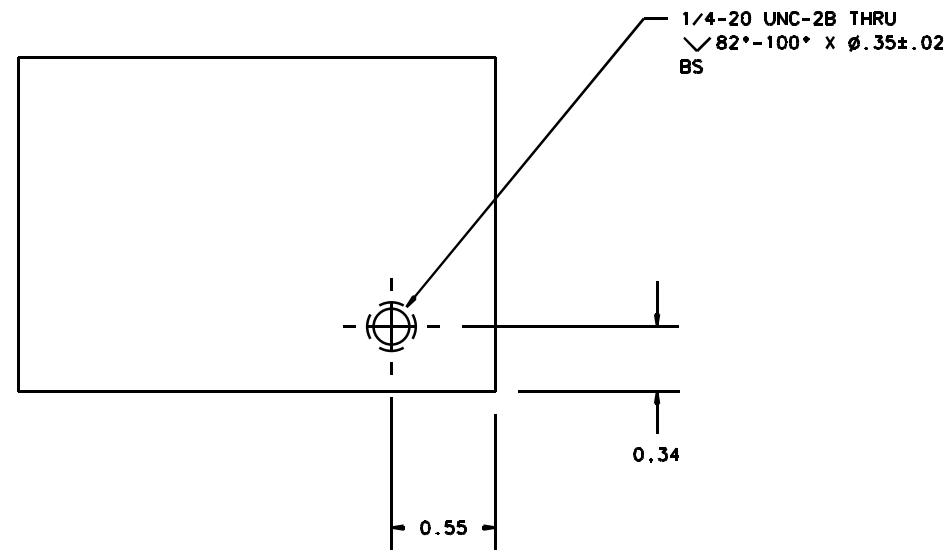
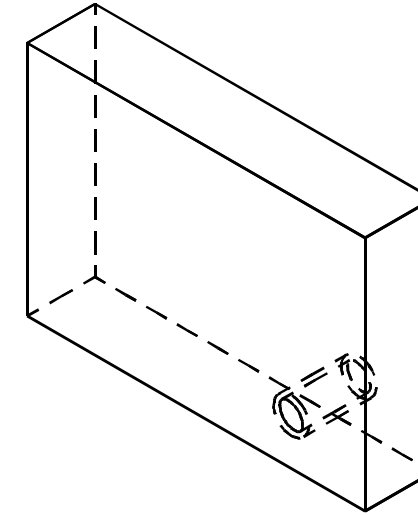
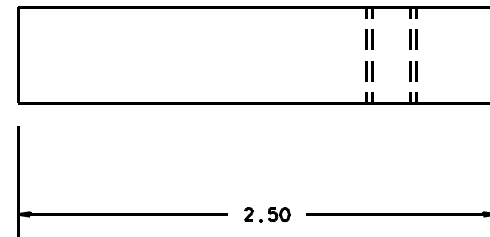


NOTES: (UNLESS OTHERWISE SPECIFIED)  
 1. BREAK ALL SHARP EDGES.

REV	DATE	DRAWN BY	CHECKED	DCC	DCN/DESCRIPTION
A	8/10/98	C. Conley			E980218-00/INITIAL RELEASE



QTY	REQD	FSCM NO	PART OR IDENTIFYING NO	PART	NOMENCLATURE OR DISCRPTION	MATERIAL SPECIFICATION	ITEM NO
-	-	-	-	-	-	304 STAINLESS STEEL	-
PARTS LIST							
DRWN	C. Conley	DATE	8/10/98	CALIFORNIA INSTITUTE OF TECHNOLOGY MASSACHUSETTS INSTITUTE OF TECHNOLOGY <b>LIGO PROJECT</b>			
CHKD		1-Deas CAD file: D970547_A.dwg dcc file: D970547-A.pdf					
ENGR		TITLE					
APPD		UNLESS OTHERWISE SPECIFIED: DIMENSION UNITS ARE inch (mm) TOLERANCES ARE: X.XXX: ± 0.005 X.XX: ± 0.01 ANGLES: ± 0.5°					
NEXT ASSEMBLY: D970506				SCALE: NTS	SIZE	DRAWING NUMBER	SHEET
				B	D970547-A-D	1	1 OF 1