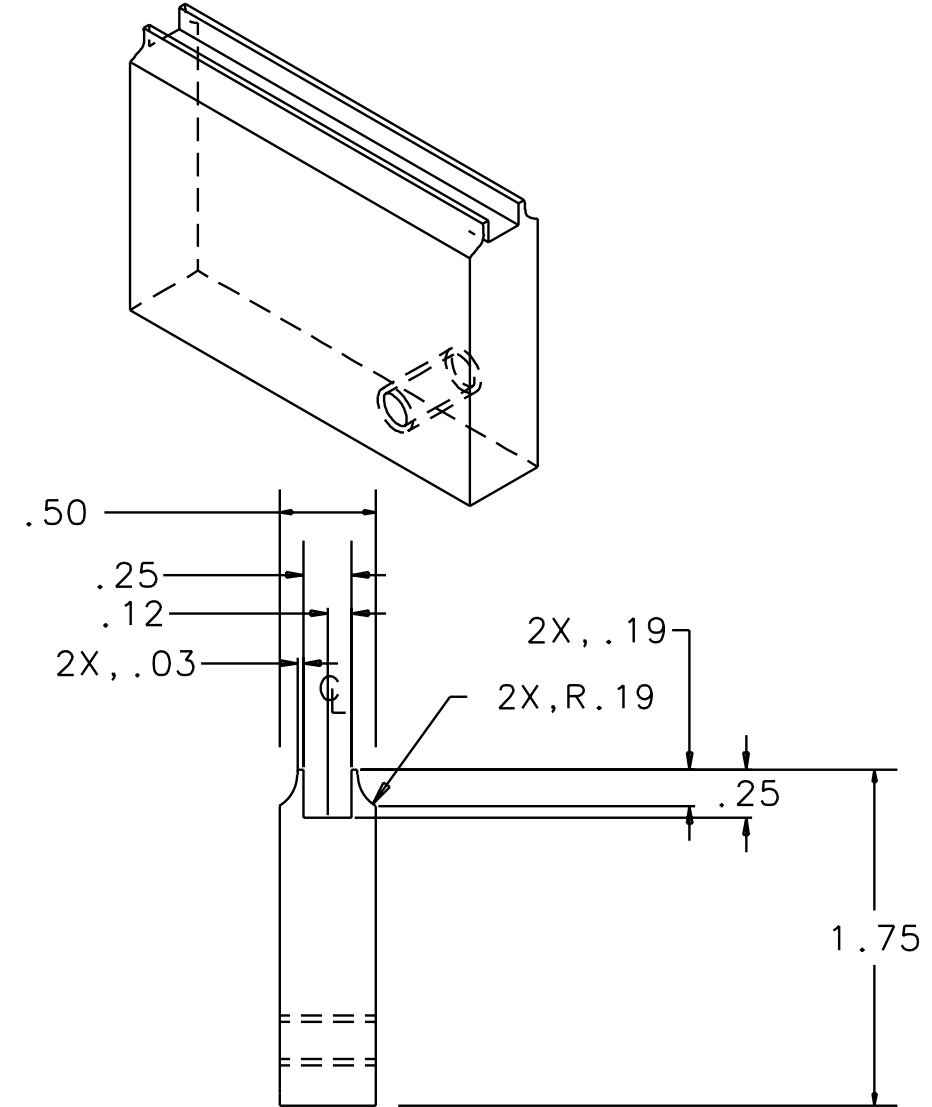
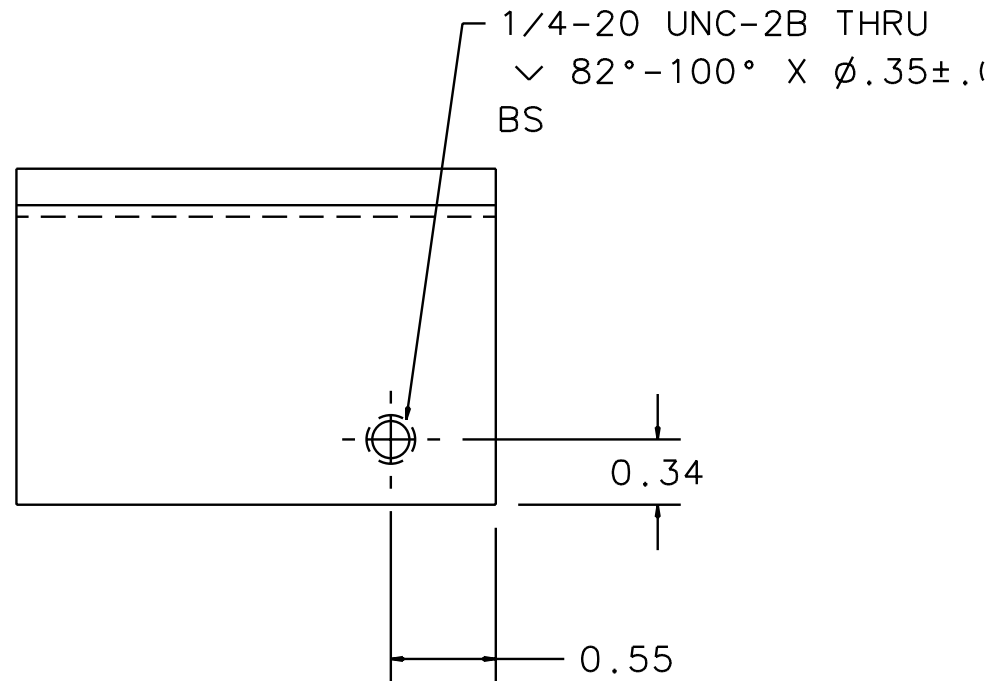
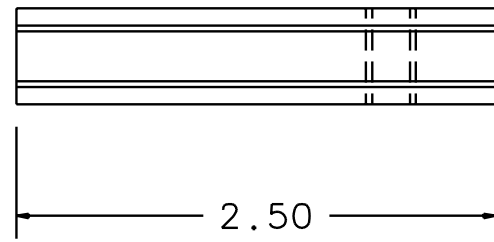


NOTES: (UNLESS OTHERWISE SPECIFIED)
 1. BREAK ALL SHARP EDGES.

REV	DATE	DRAWN BY	CHECKED	DCC	DCN/DESCRIPTION
A	8/10/98	C. Conley	D. Coyne		E980218-00/INITIAL RELEASE
B	8/23/98	C. Conley			E980230-00/VENTING SLOT ADDED
C	12/12/01	J.Romie			E010369/ADD J PREP



QTY REQD	FSCM NO	PART OR IDENTIFYING NO	PART	NOMENCLATURE OR DISCIPTION	MATERIAL SPECIFICATION	ITEM NO
-	-	-	-	304 STAINLESS STEEL	-	-
PARTS LIST						
DRWN	C. Conley	DATE	8/10/98	CALIFORNIA INSTITUTE OF TECHNOLOGY MASSACHUSETTS INSTITUTE OF TECHNOLOGY LIGO PROJECT		
CHKD		1-Deas CAD file: D970547_B.dwg				
ENGR		dcc file: D970547-B.pdf				
APPD		TITLE				
UNLESS OTHERWISE SPECIFIED:				LOS2 SAFETY STOP BRACKET REAR		
DIMENSION UNITS ARE inch (mm)				SCALE: NTS		
TOLERANCES ARE:				SIZE		
X.XXX: ± 0.005				DRAWING NUMBER		
X.XX: ± 0.01				D970547-C-D		
ANGLES: ±0.5°				SHEET		
NEXT ASSEMBLY: D970506				1 of 1		