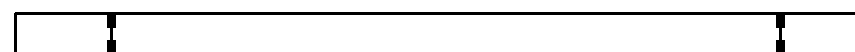
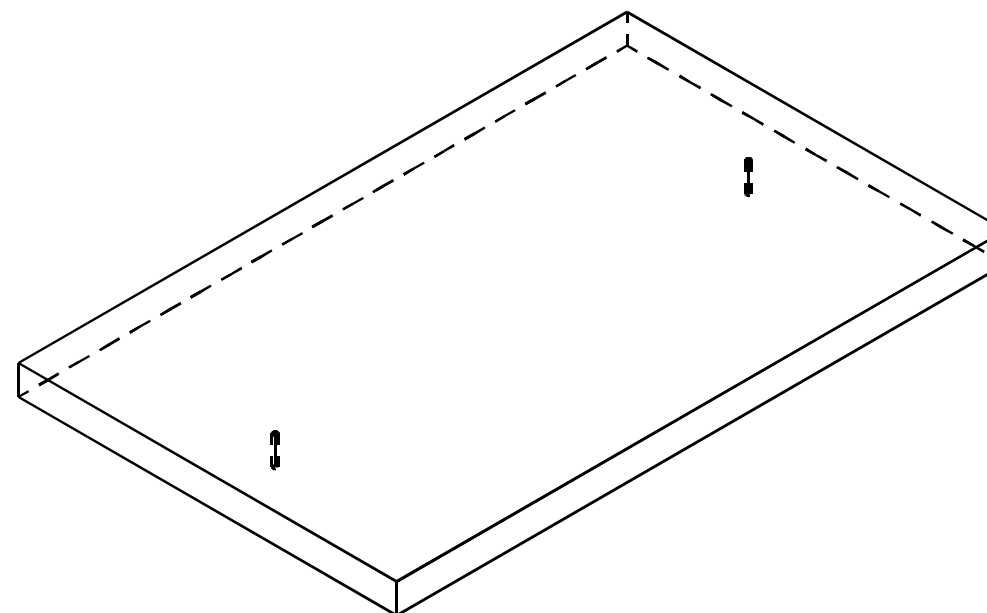
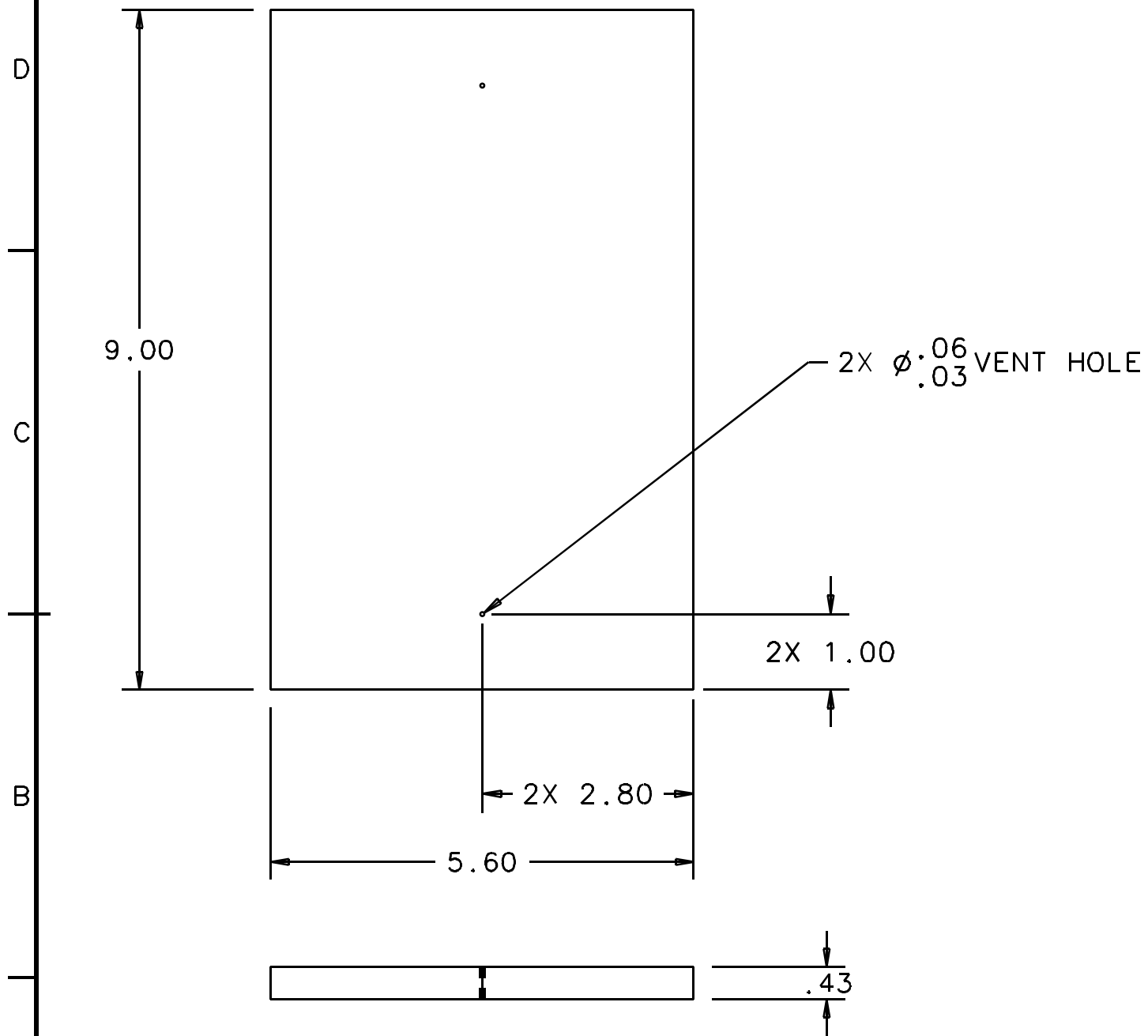


NOTES: (UNLESS OTHERWISE SPECIFIED)  
 1. BREAK ALL SHARP EDGES.

REV	DATE	DRAWN BY	CHECKED	DCC	DCN/DESCRIPTION
A	8/18/98	C. Conley			E980078-00/INITIAL RELEASE



QTY	REQD	FSCM NO	PART OR IDENTIFYING NO	PART	NOMENCLATURE OR DESCRIPTION	MATERIAL SPECIFICATION	ITEM NO
-	-	-	-	-	-	304 STAINLESS STEEL	-
PARTS LIST							
DRWN	C. Conley	DATE	8/18/98	CALIFORNIA INSTITUTE OF TECHNOLOGY MASSACHUSETTS INSTITUTE OF TECHNOLOGY			
CHKD				LIGO PROJECT			
ENGR							
APPD				1-Deas CAD file: D970549_A.dwg dcc file: D970549-A.pdf			
UNLESS OTHERWISE SPECIFIED:				TITLE			
DIMENSION UNITS ARE inch (mm)				LOS2 STIFFENER ADAPTER PLATE			
TOLERANCES ARE:				SCALE: 1/2			
X.XXX: ± 0.005				SIZE DRAWING NUMBER			
X.XX: ± 0.01				B D970549-A-D			
ANGLES: ± 0.5°				SHEET			
NEXT ASSEMBLY: D970506				1 OF 1			